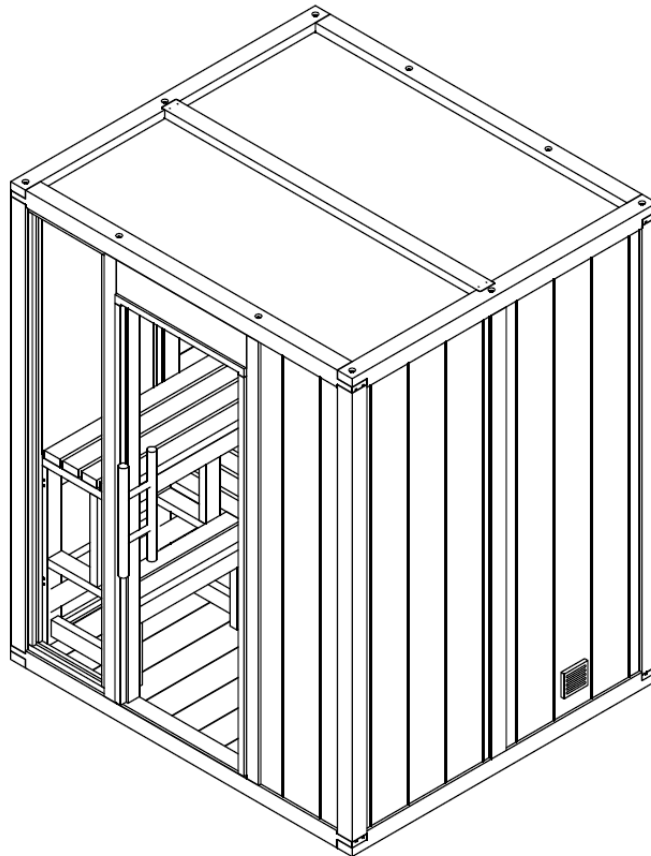


# **MOD4**

# **ASSEMBLY INSTRUCTIONS**

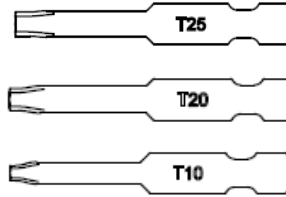
# **BASE SAUNA**



# TOOLS & NOTES

## REQUIRED TOOLS

- 9/16" SOCKET
- SOCKET WRENCH
- T25 TORX BIT - INCLUDED
- T20 TORX BIT - INCLUDED
- T10 TORX BIT - INCLUDED
- LADDER



## RECOMMENDED TOOLS

- IMPACT DRIVER
- MALLET
- LEVEL

## SAFETY NOTES

**TWO (2)** PEOPLE WILL BE NEEDED TO ASSEMBLE THE SAUNA. IT IS RECOMMENDED TO HAVE 3 PEOPLE FOR ASSEMBLY.

SOME PARTS OF THE SAUNA ARE HEAVY. TAKE CARE WHEN LIFTING.

HANDLE THE DOOR AND WINDOWS WITH CARE.

## INSTALLATION NOTES

ALL THE POSTS, BEAMS, & PANELS ARE LABELED TO WHERE THEY NEED TO BE INSTALLED. SOME PARTS MAY LOOK DIFFERENT THAN WHAT IS SHOWN IN THIS MANUAL.

CONSULT YOUR HEATER MANUAL AND MOD4 LAYOUT PLAN BEFORE BUILDING AS YOU WILL NEED TO PLAN WHERE TO RUN THE WIRES FOR AN ELECTRIC HEATER.

A CERTIFIED ELECTRICIAN SHOULD INSTALL THE ELECTRIC HEATER AND ANY OTHER ELECTRONICS SUCH AS LIGHTING.

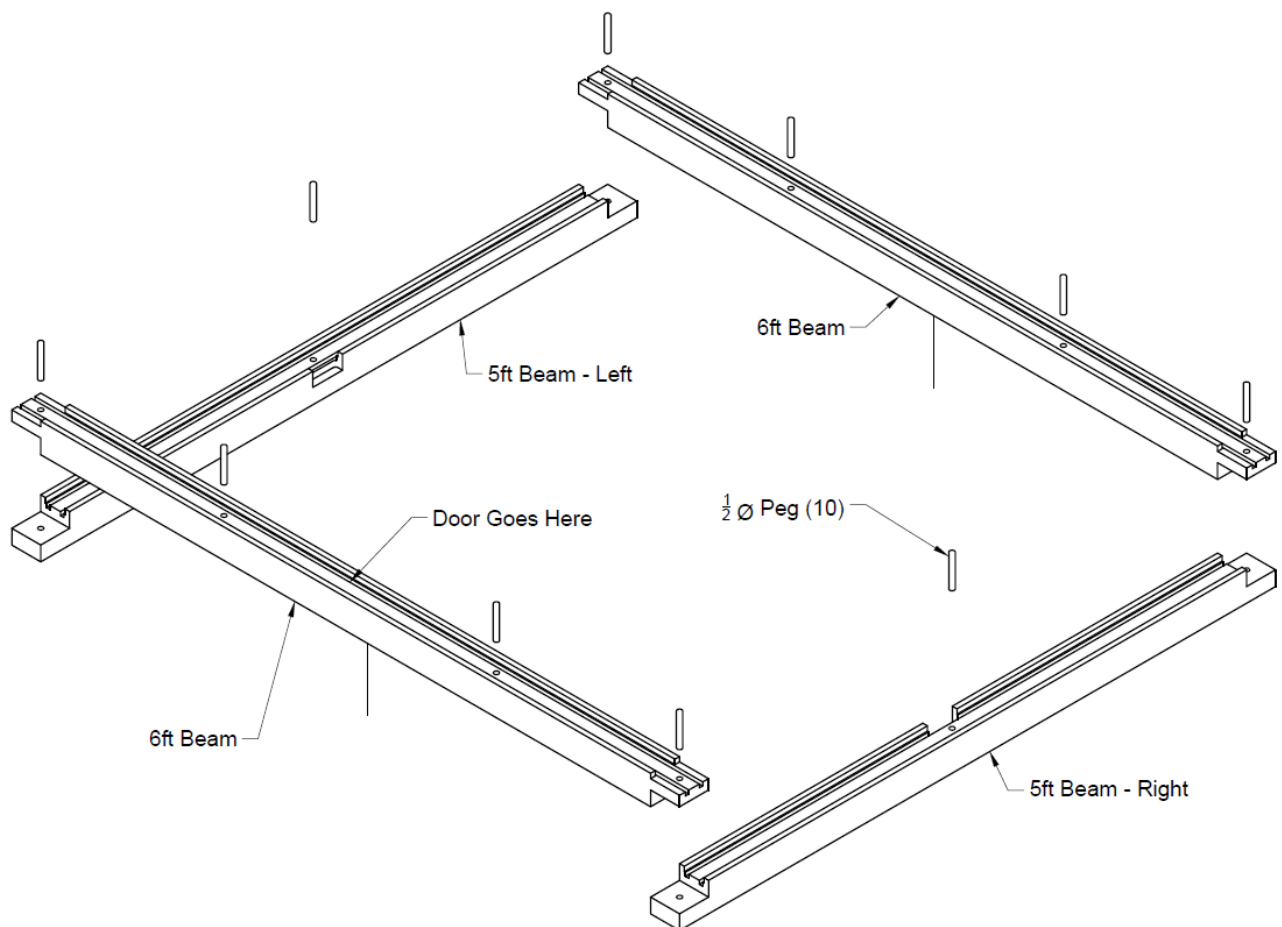
# ASSEMBLY INSTRUCTIONS

THE MOD4 IS DESIGNED TO BE INSTALLED CLOCKWISE STARTING FROM THE DOOR. PANELS SHOULD FIT SNUGLY AND MAY REQUIRE SOME GENTLE MANIPULATION TO FIT PROPERLY IN PLACE

## STEP 1

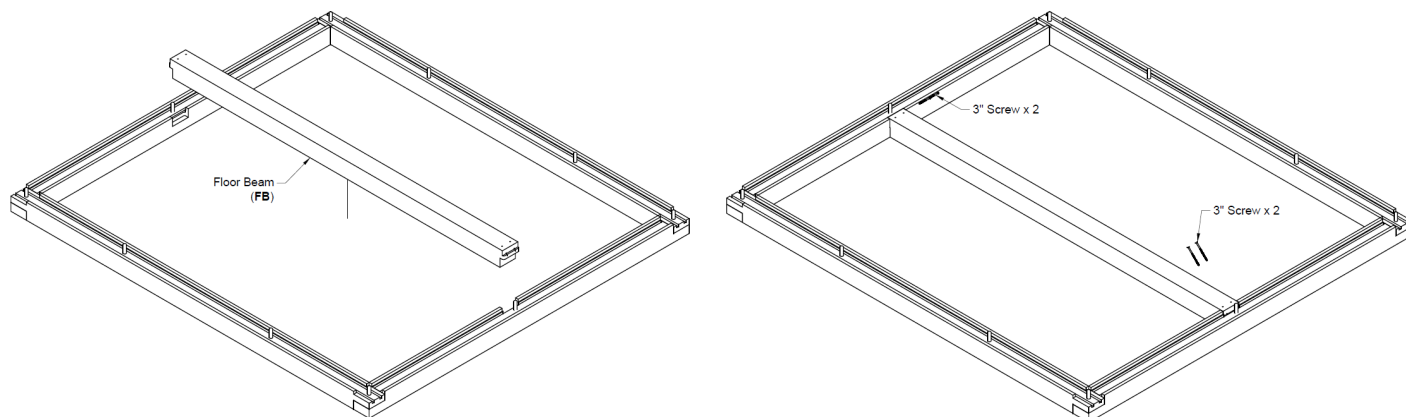
LAYOUT THE BEAMS IN THE CONFIGURATION SHOWN BELOW. MAKE SURE THE CHANNEL WITH HOLES ARE ON THE OUTER SIDE OF THE BEAMS THEN INSERT THE PEGS.

ONCE THE BEAMS ARE IN PLACE, YOU WILL NEED TO START RUNNING WIRES FOR THE HEATER AND OTHER ITEMS REQUIRING POWER (e.g. HEATER CONTROLLER, LIGHTING). PLEASE MAKE SURE TO LEAVE ENOUGH WIRE LENGTH TO RUN THE WIRING UP THE POSTS LATER.

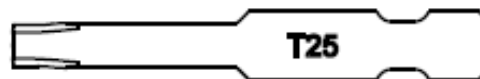


## STEP 2

INSTALL THE FLOOR BEAM (**FB**) BY INSERTING IT INTO THE NOTCHES IN THE BOTTOM BEAMS. THEN SCREWING DOWN EACH SIDE.

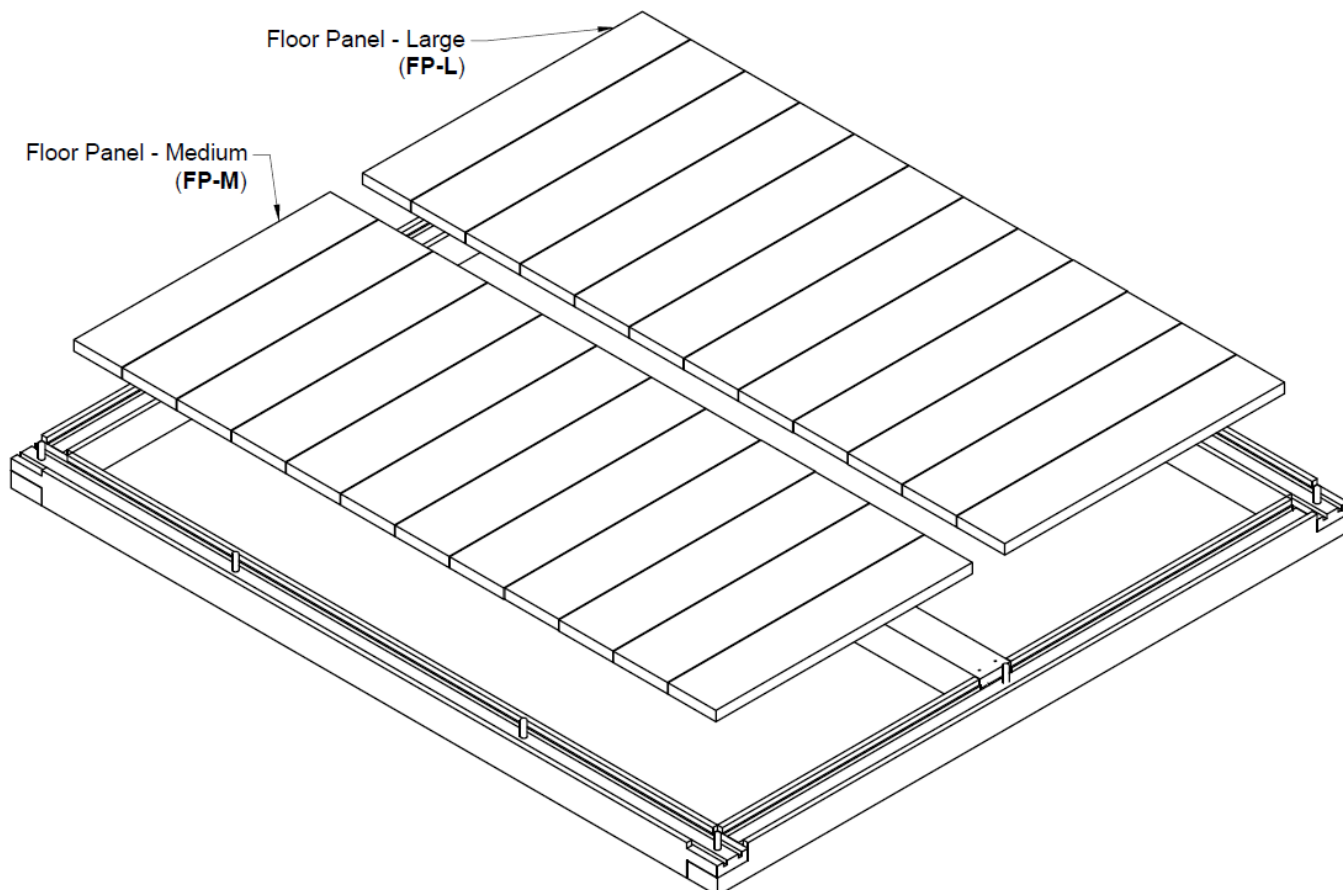


THE SCREWS ARE 3" TORX SCREWS. USE THE T25 TORX BIT.



## STEP 3

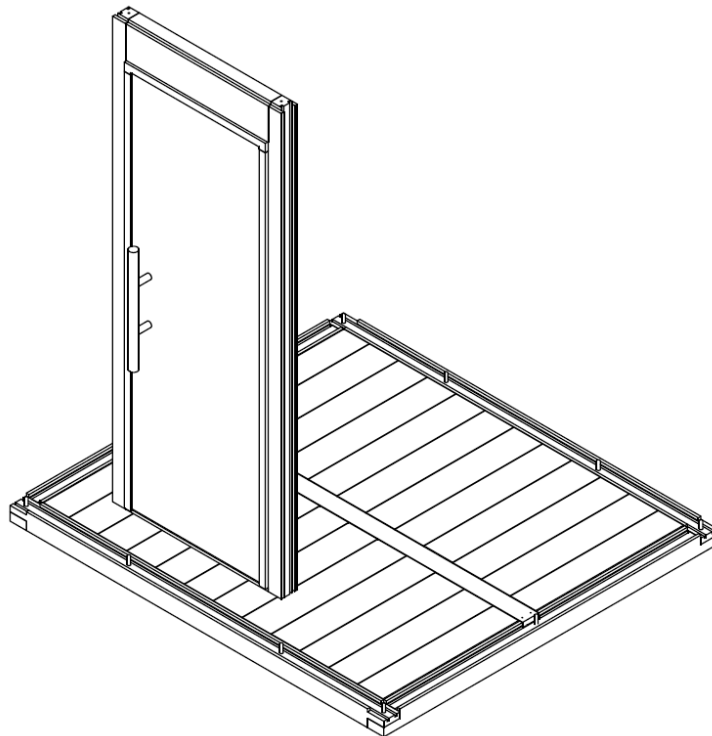
DROP THE MEDIUM (**FP-M**) AND LARGE (**FP-L**) FLOOR PANELS INTO PLACE. IT'S EASIEST TO LOWER A LONG EDGE INTO PLACE THEN LOWER INTO PLACE.



**NOTE:** MAKE SURE TO RUN WIRES UP POSTS AS NEEDED FOR YOUR HEATER OR OTHER ELECTRICAL APPLICATIONS. ALSO MAKE SURE WIRES ARE NOT GETTING PINCHED BY PANELS OR POSTS AS THEY ARE INSTALLED.

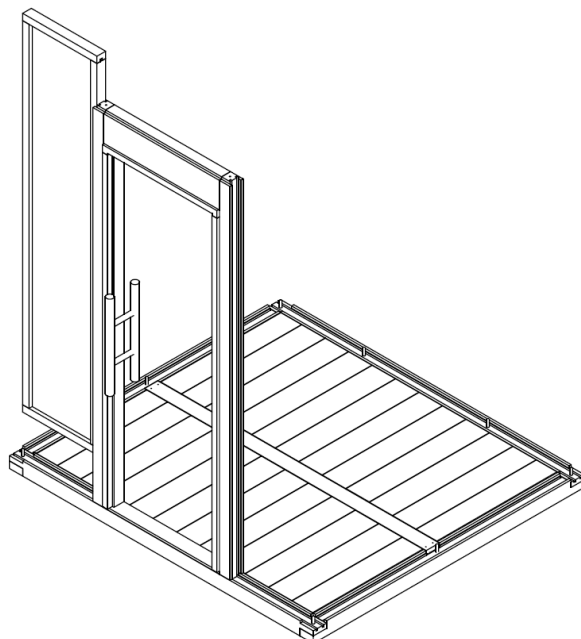
## **STEP 4**

CAREFULLY LOWER THE DOOR ONTO THE TWO CENTER PEGS OF THE SIDE SHOWN ON YOUR LAYOUT DIAGRAM. (THE DOOR IS CONSIDERED THE FRONT OF THE SAUNA).



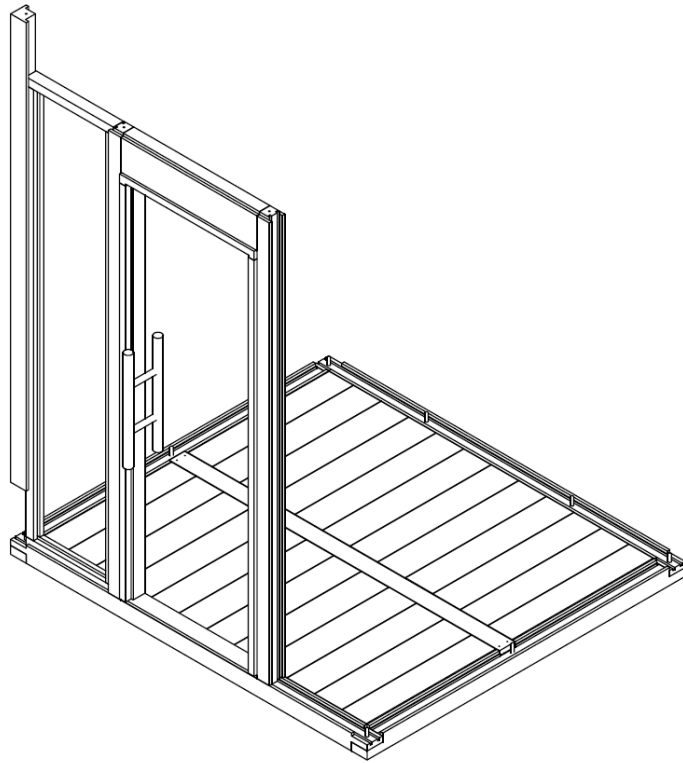
## **STEP 5**

MOVING CLOCKWISE FROM THE DOOR, SLIDE THE SMALL GLASS PANEL INTO PLACE.



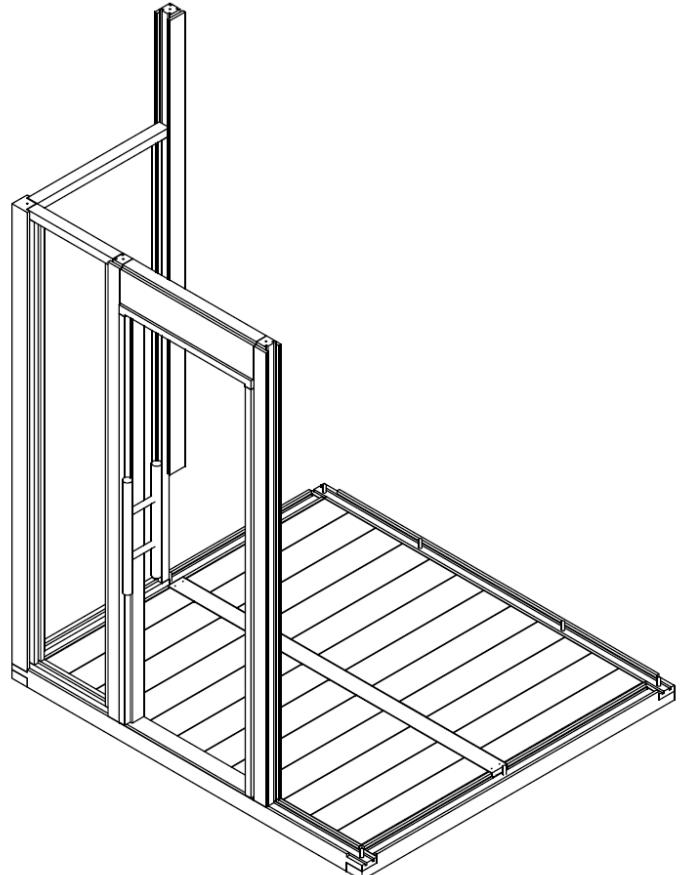
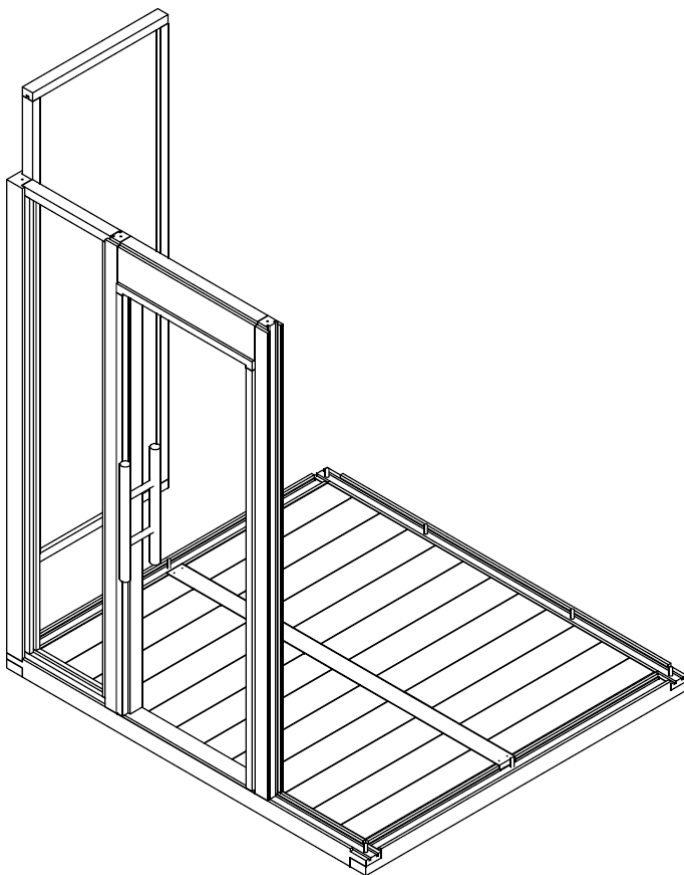
## STEP 6

INSERT CORNER POST ONTO THE PEG NEXT TO THE SMALL GLASS PANEL.



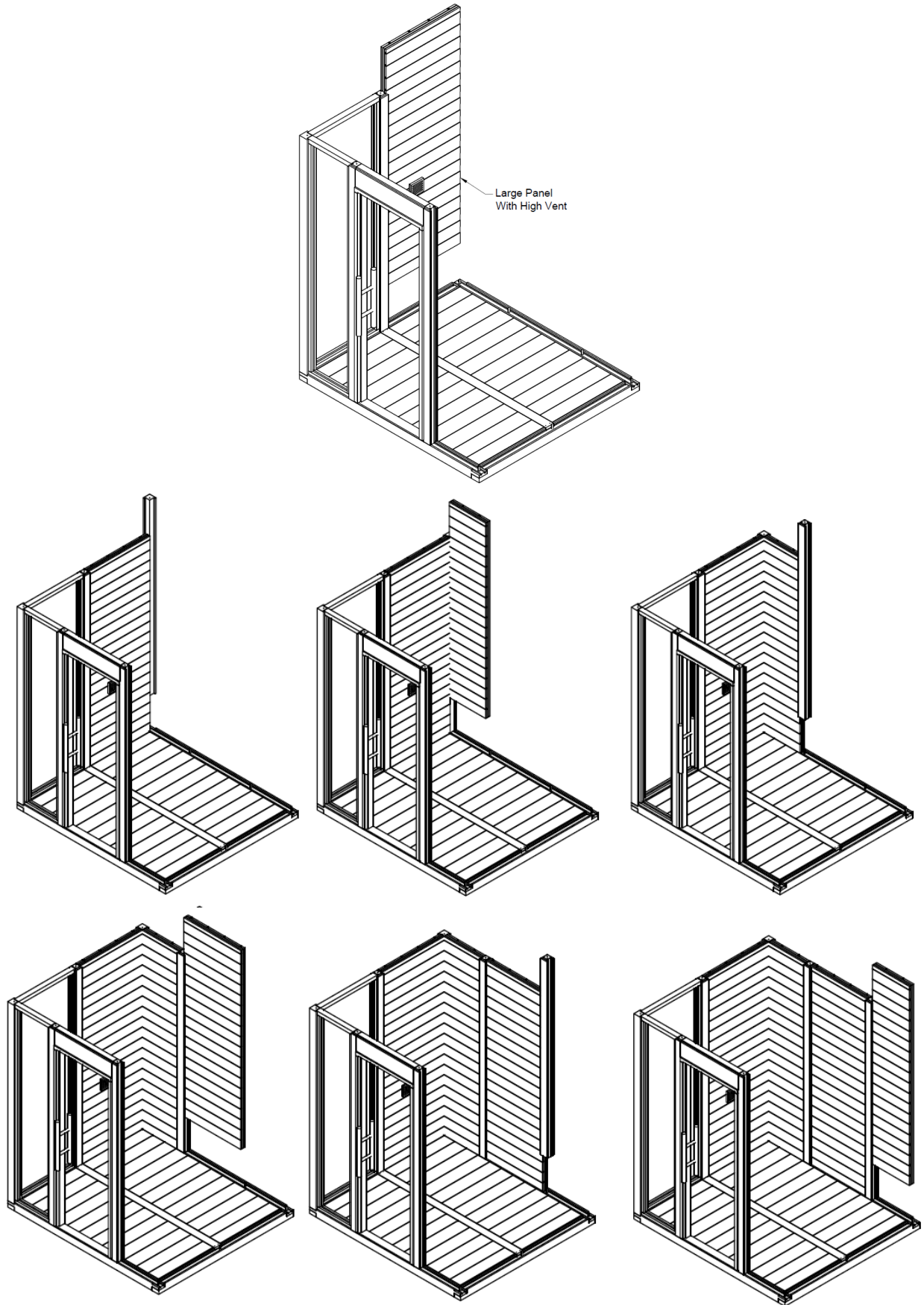
## STEP 7

SLIDE THE MEDIUM GLASS PANEL INTO POSITION. THEN A MIDDLE POST.



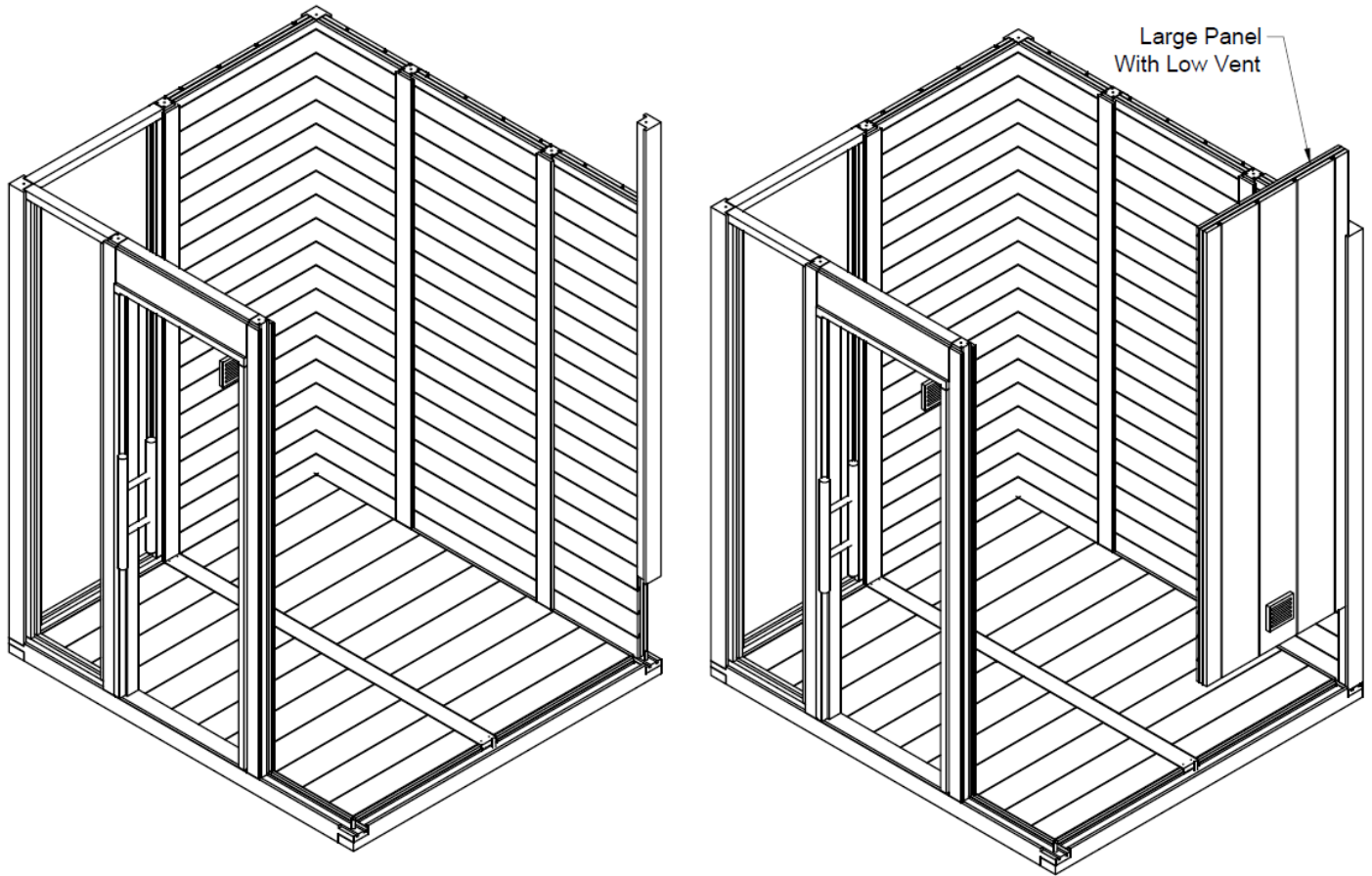
# STEP 8

INSTALL THE LARGE PANEL WITH THE HIGH VENT. THEN CONTINUE TO INSTALL PANELS AND POSTS AROUND THE SAUNA.



## STEP 9

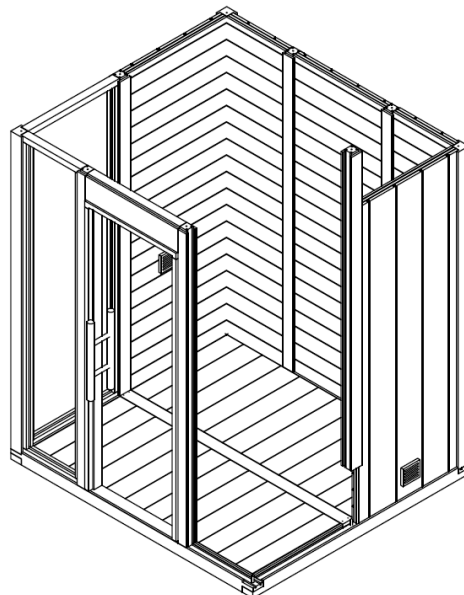
INSTALL THE BACK RIGHT CORNER POST FOLLOWED BY THE LARGE PANEL WITH THE LOW VENT.



## STEP 10

INSTALL THE RIGHT MIDDLE POST.

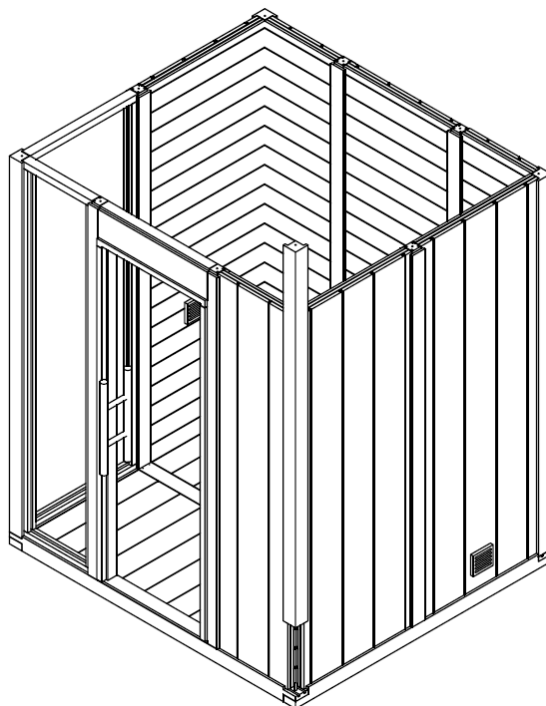
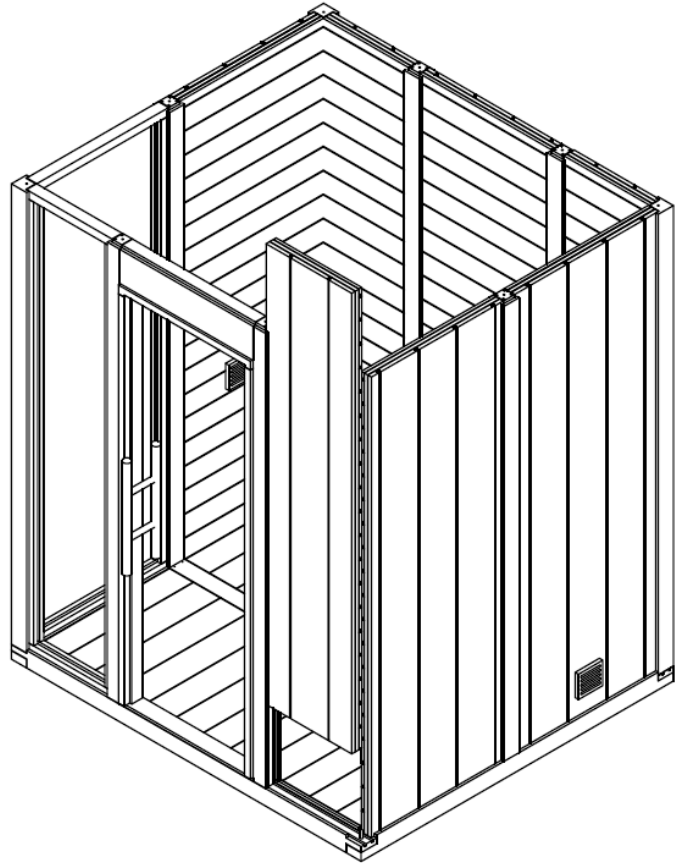
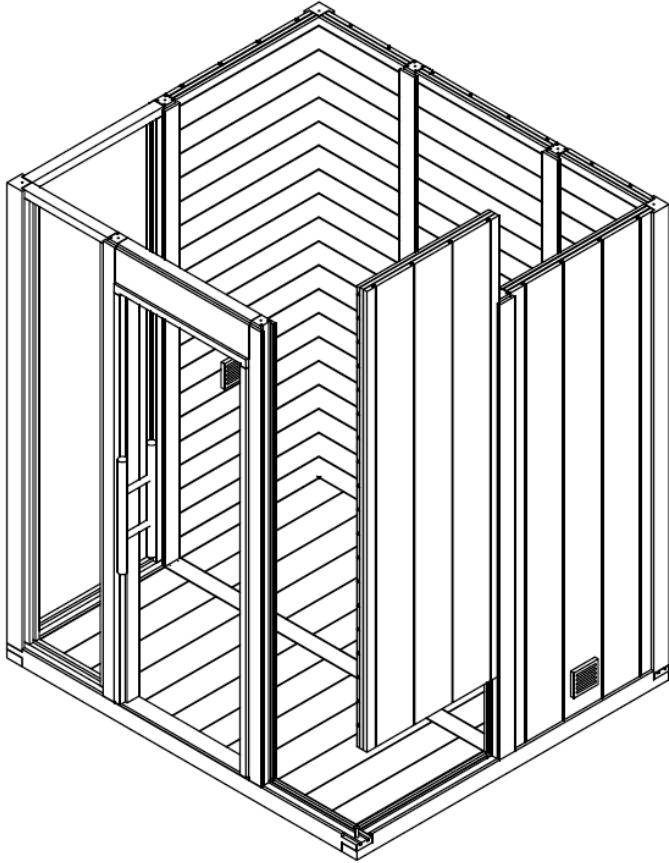
**NOTE:** IF YOU HAVE A WOODHEATER BUMBOUT, THE MIDDLE POST WILL ONLY HAVE A DADO ON ONE SIDE WHICH SHOULD BE AGAINST THE LARGE PANEL.



# STEP 11

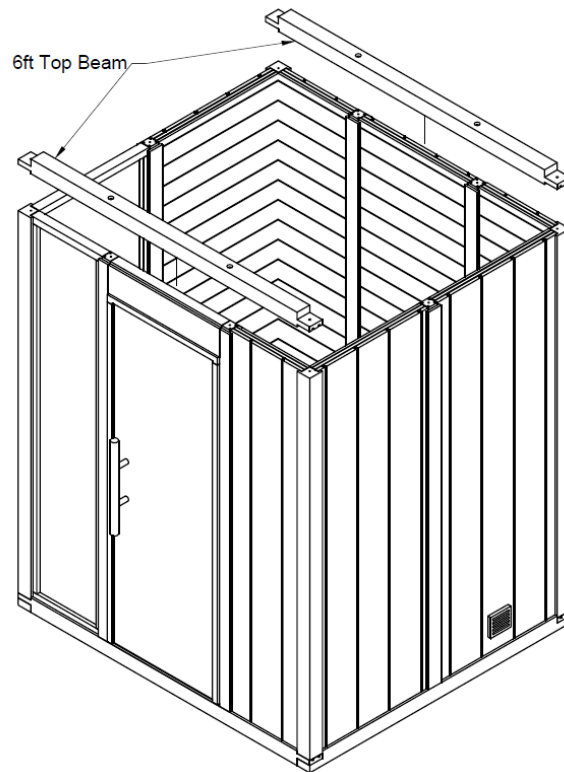
INSTALL THE RIGHT SIDE MEDIUM PANEL. THEN INSTALL THE SMALL FRONT PANEL BEFORE THE CORNER POST.

**NOTE:** IF YOU HAVE A WOODHEATER BUMBOUT, THE MEDIUM PANEL WILL BE OPEN. THE CORNER POST WILL ONLY HAVE A DADO ON ONE SIDE WHICH SHOULD FACE THE SMALL FRONT PANEL.



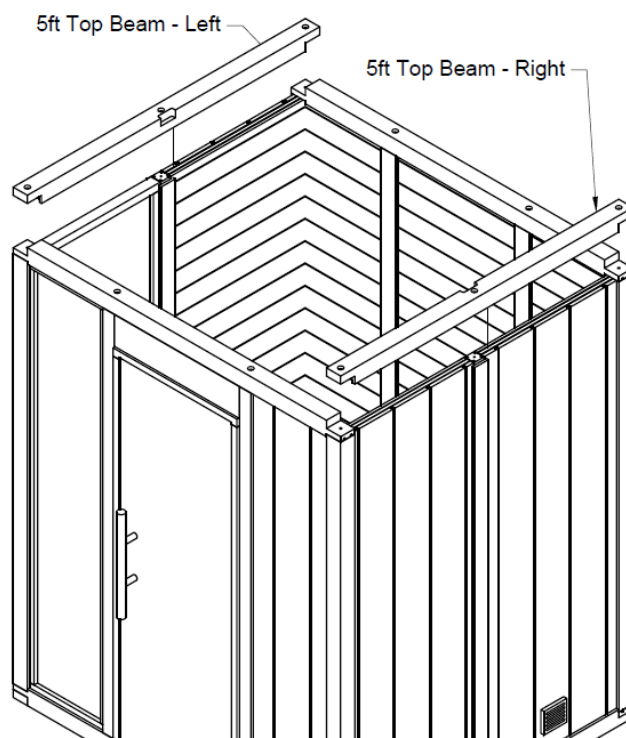
## STEP 12

BEFORE CONTINUING CHECK TO MAKE SURE ALL PANELS AND ANY WIRING ARE IN THEIR PROPER LOCATIONS. THEN INSTALL THE 6FT TOP BEAMS.



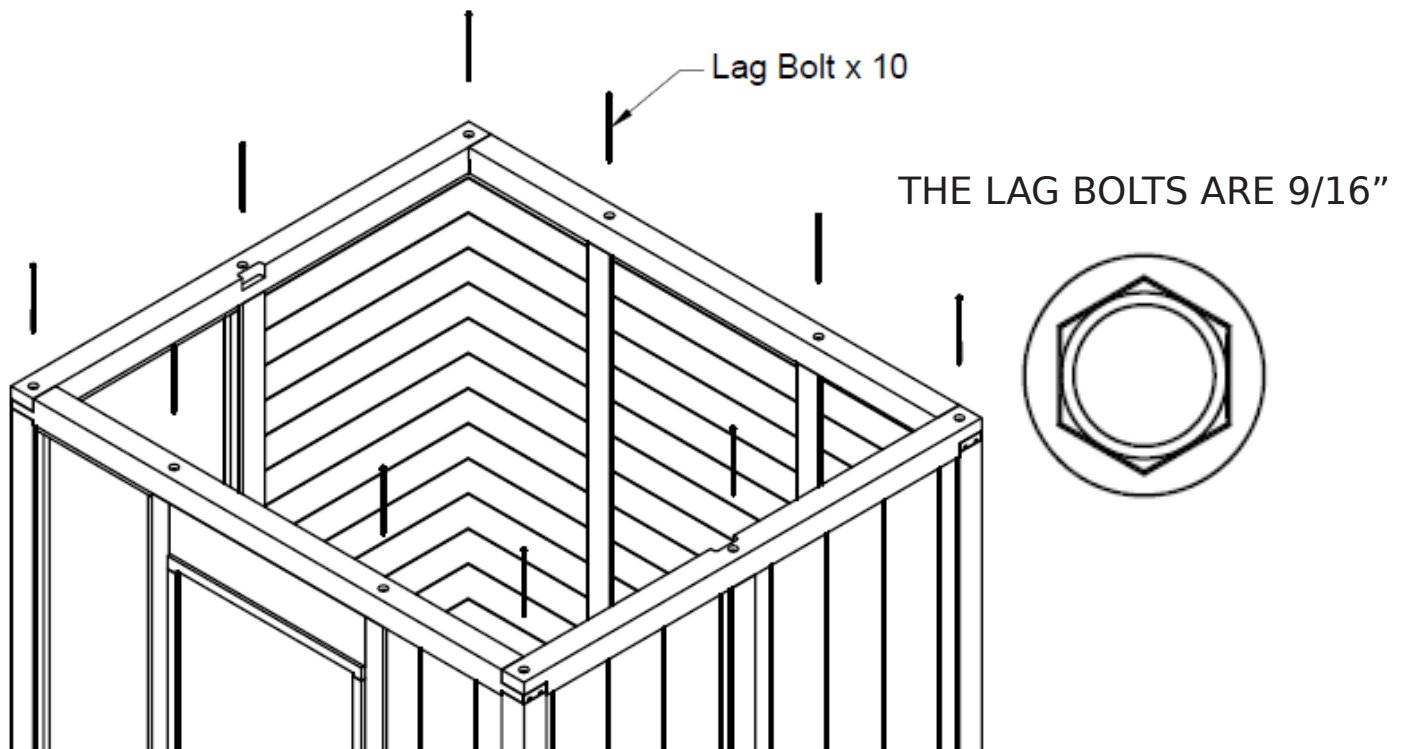
## STEP 13

INSTALL THE LEFT AND RIGHT 5FT TOP BEAMS. MAKE SURE THE NOTCHES LINE UP WITH THE MIDDLE POSTS ON EITHER SIDE AND THAT ALL THE PANELS ARE INSIDE THE BEAM SLOTS.



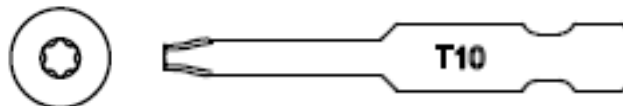
## STEP 14

WORK AROUND THE TOP OF THE SAUNA, BOLTING DOWN THE LAG BOLTS. IT IS RECOMMENDED TO USE AN IMPACT DRIVER AND FINISH TIGHTENING WITH A SOCKET WRENCH.



## STEP 15

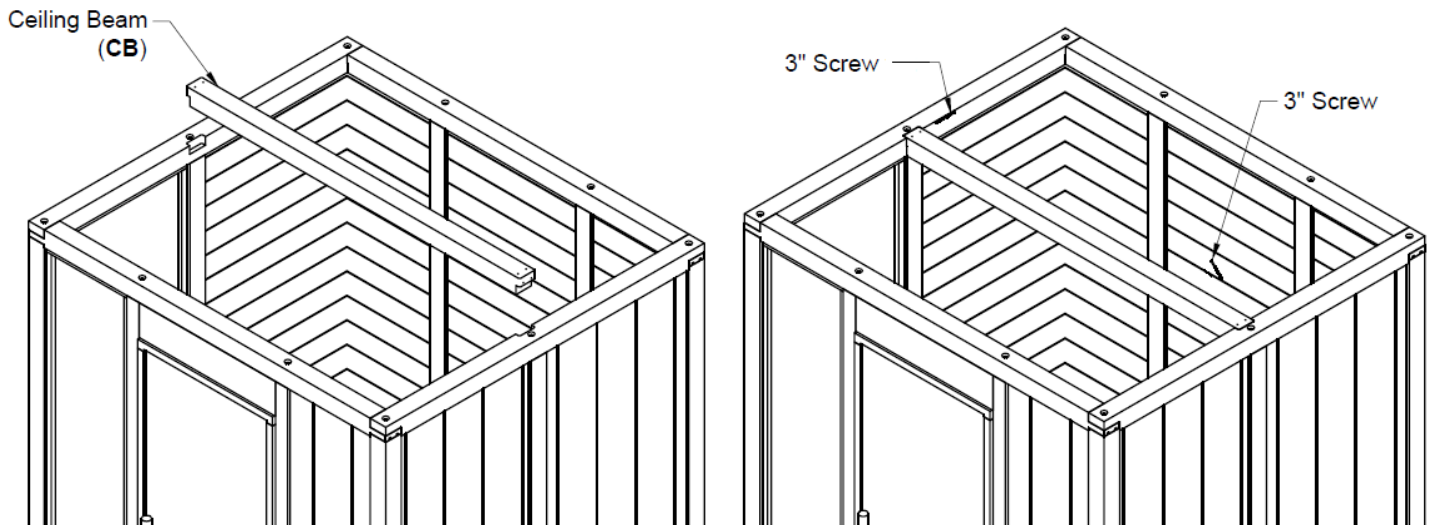
INSTALL INSIDE TRIM IN THAT CORNER USING THE TRIM TORX SCREWS AND THE T10 TORX BIT.



NOW WOULD BE THE BEST TIME TO HAVE THE ELECTRICIAN INSTALL THE HEATER AND ANY OTHER ELECTRONICS.

## STEP 16

INSTALL THE CEILING BEAM (**CB**) BY INSERTING IT INTO THE NOTCHES ON THE TOP BEAMS, THEN SCREWING IT DOWN ON EACH SIDE.

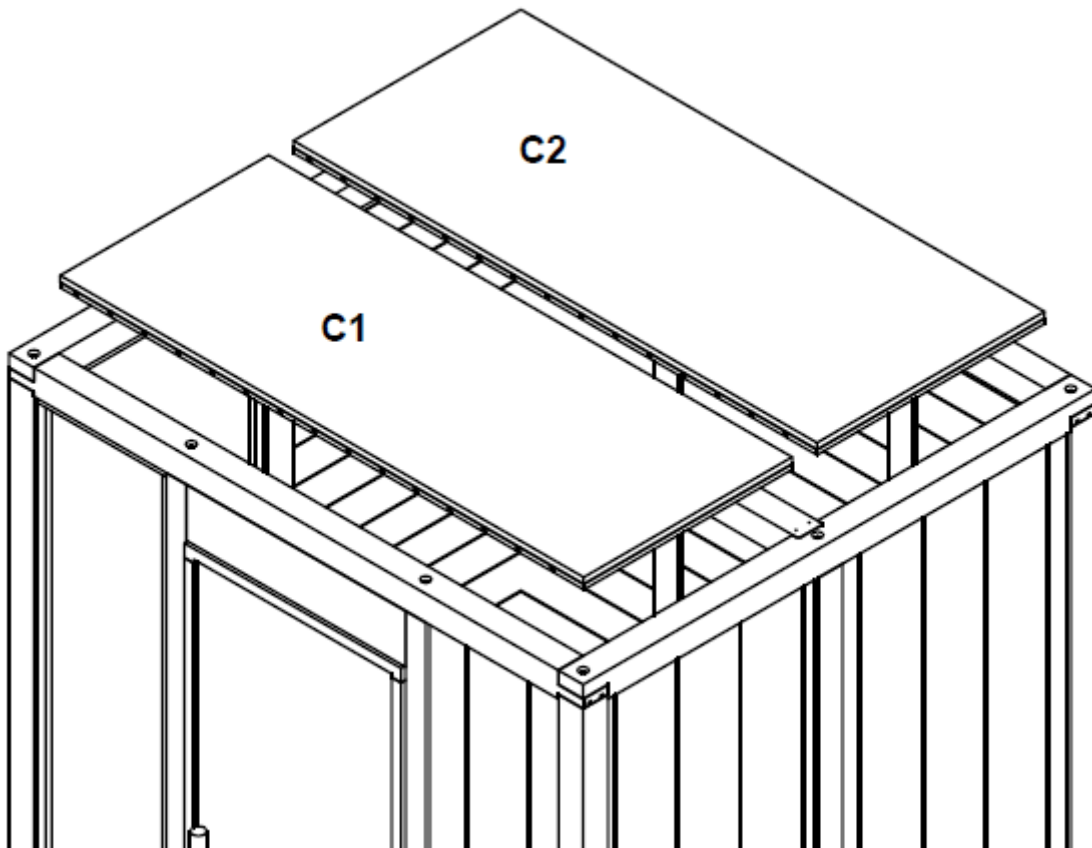


THE SCREWS ARE 3" TORX SCREWS. USE THE T25 TORX BIT.



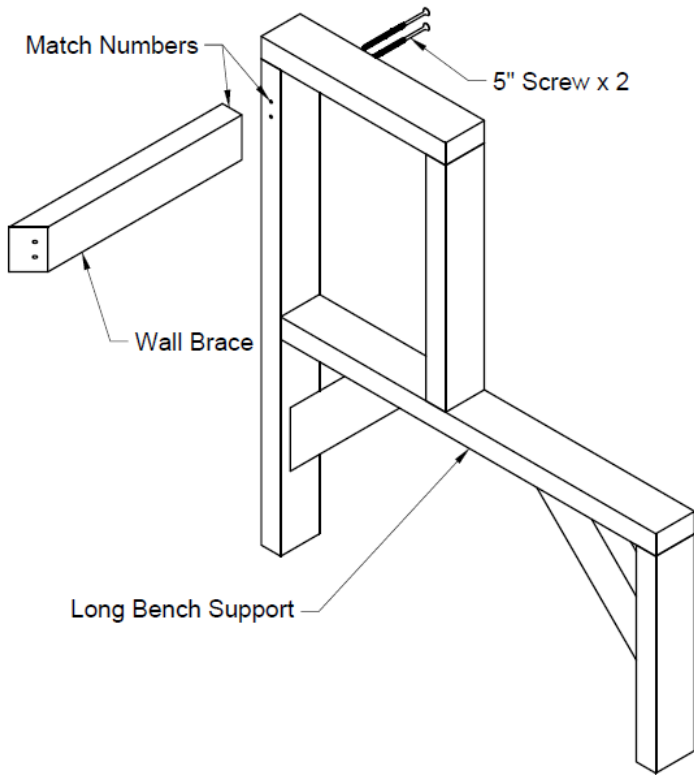
## STEP 17

INSERT THE MEDIUM (**C1**) AND LARGE (**C2**) CEILING PANELS

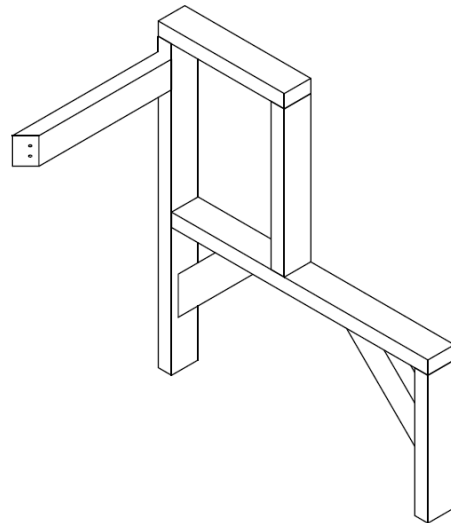
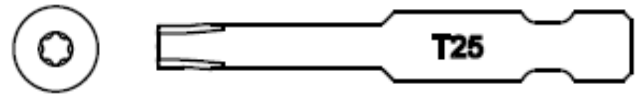


# STEP 18

THE BENCH SUPPORTS NEED SOME ASSEMBLY. THERE ARE 2 LONG BENCH SUPPORTS. LINE UP THE WALL BRACE AGAINST THE BENCH SUPPORT, MATCHING THE NUMBERS THEN ATTACH WITH TWO (2) 5" SCREWS.

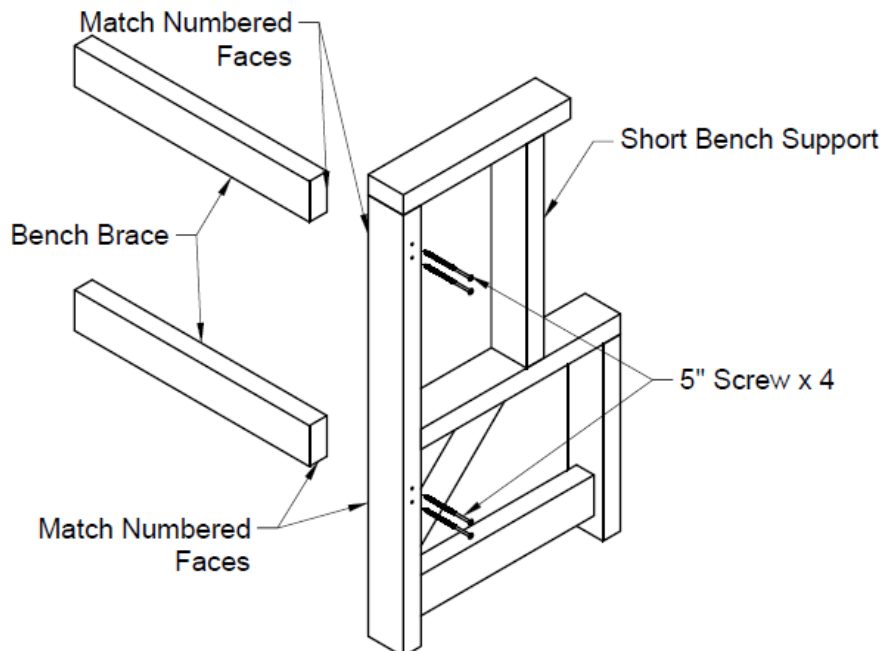


5" TORX SCREWS USE THE T25 TORX BIT.



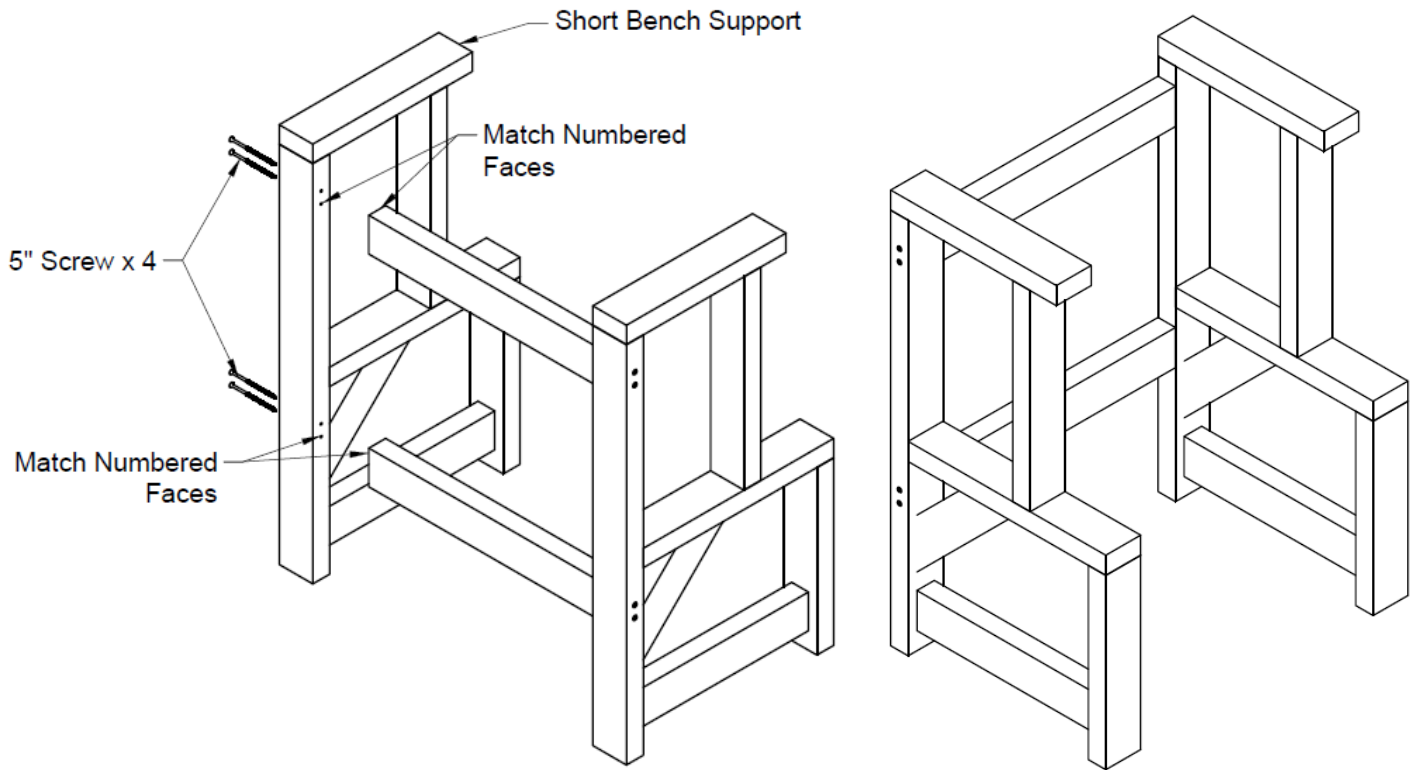
# STEP 19

THERE ARE 2 SHORT BENCH SUPPORTS. LINE UP ONE BENCH BRACE AGAINST ONE SHORT BENCH SUPPORT, MATCHING THE NUMBERS THEN ATTACH IT WITH TWO (2) 5" SCREWS. REPEAT WITH THE OTHER BENCH BRACE.



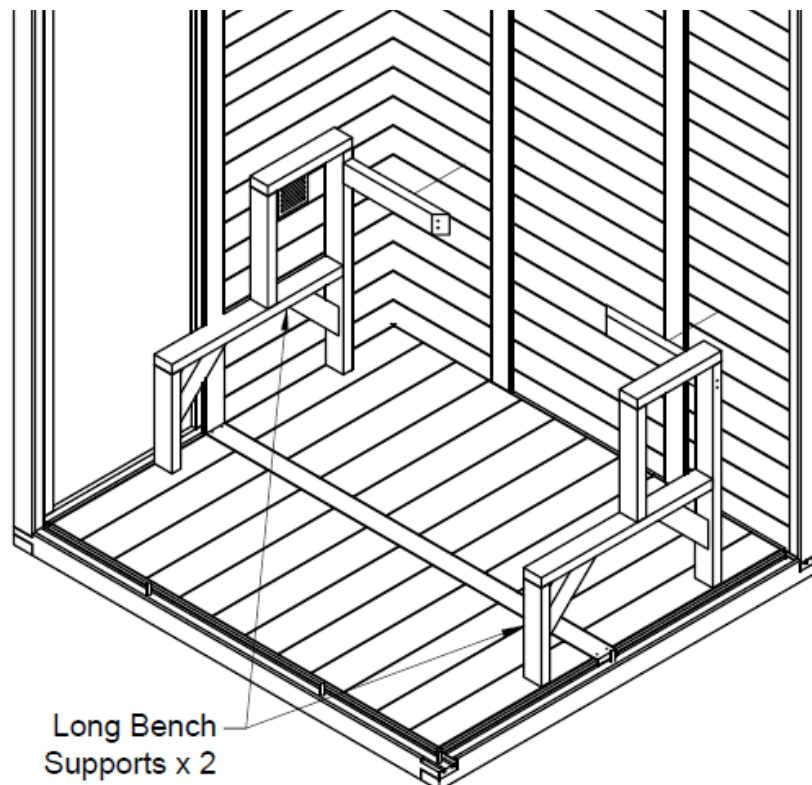
## STEP 20

LINE UP THE SECOND SHORT BENCH SUPPORT WITH THE BENCH BRACES, MATCHING THE NUMBERS THEN ATTACH IT WITH FOUR (4) 5" SCREWS.



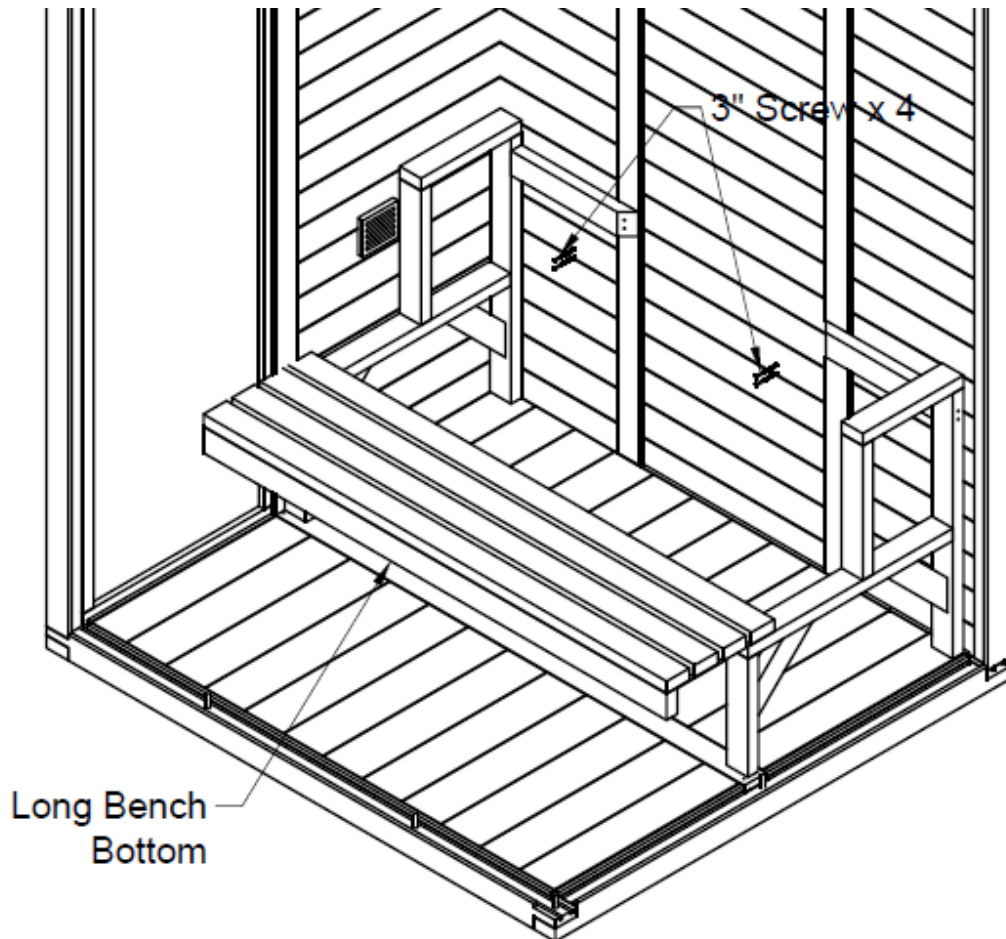
## STEP 21

POSITION THE LONG BENCH SUPPORTS INTO THE CORNERS OF THE BACK OF THE SAUNA.



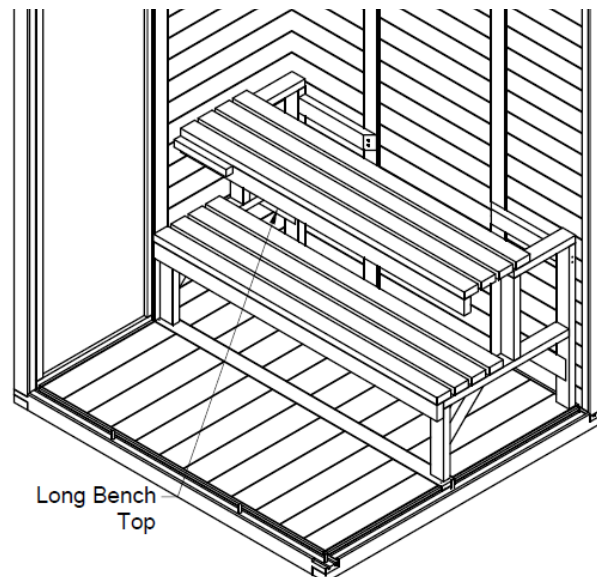
## STEP 22

SLIDE THE LONG BOTTOM BENCH INTO POSITION. USING A LEVEL ADJUST THE LEVELING FEET ON THE SUPPORTS MAKING SURE THE BENCH IS LEVEL FROM LEFT TO RIGHT AND FRONT TO BACK. SCREW THE WALL BRACES INTO THE MIDDLE POSTS USING TWO (2) 3" SCREWS FOR EACH WALL BRACE.



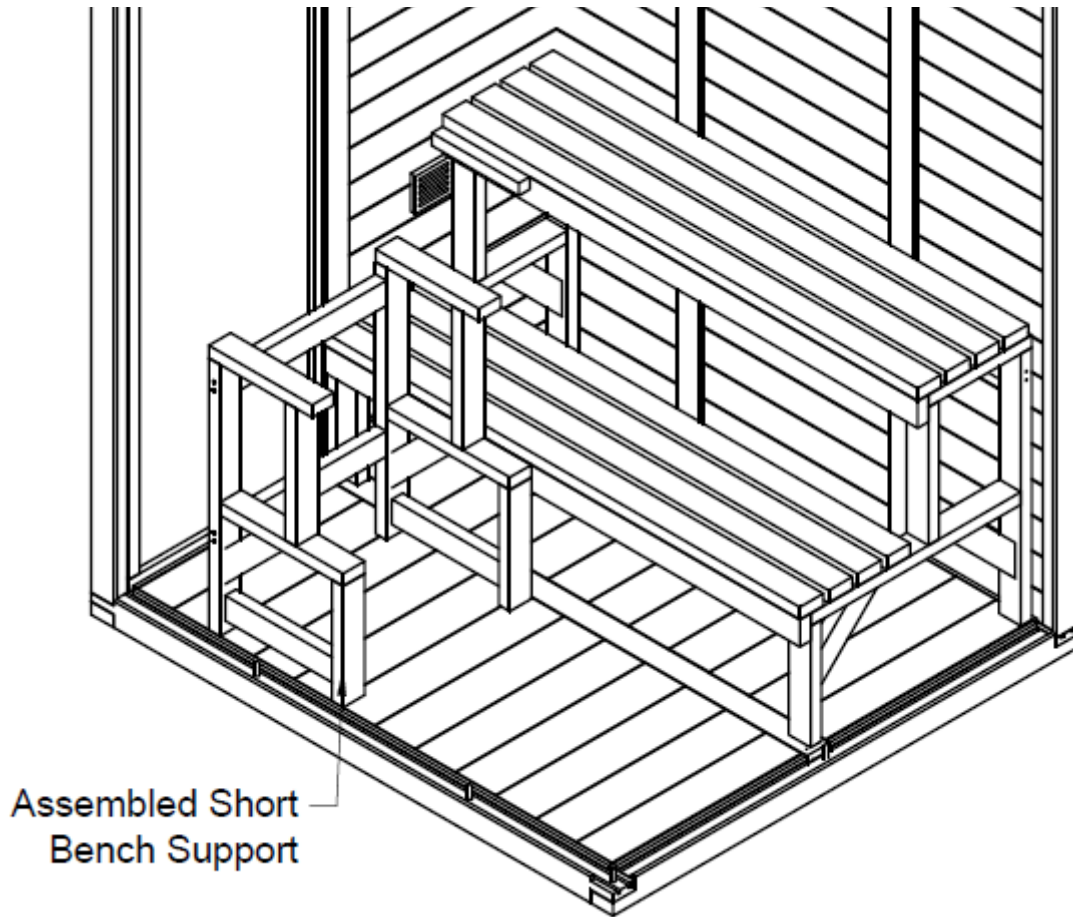
## STEP 23

SLIDE THE LONG TOP BENCH INTO POSITION.



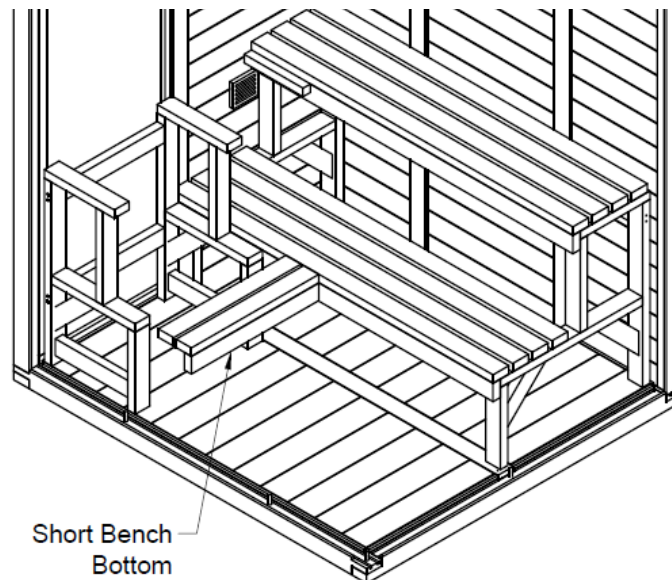
## STEP 24

SLIDE THE ASSEMBLED SHORT BENCH SUPPORTS INTO POSITION. ATTACH THE BENCH SUPPORT TO THE DOOR POST USING A 5" SCREW.



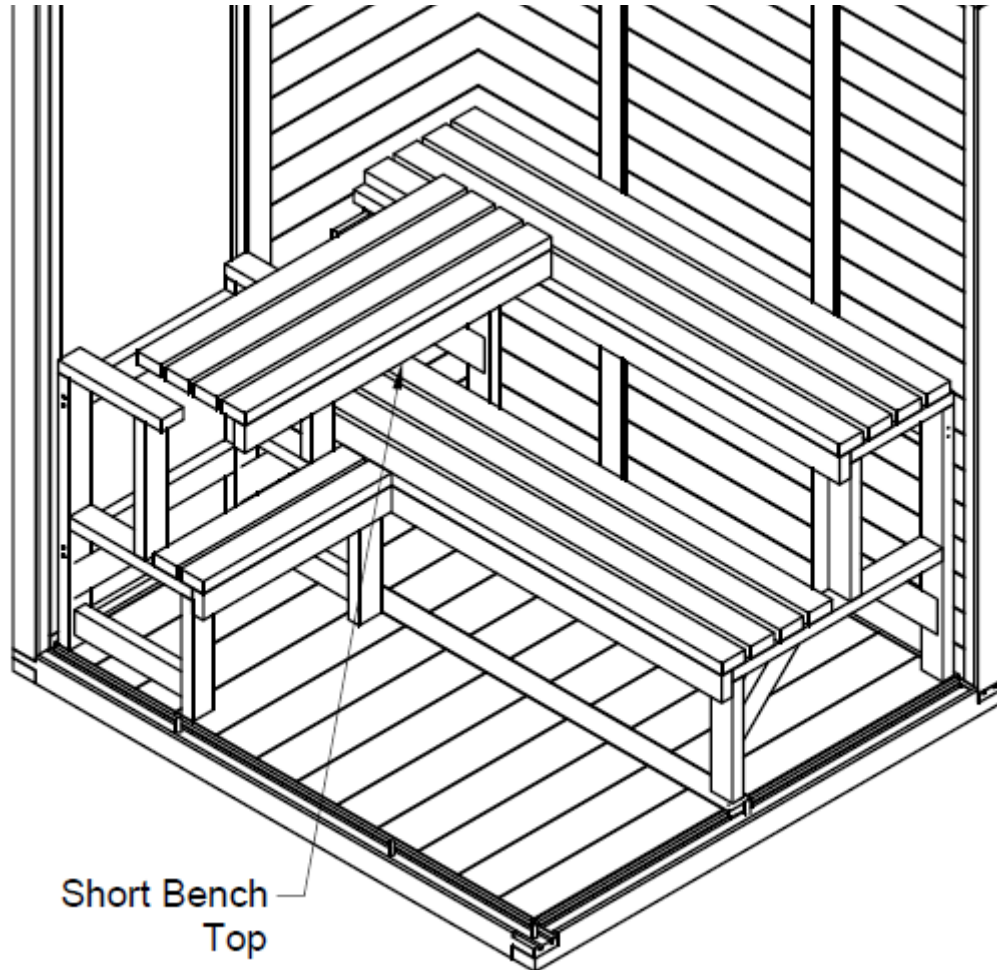
## STEP 25

SLIDE THE SHORT BOTTOM BENCH INTO POSITION. USING A LEVEL ADJUST THE LEVELING FEET ON THE SUPPORTS MAKING SURE THE BENCH IS LEVEL FROM LEFT TO RIGHT AND FRONT TO BACK. USING A 2" SCREW ATTACH THE BENCH TO THE BENCH SUPPORT.



## STEP 23

SLIDE THE SHORT TOP BENCH INTO POSITION. THE RIGHT SIDE SHOULD REST ON THE SUPPORT ATTACHED TO THE FRONT OF THE TOP LONG BENCH.



**CONGRATULATIONS! THE ASSEMBLY OF YOUR BASE MOD4 SAUNA IS NOW COMPLETE.**

YOU ARE ONE STEP CLOSER TO ENJOYING YOUR NEW SAUNA. IF YOU PURCHASED ADDITIONAL FEATURES, PLEASE PROCEED WITH THEIR INSTALLATIONS NOW:

- **WOOD HEATER BUMPOUT:** IF YOU HAVE THIS OPTION, PLEASE INSTALL IT NOW. REFER TO THE INCLUDED **WOOD HEATER BUMPOUT ASSEMBLY MANUAL** FOR SPECIFIC INSTRUCTIONS.
- **ROOF KIT:** THIS MAY BE INSTALLED NOW OR AFTER THE WOOD HEATER BUMPOUT. PLEASE REFER TO THE PROVIDED **ROOF ASSEMBLY MANUAL** FOR DETAILS.

# CONTACT US

FEEL FREE TO REACH OUT TO US WITH ANY QUESTIONS OR CONCERNS ABOUT THE INSTALLATION OR USE OF YOUR MOD4.