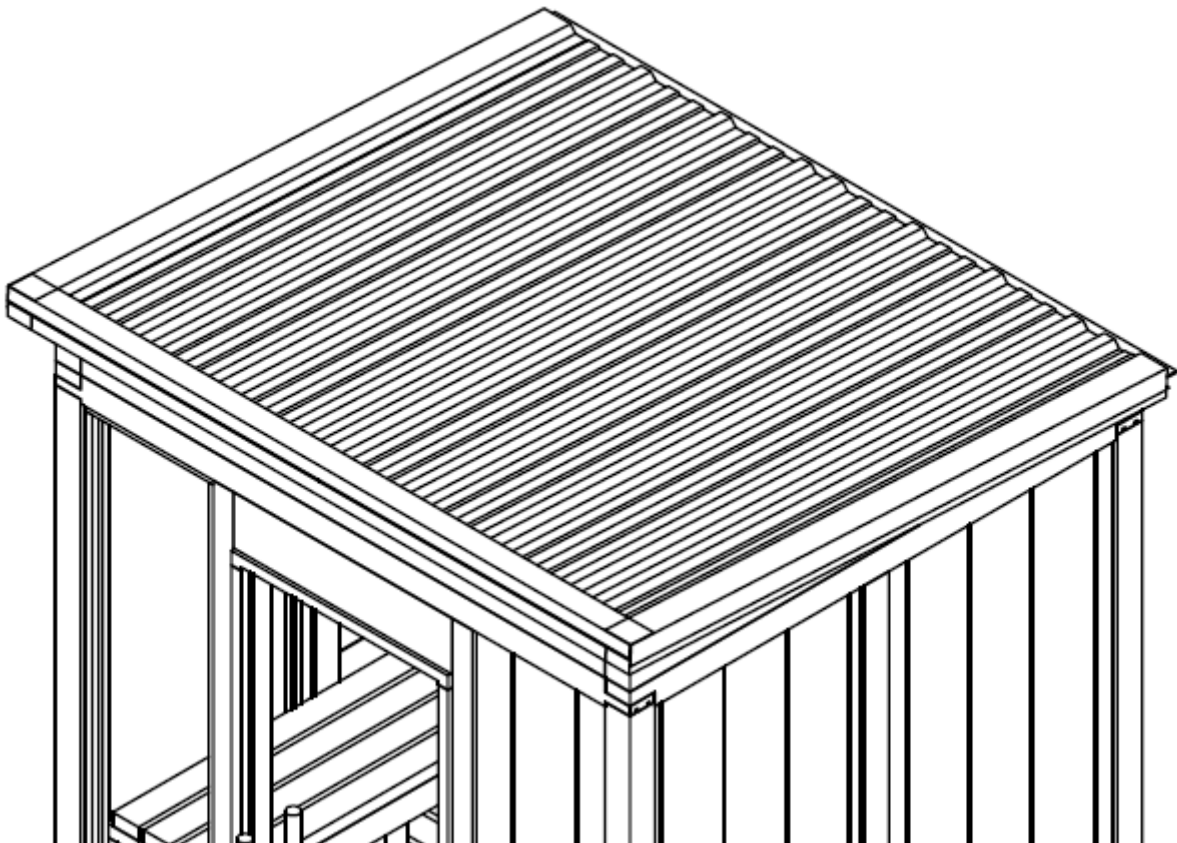


MOD4 ASSEMBLY INSTRUCTIONS ROOF



TOOLS & NOTES

REQUIRED TOOLS

- SOCKET WRENCH
- 5/16" SOCKET - INCLUDED
- 1/4" SOCKET - INCLUDED
- T25 TORX BIT - INCLUDED
- T20 TORX BIT - INCLUDED
- T10 TORX BIT - INCLUDED
- LADDER
- BOX CUTTER / KNIFE

RECOMMENDED TOOLS

- IMPACT DRIVER
- MALLET
- STAPLE GUN

SAFETY NOTES

TWO (2) PEOPLE WILL BE NEEDED TO ASSEMBLE THE SAUNA. IT IS RECOMMENDED TO HAVE 3 PEOPLE FOR ASSEMBLY.

SOME PARTS OF THE SAUNA ARE HEAVY. TAKE CARE WHEN LIFTING.

A LADDER AND GETTING ON TOP OF THE SAUNA WILL BE REQUIRED TO ASSEMBLE THE ROOF. **DO NOT STAND ON THE CEILING PANELS OF THE SAUNA.**

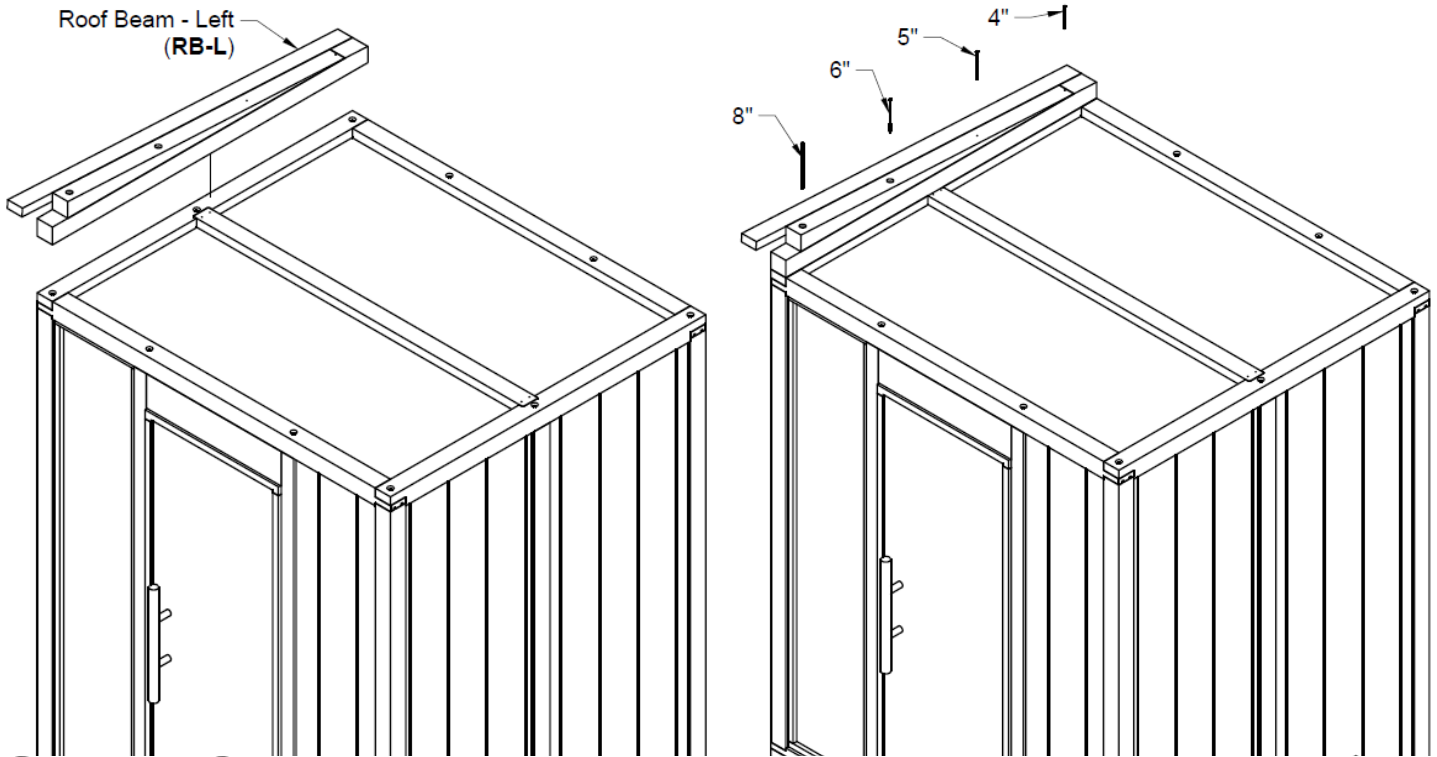
INSTALLATION NOTES

ALL THE PARTS OF THE ROOF SHOULD BE LABELED. MOST WILL HAVE AN ARROW THAT WILL POINT TOWARDS THE "FRONT" OF THE SAUNA. THE "FRONT" IS A REFERENCE TO THE DOOR SIDE OF THE SAUNA.

ASSEMBLY INSTRUCTIONS

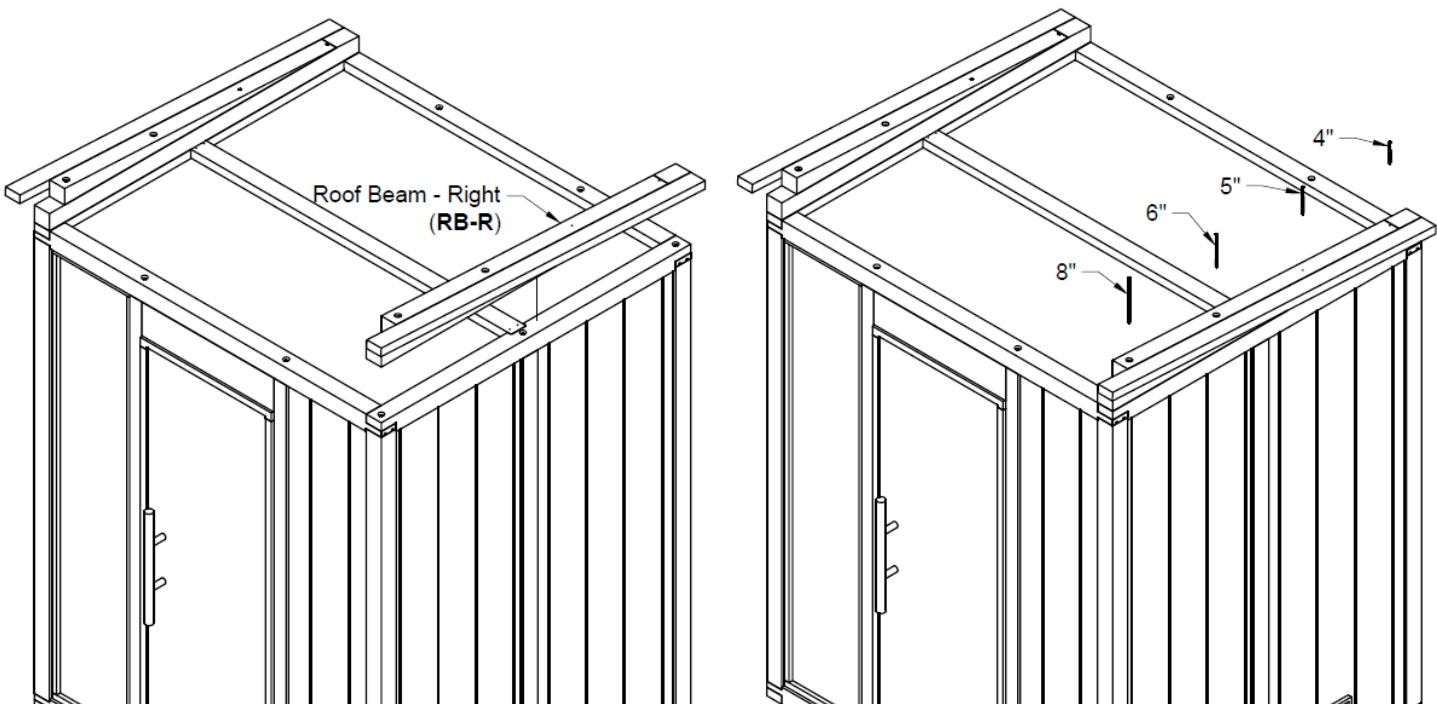
STEP 1

PLACE THE LEFT ROOF BEAM (**RB-L**) ON THE LEFT 5FT TOP BEAM OF THE SAUNA. THE ARROW WILL POINT TOWARDS THE FRONT. START WITH A 4" SCREW INTO THE BACK, DON'T TIGHTEN COMPLETELY. MAKE SURE **RB-L** IS STRAIGHT THEN USE THE 8" SCREW AND TIGHTEN DOWN. CONTINUE PUTTING THE SCREWS IN WITH THE 6", THEN 5", AND THEN TIGHTENING THE 4".



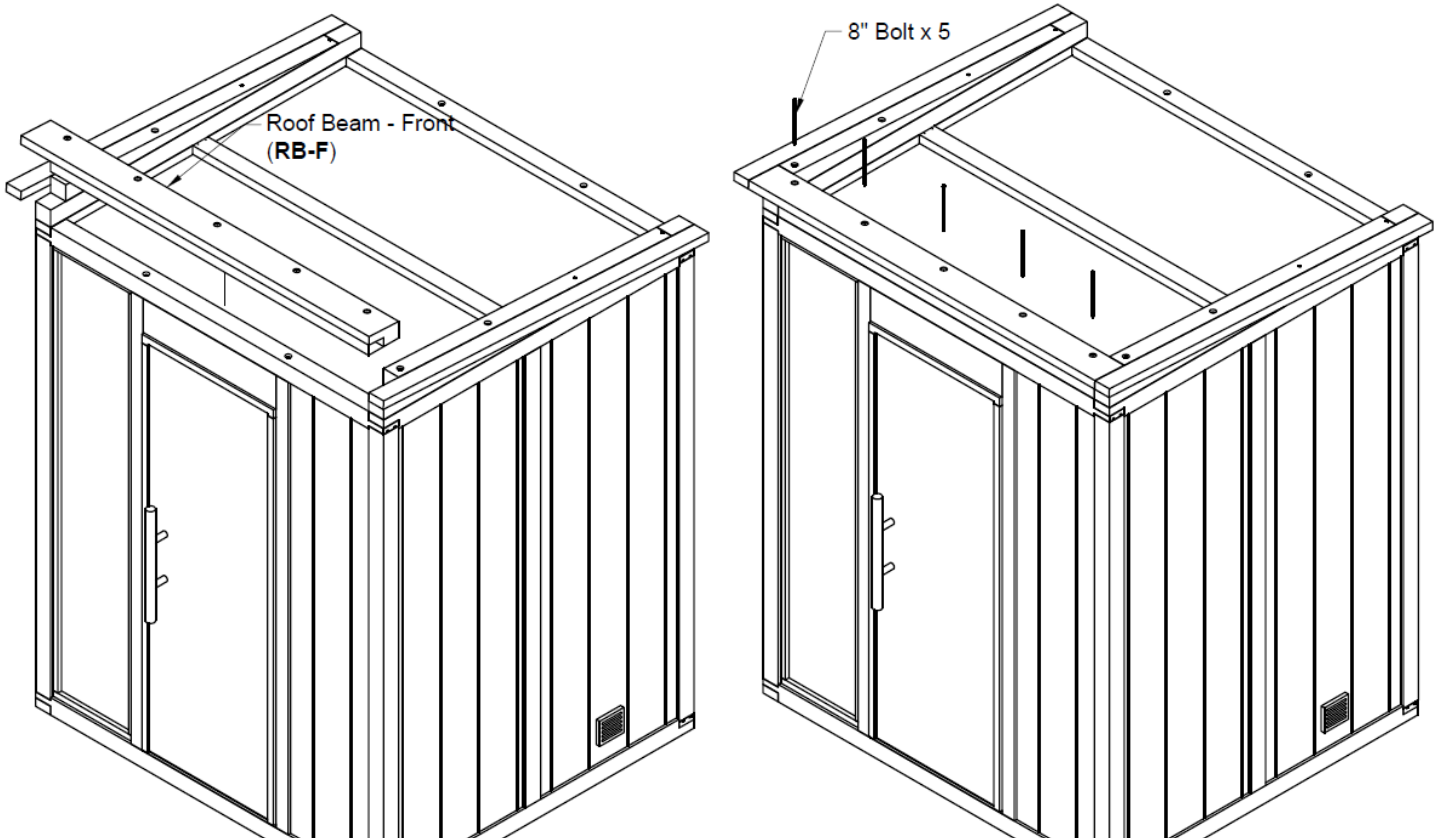
STEP 2

REPEAT **STEP 1** WITH THE RIGHT ROOF BEAM (**RB-R**)



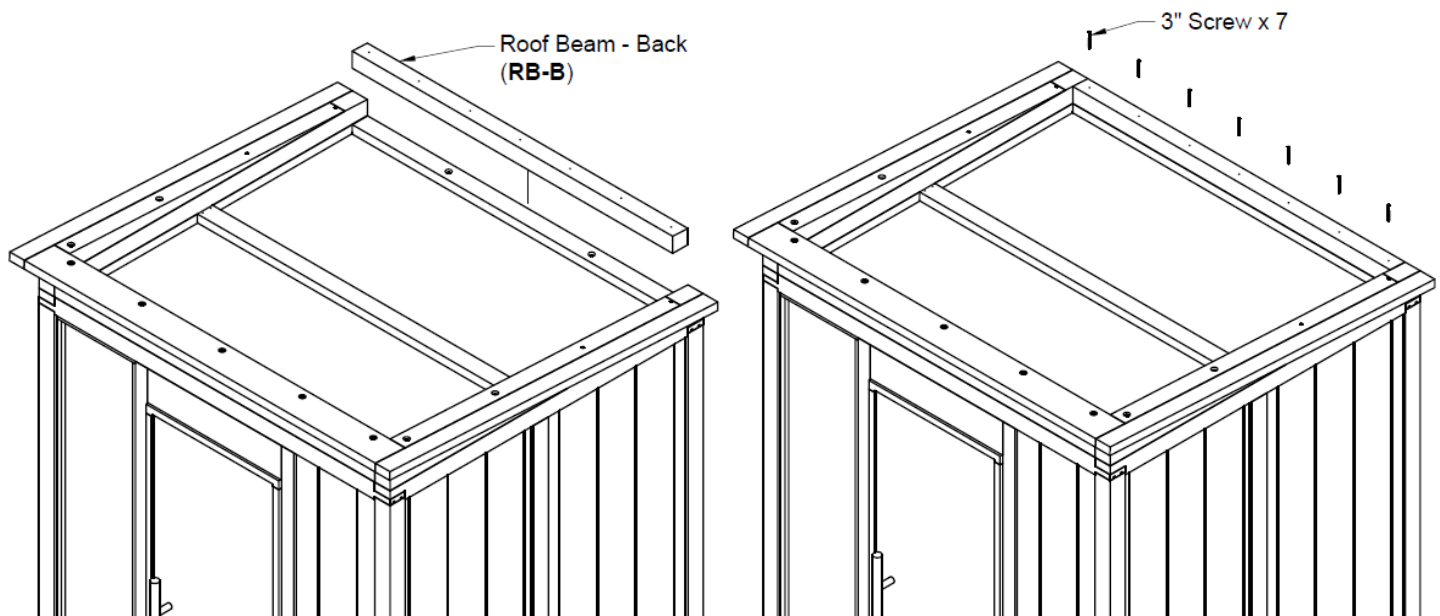
STEP 3

PLACE THE FRONT ROOF BEAM (**RB-F**) ONTO THE TOP FRONT OF THE SAUNA. THE OVERHANG WILL BE FACING OUTWARD. STARTING FROM THE EDGES SCREW IN THE 8" BOLTS USING THE 5/16" SOCKET AND WORK TOWARDS THE CENTER.



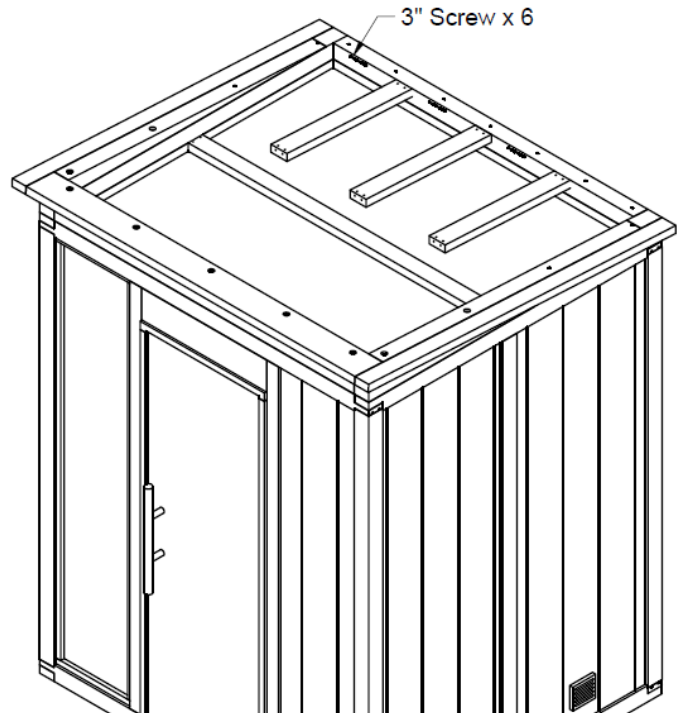
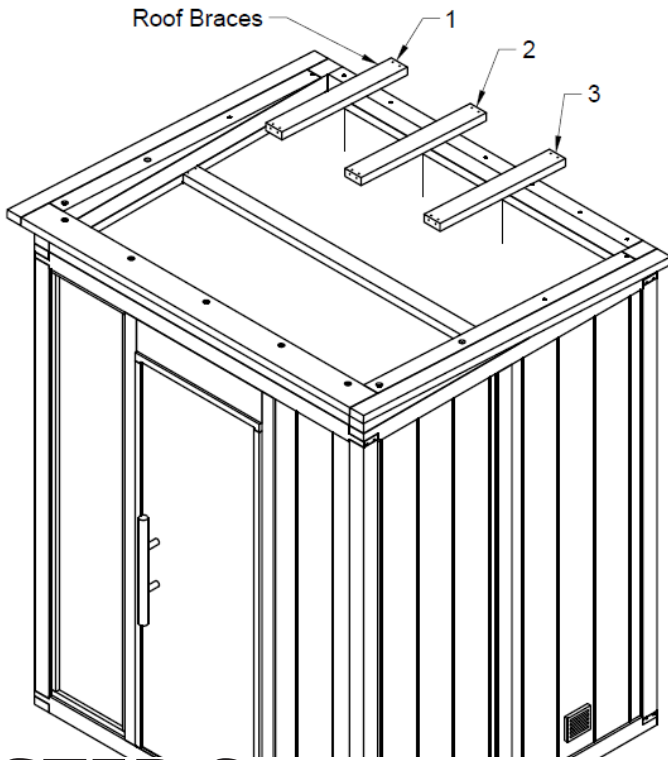
STEP 4

PLACE THE BACK ROOF BEAM LABELED (**RB-B**) ONTO THE TOP BACK OF THE SAUNA THE FRONT OF THE SAUNA. STARTING FROM THE EDGES SCREW IN THE 3" SCREWS WORKING TOWARDS THE CENTER.



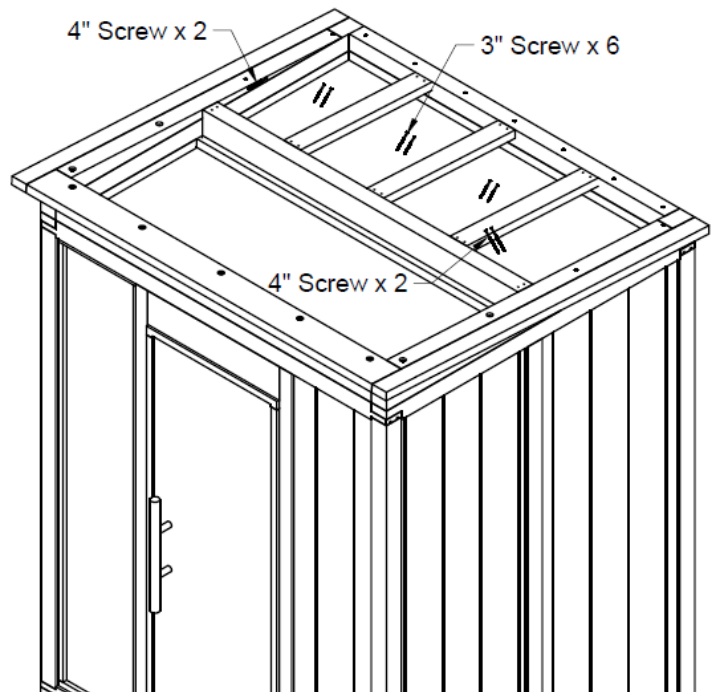
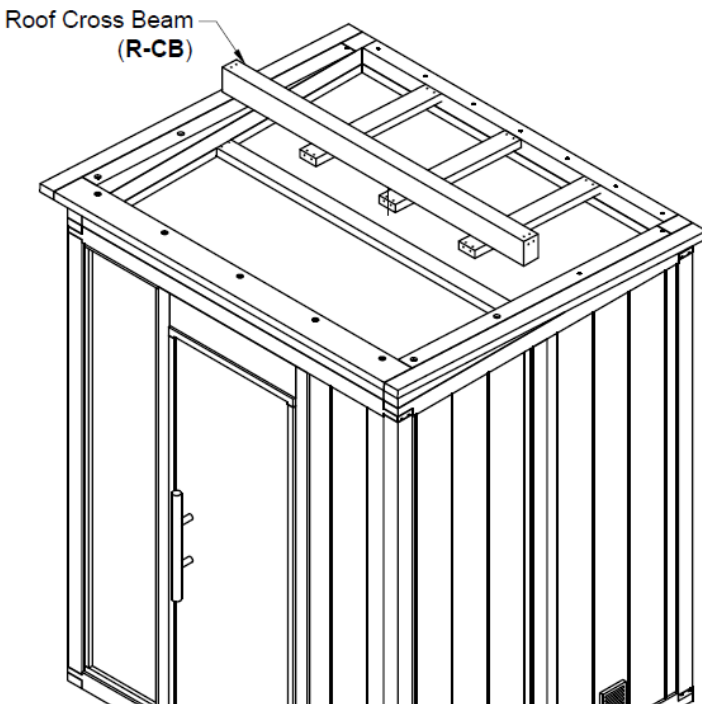
STEP 5

LINE UP THE NUMBERED BACK ROW OF ROOF BRACES WITH THE CORRESPONDING NUMBERS ON THE BACK ROOF BEAM. FASTEN THE BRACES TO THE BACK ROOF BEAM WITH TWO 3" SCREWS EACH.



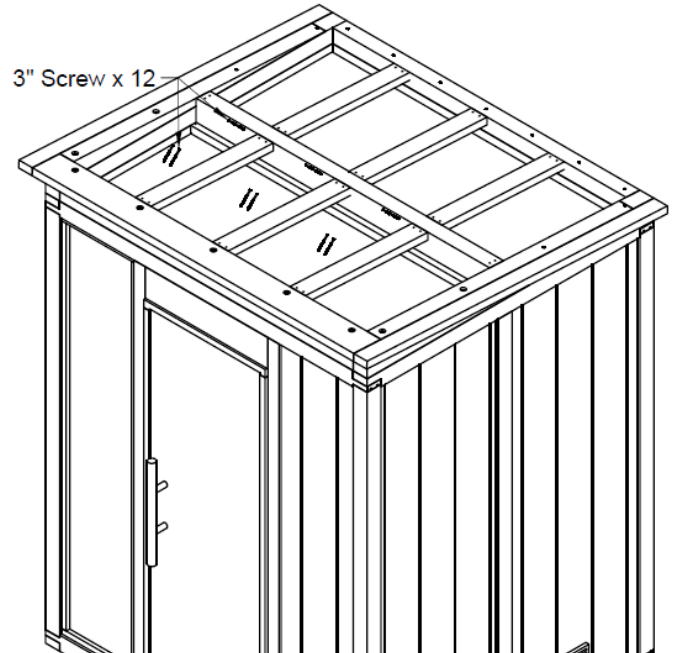
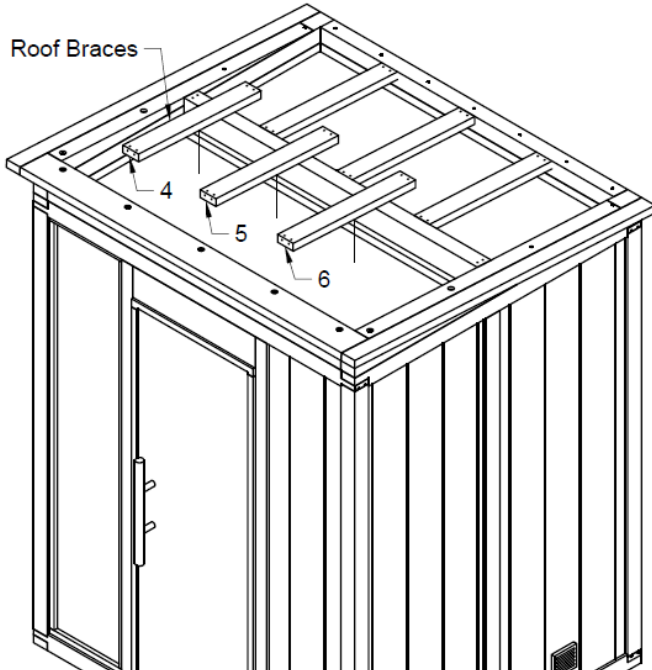
STEP 6

PLACE THE ROOF CROSS BEAM (R-CB) WITH THE ARROW FACING THE FRONT UP AGAINST THE BACK BRACES THEN TIGHTEN IT INTO THE SIDE BEAMS WITH TWO 4" SCREWS ON EACH SIDE. THEN SCREW THE ROOF BRACES INTO THE ROOF CROSS BEAM WITH TWO 3" SCREWS EACH.



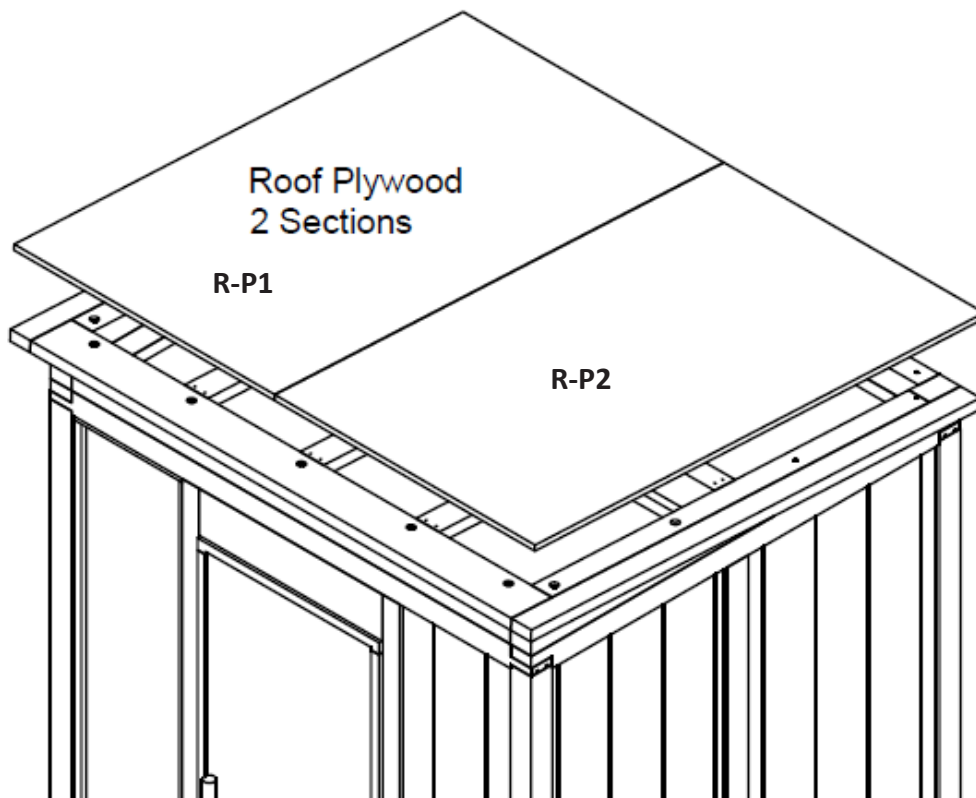
STEP 7

LINE UP THE NUMBERS ON THE ROOF BRACES FOR THE FRONT WITH THE NUMBERS LISTED ON THE FRONT ROOF BEAM AND SCREW THEM INTO BOTH THE FRONT ROOF BEAM AND ROOF CROSS BEAM WITH FOUR 3" SCREWS PER ROOF BRACE. A MALLET MAY BE REQUIRED TO GET THE BRACES INTO POSITION.



STEP 8

ATTACH THE TWO PIECES OF ROOF PLYWOOD (**R-P1** AND **R-P2**) WITH 25 - 1 1/4" SCREWS EACH. THEY ARE BOTH THE SAME SIZE.

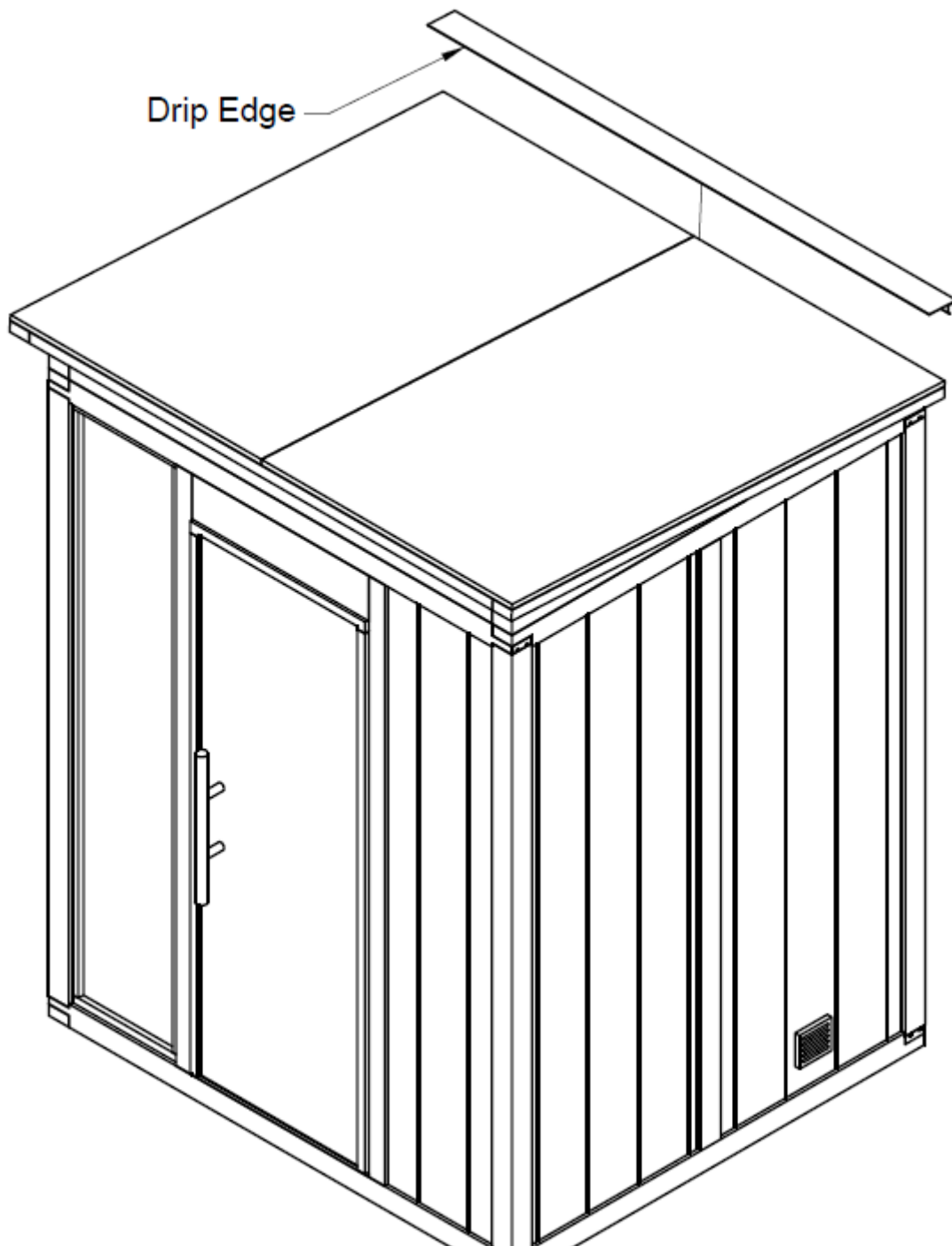


STEP 9

LAY DOWN THE UNDERLAYMENT ONTO THE PLYWOOD, CUTTING OFF THE EXCESS. YOU CAN STAPLE IT DOWN WITH A STAPLE GUN TO PREVENT IT FROM MOVING AROUND.

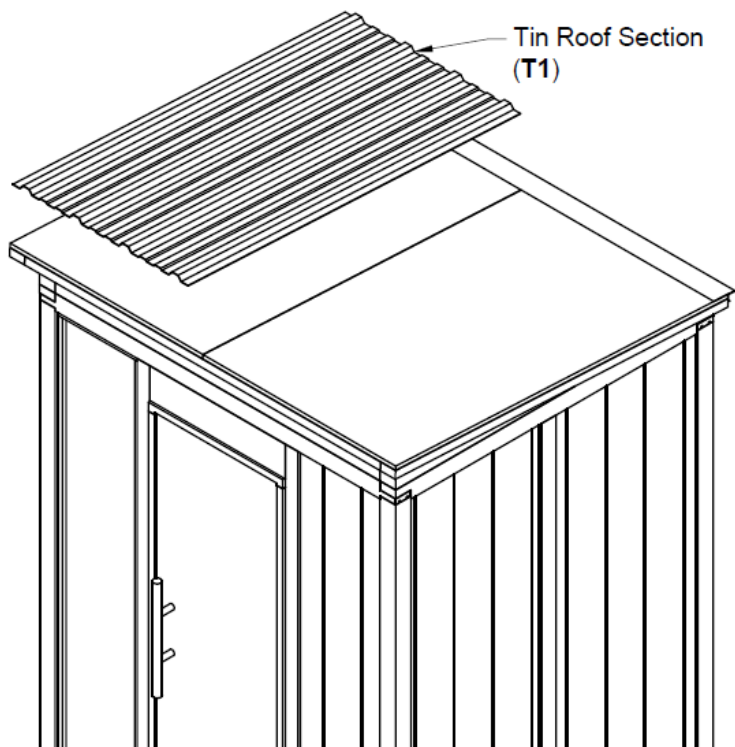
STEP 10

ATTACH THE BACK DRIP EDGE ONTO UNDERLAYMENT. MOST OF THE METAL ROOFING MATERIALS ARE ATTACHED USING 1" ROOFING SCREWS WITH A 1/4" SOCKET UNLESS OTHERWISE MENTIONED



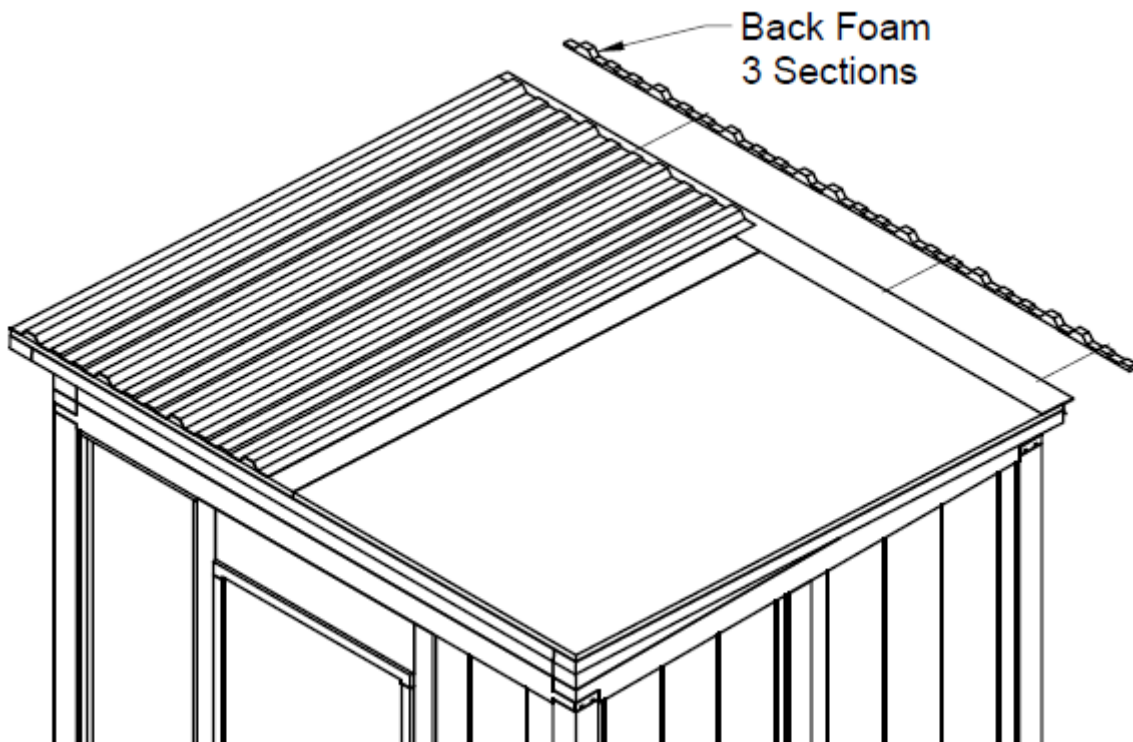
STEP 11

ALIGN THE TIN ROOF SECTION LABELED **T1** ON THE LEFT SIDE OF THE SAUNA. ATTACH IT ONLY ALONG THE FRONT EDGE TO KEEP THE BACK EDGE FREE FOR THE NEXT STEP.



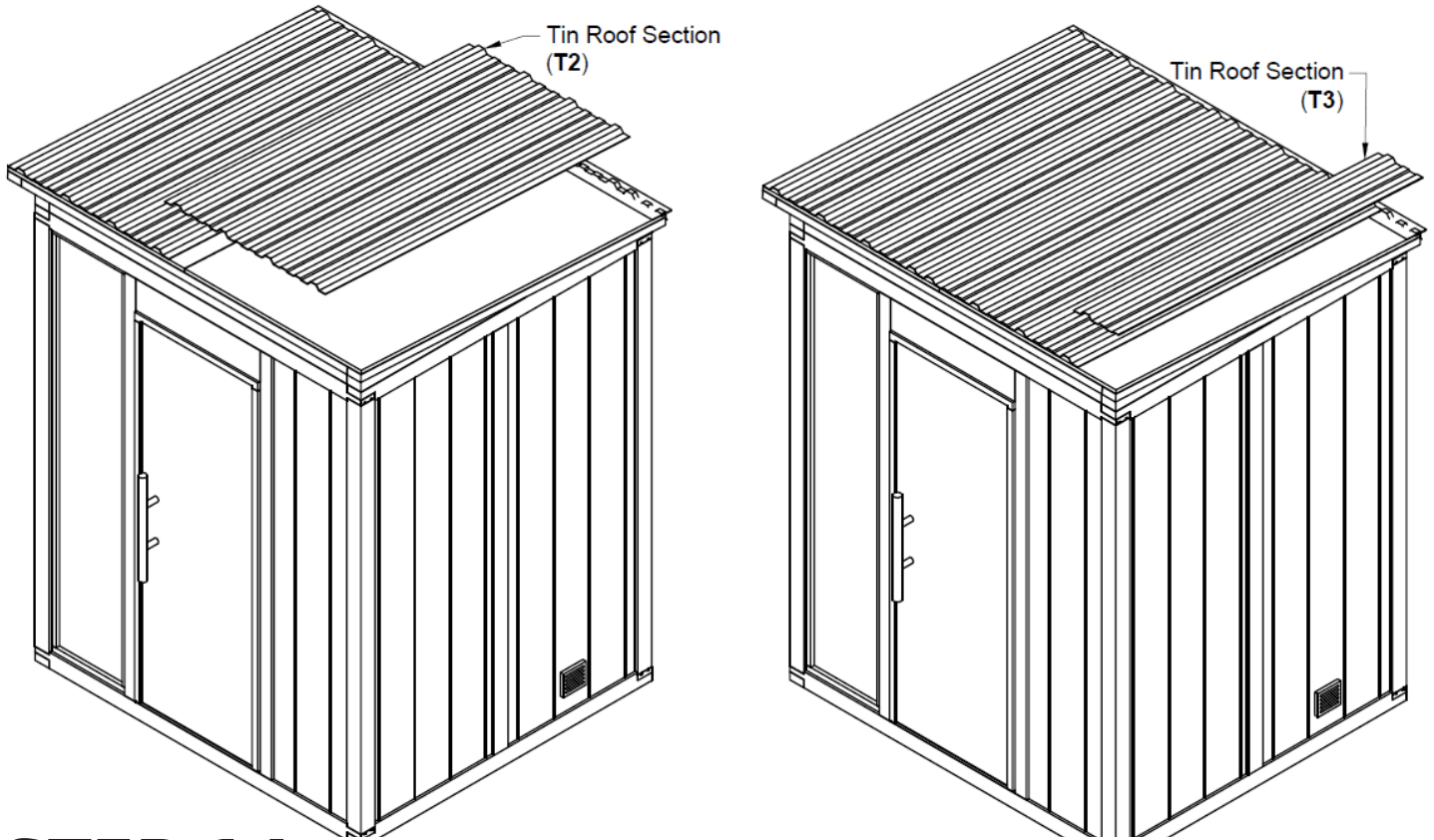
STEP 12

SLIDE THE FIRST SECTION OF DRIP EDGE FOAM UNDER **T1** ALIGNING THE RIDGES OF THE FOAM WITH THE TIN. CONNECT THE OTHER FOAM SECTIONS. CUT ANY EXCESS FOAM OFF. FINISH ATTACHING **T1** TO THE ROOF.



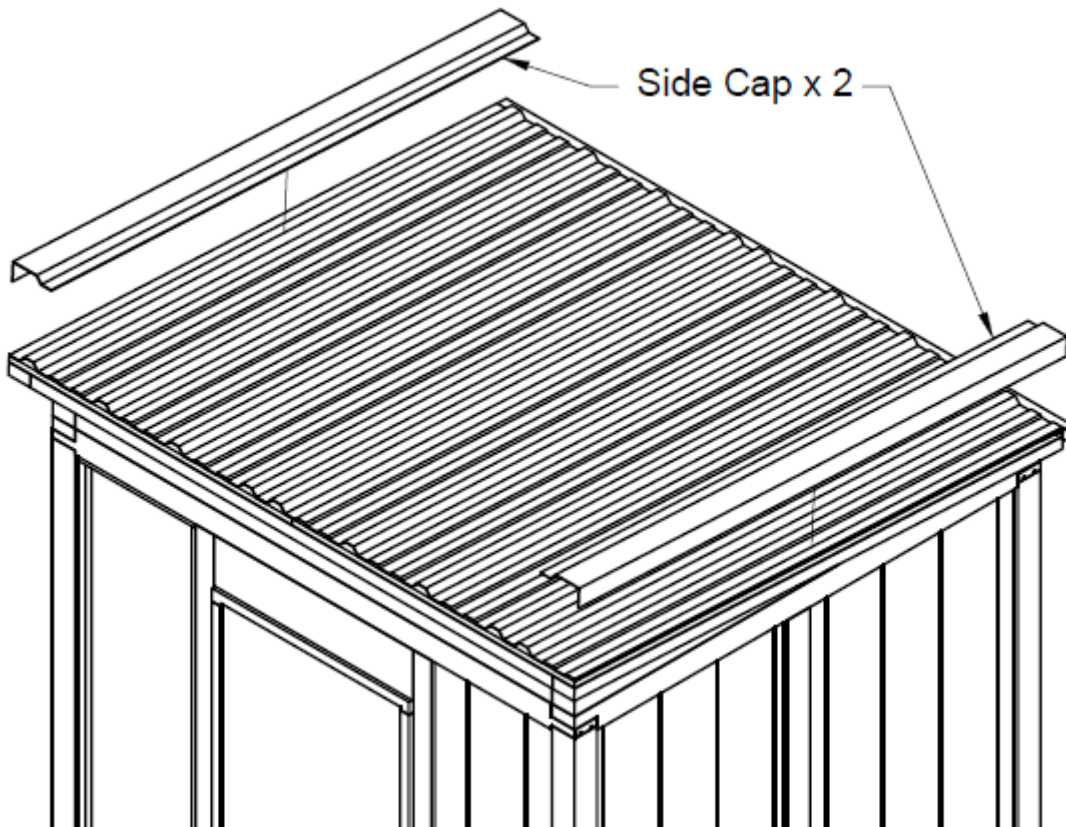
STEP 13

ATTACH T2 AND T3 TIN ROOF SECTIONS TO THE ROOF.



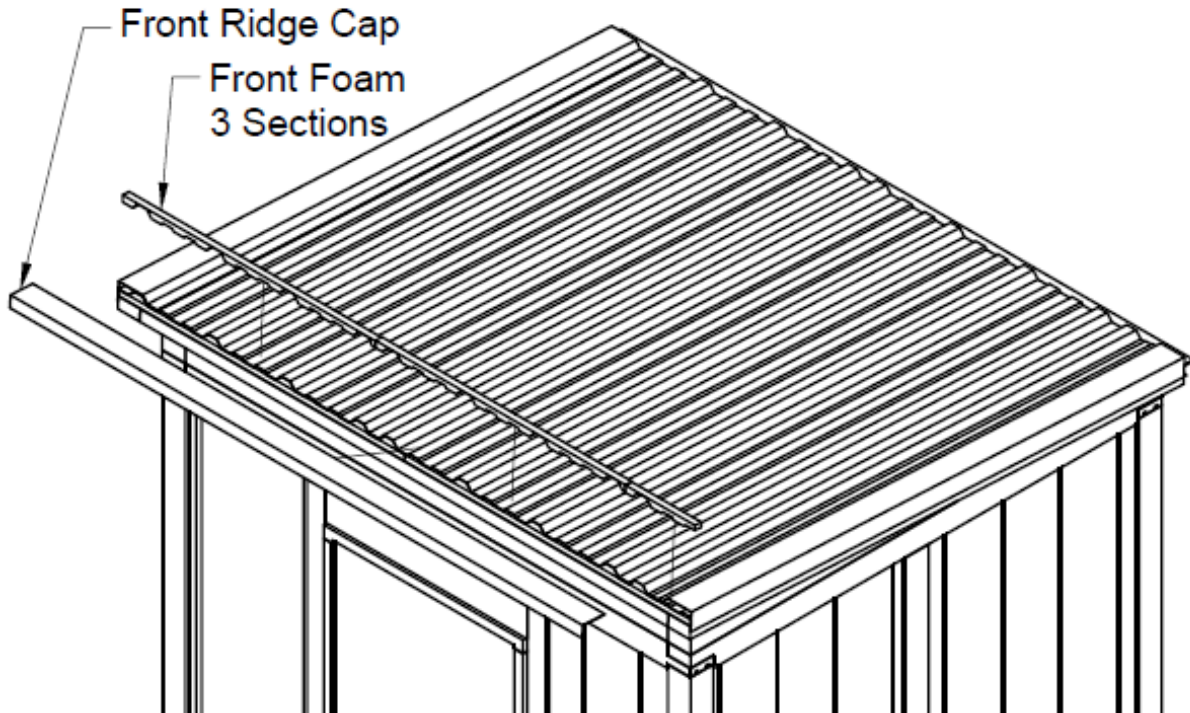
STEP 14

ATTACH THE 2 SIDE CAPS ON EITHER SIDE OF THE ROOF.



STEP 15

ALIGN ONE SECTION THE FRONT EDGE FOAM TO THE RIDGES OF THE ROOF, STARTING FROM THE LEFT SIDE AND CONNECTING THE OTHER SECTIONS. CUT OFF ANY EXCESS. ATTACH THE FRONT RIDGE CAP USING 1 1/2" ROOFING SCREWS.



CONGRATULATIONS!

THE ASSEMBLY OF YOUR MOD4 SAUNA IS NOW COMPLETE. ALL THAT IS REQUIRED NOW IS TO ENJOY YOUR NEW MOD4 SAUNA.

CONTACT US

FEEL FREE TO REACH OUT TO US WITH ANY QUESTIONS OR CONCERNS ABOUT THE INSTALLATION OR USE OF YOUR MOD4.