



Installation, Operation & Maintenance Manual

SteamPodTM

IMPORTANT: Leave this material with the homeowner

mr.steam[®] | Feel Good Inc.[®]

READ ME FIRST!

⚠️ WARNING As you follow these instructions, you will notice warning and caution symbols. This blocked information is important for the safe and efficient installation and operation of this generator. These are types of potential hazards that may occur during installation and operation:

⚠️ WARNING Indicates a potentially hazardous situation, which, if not avoided, could result in death or serious injury.

⚠️ CAUTION Indicates a potentially hazardous situation, which, if not avoided may result in minor or moderate injury or product damage.

NOTICE is used to address practices not related to physical injury.

IMPORTANT NOTE: This highlights information that is especially relevant to a problem-free installation.

All information in these instructions is based on the latest product information available at the time of publication. MrSteam reserves the right to make changes at any time without notice. More current instructions may be available at www.mrsteam.com.

When installing and using this electrical equipment, basic safety precautions should always be followed, including the following:

IMPORTANT SAFETY INSTRUCTIONS

1. READ AND FOLLOW ALL INSTRUCTIONS

2. ⚠️ WARNING

Supervise children at all times.

3. ⚠️ WARNING

Steam is hot and can cause injury or death if improperly used. Steam rooms contain steam and elevated temperatures. Please read and observe all warnings in this manual before installing or using a steam room.

4. ⚠️ WARNING

To reduce the risk of injury:

- A.** The wet surfaces of steam enclosures may be slippery. Use care when entering or leaving.
- B.** The steam head is hot. **DO NOT** touch the steam head and avoid the steam near the steam head.
- C.** Prolonged use of the steam system can raise excessively the internal human body temperature and impair the body's ability to regulate its internal temperature (hyperthermia).

Limit your use of steam to 10-15 minutes until you are certain of your body's reaction.

- D.** Excessive temperatures have a high potential for causing fetal damage during the early months of pregnancy. Pregnancy or possibly pregnant women should consult a physician regarding correct exposure.
- E.** Obese persons and persons with a history of heart disease, low or high blood pressure, circulatory system problems, or diabetes should consult a physician before using a steambath.
- F.** Persons using medication should consult a physician before using a steambath since some medication may induce drowsiness while other medications may affect heart rate, blood pressure and circulation.

SAVE THESE INSTRUCTIONS

⚠️ WARNING

REDUCE THE RISK OF OVERHEATING AND SCALDING

1. EXIT IMMEDIATELY IF UNCOMFORTABLE, DIZZY OR SLEEPY. STAYING TOO LONG IN A HEATED AREA IS CAPABLE OF CAUSING OVERHEATING.
2. SUPERVISE CHILDREN AT ALL TIMES.
3. CHECK WITH A DOCTOR BEFORE USE IF PREGNANT, DIABETIC, IN POOR HEALTH OR UNDER MEDICAL CARE.
4. BREATHING HEATED AIR IN CONJUNCTION WITH CONSUMPTION OF ALCOHOL, DRUGS, OR MEDICATION IS CAPABLE OF CAUSING UNCONSCIOUSNESS.
5. DO NOT CONTACT STEAM HEAD OR STEAM AT THE STEAM HEAD.

REDUCE THE RISK OF SLIPPING AND FALL INJURY

1. USE CARE WHEN ENTERING OR EXITING THE STEAM ROOM. FLOOR MAY BE SLIPPERY

NOTE: FOR ADDITIONAL SAFETY CONSIDERATIONS SEE OWNER'S MANUAL

WHICH IS KEPT:

THE OWNER'S MANUAL CAN BE FOUND AT WWW.MRSTEAM.COM

USE OF STEAM ROOM IN CONJUNCTION WITH CONSUMPTION OF ALCOHOL CAN BE DANGEROUS AND CAN RESULT IN INJURY THROUGH SLIP AND FALL OR OTHERWISE.

mr.steam 43-20 34th Street, Long Island City, NY 11101 • 1 800 76 STEAM • www.mrsteam.com

PUR100378 5.22

HYPERTHERMIA occurs when the internal temperature of the body reaches a level several degrees above the normal body temperature of 98.6°

F. The symptoms of hyperthermia include an increase in the internal temperature of the body, dizziness, lethargy, drowsiness, and fainting. The effects of hyperthermia include:

- a) Failure to perceive heat;
- b) Failure to recognize the need to exit the steambath;
- c) Unawareness of impending risk;
- d) Fetal damage in pregnant women;
- e) Physical inability to exit the steambath and
- f) Unconsciousness.

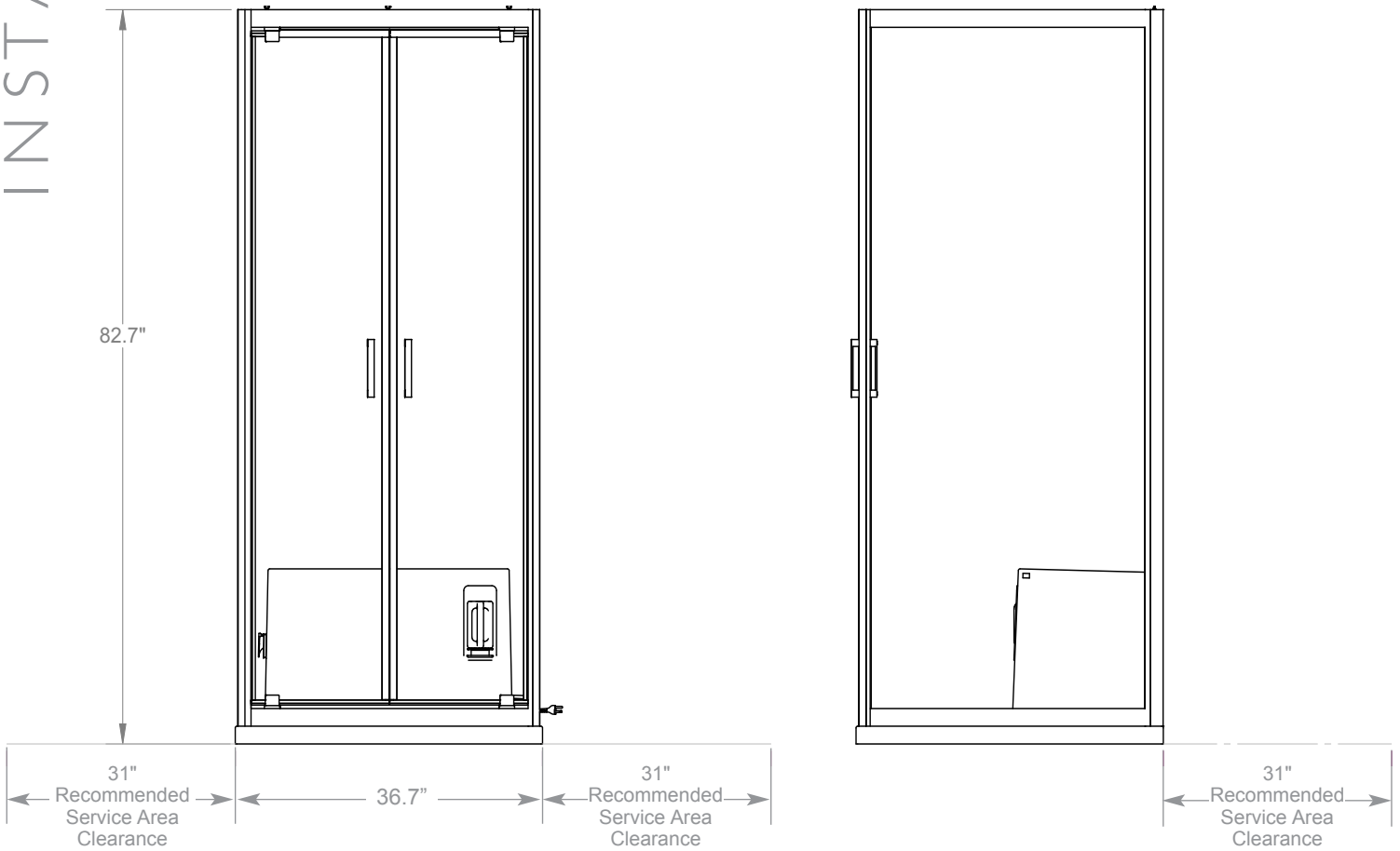
⚠️ WARNING The use of alcohol, drugs, or medication can greatly increase the risk of hyperthermia

⚠️ WARNING The peel and stick warning label is an essential part of providing a safe environment for steam room users. The peel and stick warning label is supplied with the instruction manual provided with the steam generator and must be applied to the wall of the shower or steam enclosure, at a point that is visible to all users. Failure to install this sticker may result in serious injury or death.

TABLE OF CONTENTS

Important Safety Instructions	1
SteamPod Dimensions	3
Locating SteamPod	3
Tools Needed.....	3
Parts Included	4
Parts & Components	5
Shower Enclosure Installation.....	5-23
Electrical Requirements.....	24
Fill Tank.....	24
Install Water Container.....	25
Tuning Generator On or Off.....	25
Sponge	25
Safety Bracket	26
Care Tips.....	26
Warranty.....	26

STEAMPOD DIMENSIONS



LOCATING STEAMPOD

Place SteamPod on a flat and leveled surface, in an environment where water would not freeze.

TOOLS NEEDED





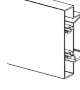
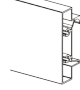



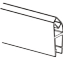




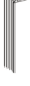


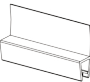

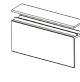

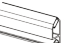




PARTS INCLUDED


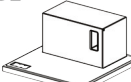











CAUTION: Items might shift during shipping.

WARNING: Wear protective eye ware & gloves when handling glass.

Box 1/3

A1  X1	A2  X2	A3  X4	A4  ST3.5X16 X8	A5  X1	A6  X1	A7  X2	
A8  ST3.5X32 X4	A9  ST3.5X25 X4	A10  X2	A11  X1	A12  X1	A13  X2	A14  X1	
A15  X1	A16  X2	A17  X2	A18  X4	A19  X1	A20  X4	A21  X1	
A22  X1	A23  X4	A24  X2					

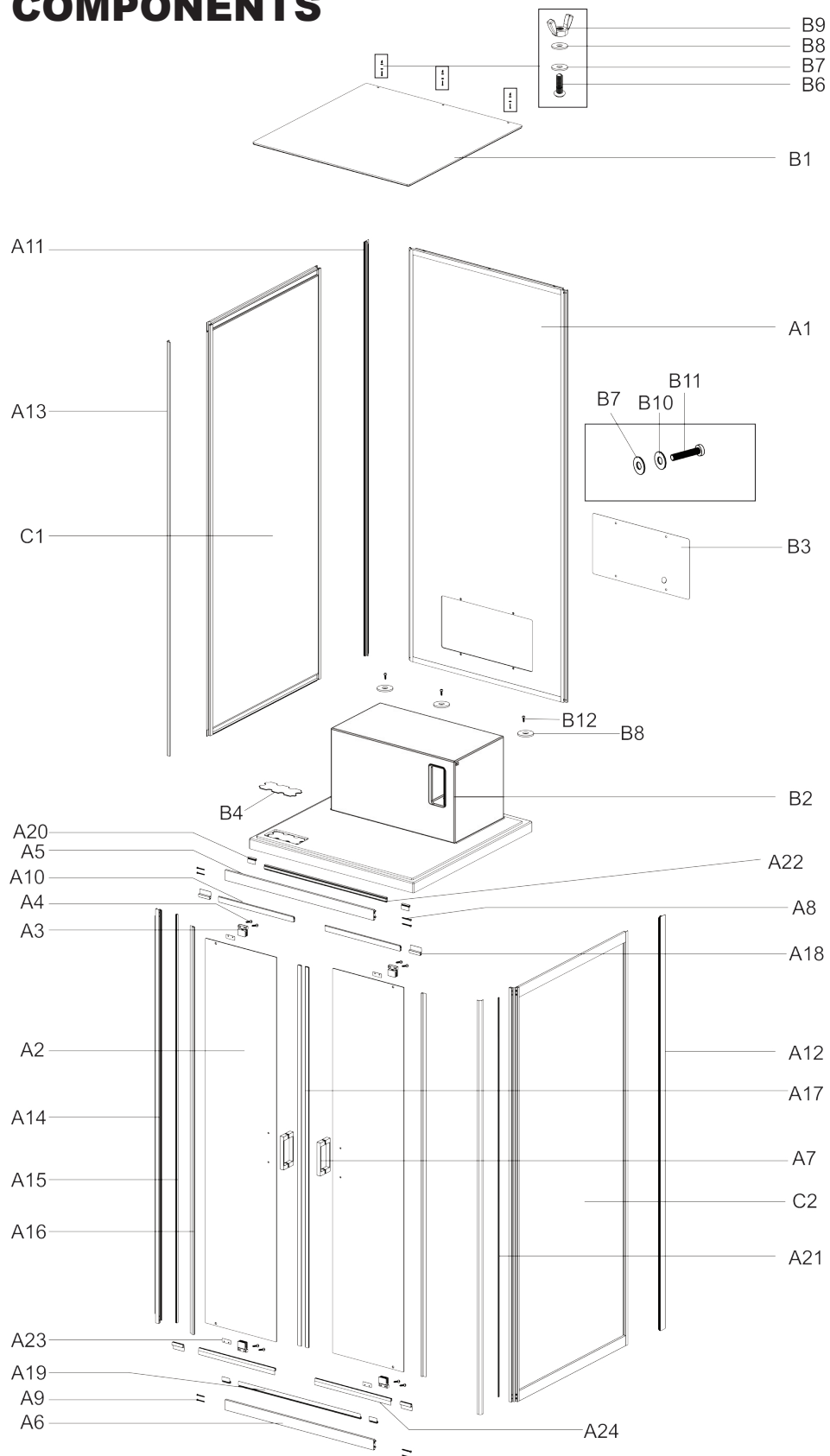
Box 2/3

B1  X1	B2  X1	B3  X1	B4  X1	B5  3M X1	B6  M4X15 X3	B7  X7
B8  X6	B9  X3	B10  X4	B11  M6X30 X4	B12  ST3.5X16 X3	B13  3M X1	

Box 3/3

C1  X1	C2  X1	
---	---	--

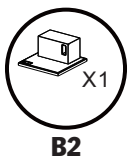
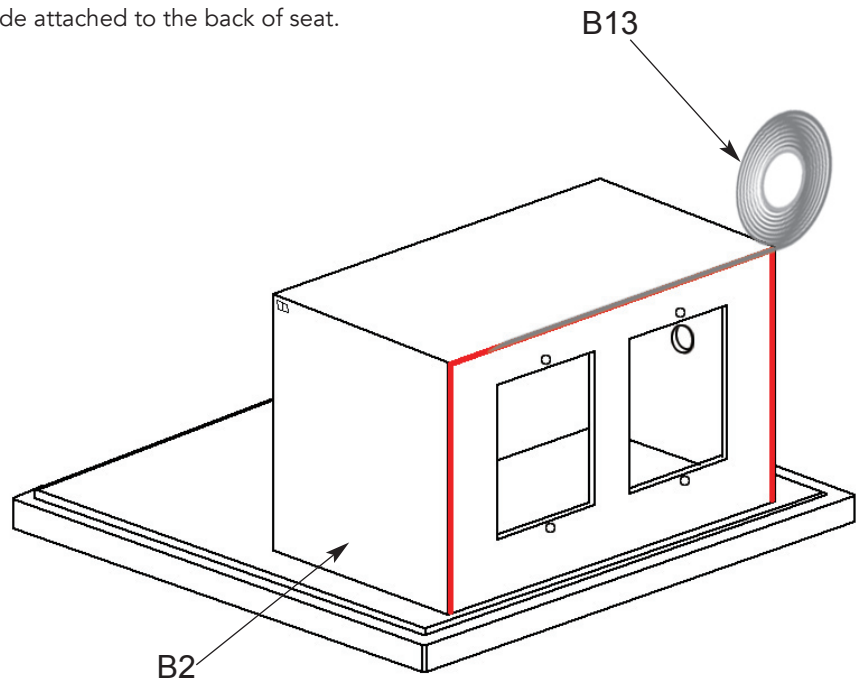
PARTS & COMPONENTS



BENCH GASKET

- ⚠ WARNING** When handling glass panels, it is important to take precautions to avoid personal injury or damage to the glass.
- ⚠ WARNING** Wear protective eye ware and gloves to avoid cuts from sharp edges or broken glass.
- ⚠ WARNING** Use caution when lifting and moving the glass panels. They can be heavy and difficult to handle.
- ⚠ WARNING** Avoid placing the glass panels on hard surfaces, as this can cause them to crack or break.
- ⚠ WARNING** If you need to transports the glass panels, use padded or cushioned materials to prevent them from rubbing or hitting against each other, which can cause them to crack or break.

Install white foam strip B13 to back of seat B2 along the entire perimeter as shown, with adhesive side attached to the back of seat.

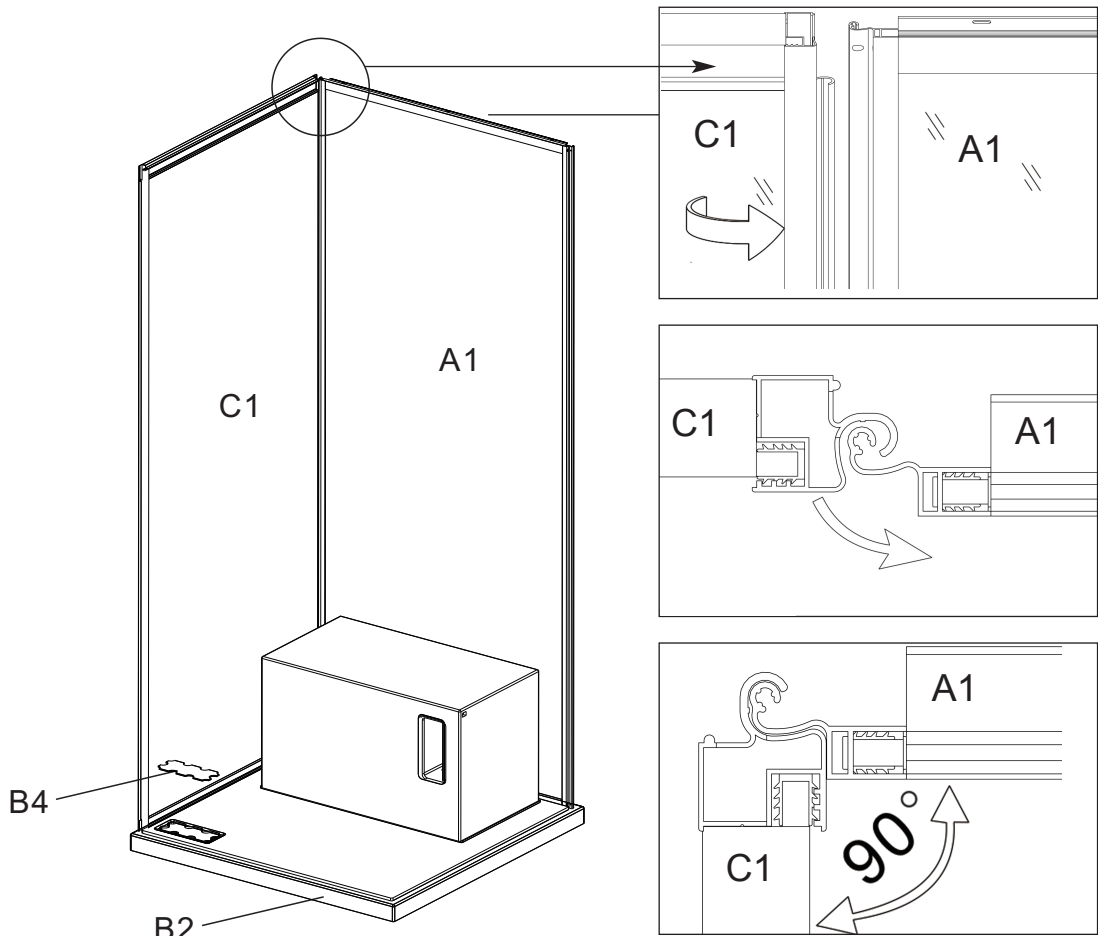


LEFT SIDE PANEL ASSEMBLY

Attach left side glass panel C1 to rear glass panel A1 by latching extrusion on both panels, then pivoting as shown.

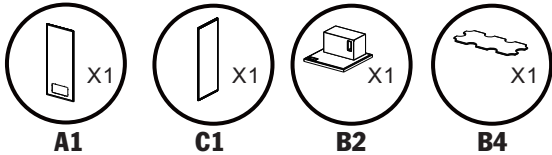
Place both glass panels A1 and C1 on base B2 as shown, ensure front of left glass panel C1 lines up with the front of step on base B2.

Place drain cover B4 into drain on base B2 as shown.



IMPORTANT NOTE: Painted surface and markings on glass should face exterior of enclosure.

WARNING: Ensure back glass panel is 90 degrees from left glass panel.

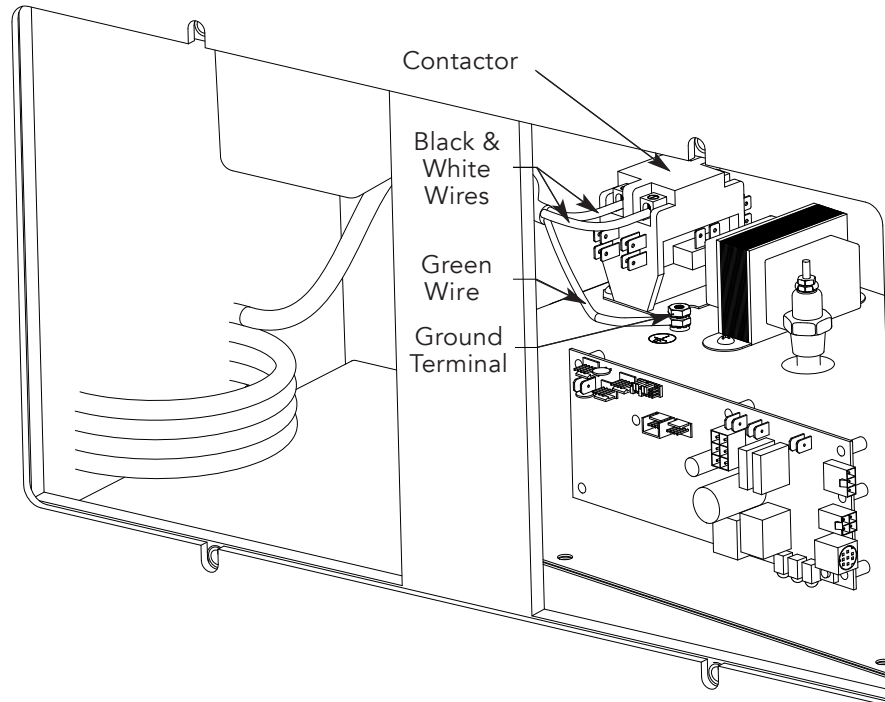
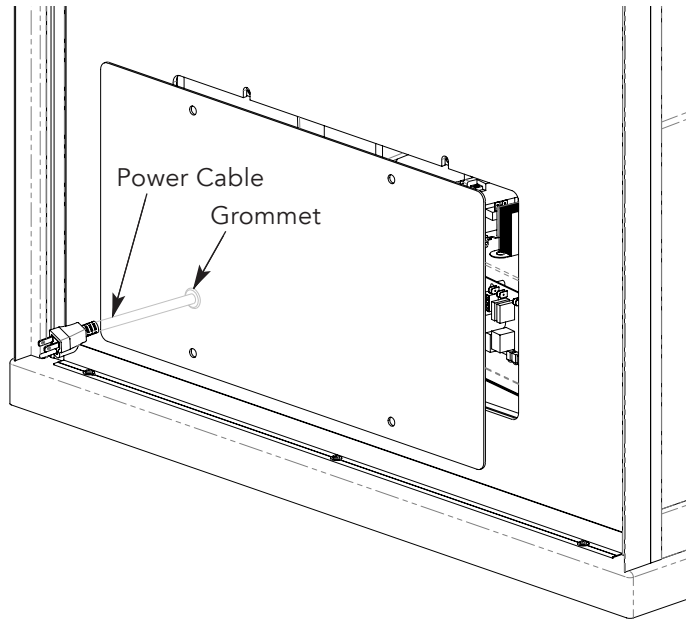


GROMMET INSTALLATION

Pull power cable through grommet on back plate.

Loosen 2 screws on contactor, fasten black and white wires from power cable to each screw terminals on contactor.

Loosen hex nut on ground terminal and attach green wire from power cable to ground terminal.

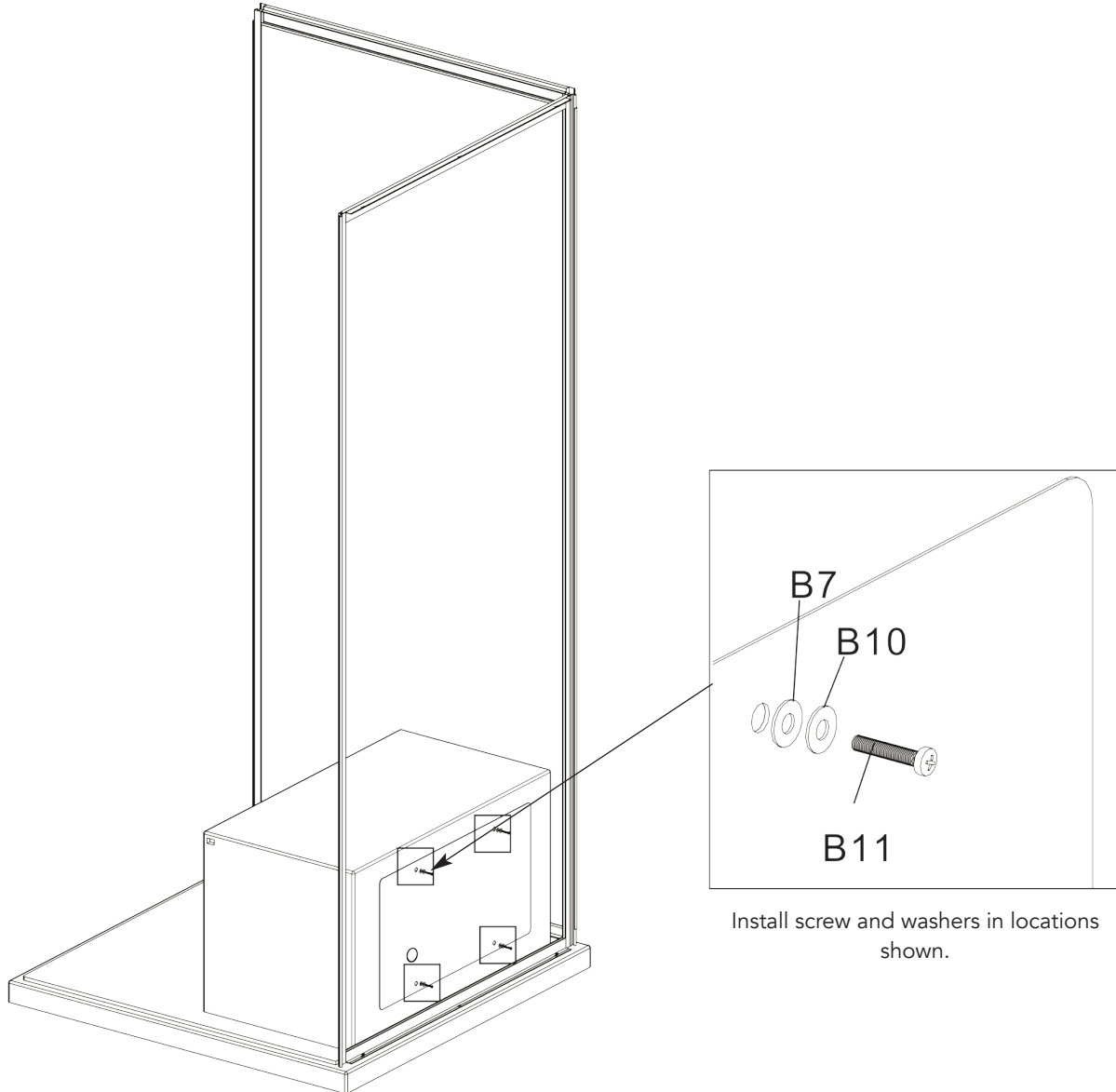


BACK PLATE INSTALLATION

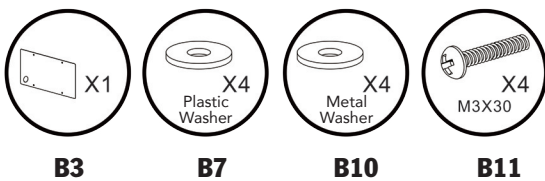
Align back metal plate B3 with screws on back of seat B2 as shown, securely attach the plastic washers B7, metal washers B8/B14 and screws B10/B11.

!WARNING Hand tighten only, do not use power tools.

!WARNING Do not over tighten, over tightening of screws might cause glass damage.

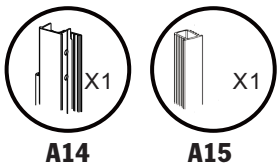
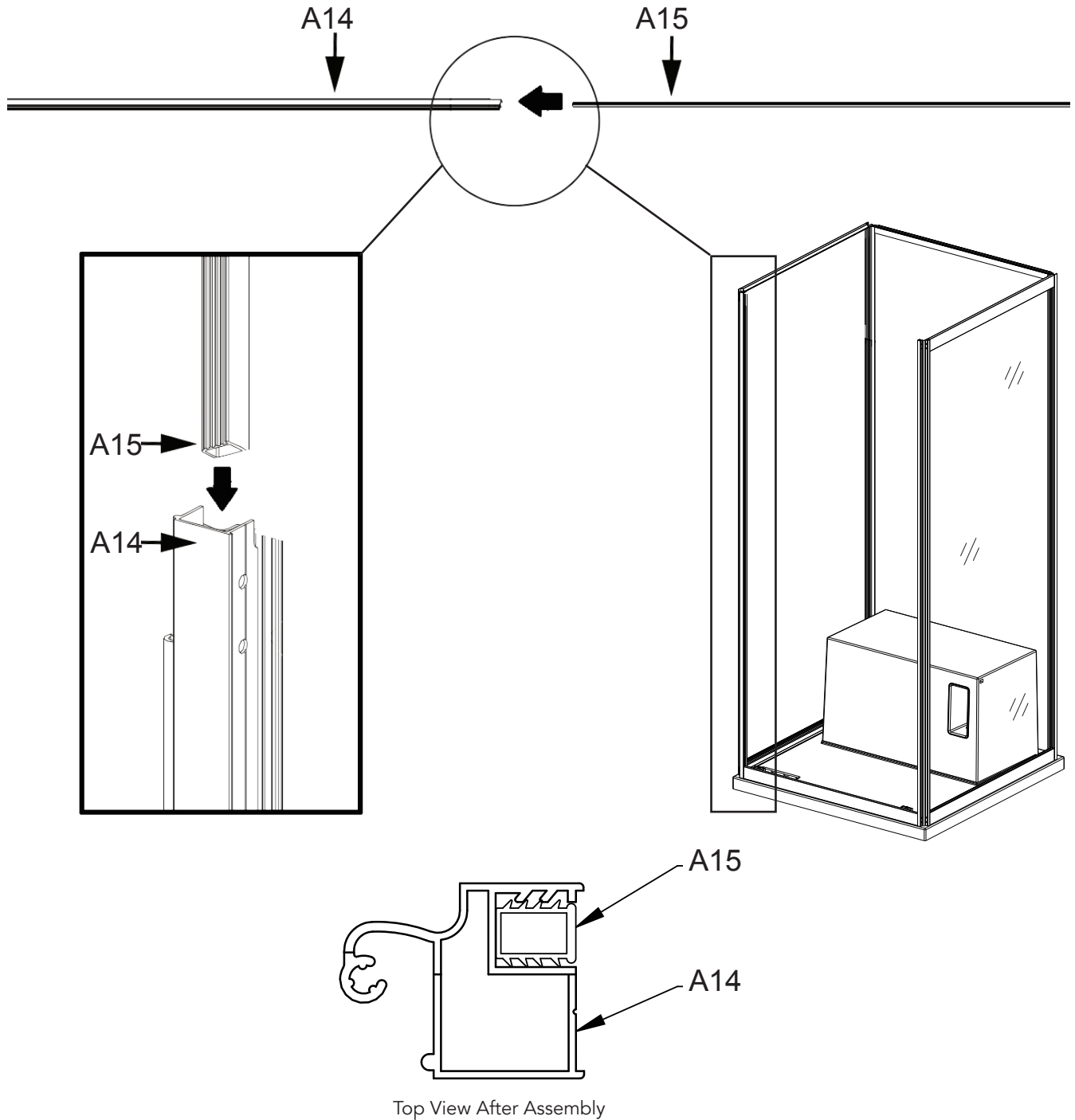


Install screw and washers in locations shown.



LEFT FRAME GASKET

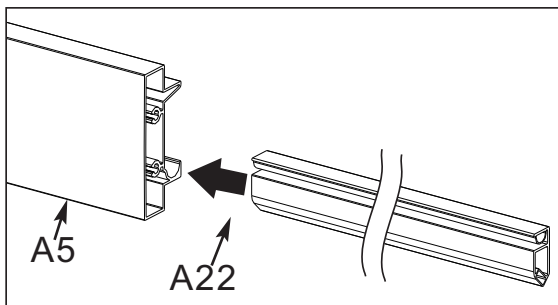
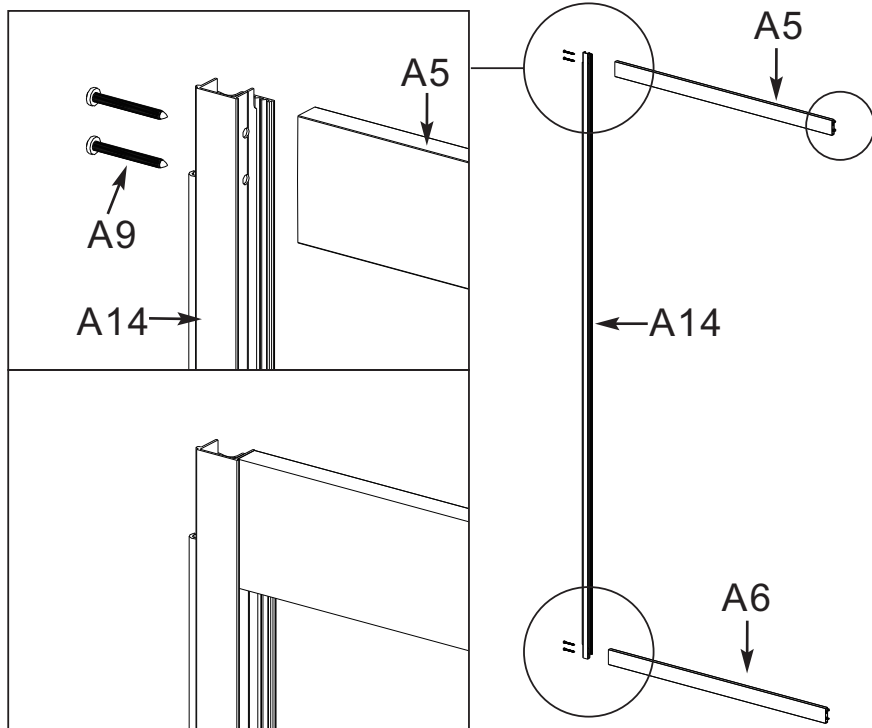
Insert gasket A15 into front side frame A14 as shown.
Ensure gasket A15 is inserted all the way into front side frame A14.



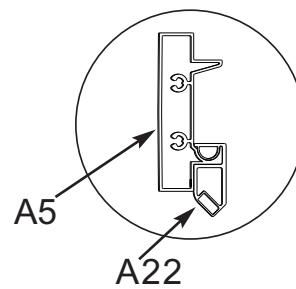
FRONT FRAME ASSEMBLY

Securely fasten top front frame A5 and bottom front frame A6 to front frame A14 with screws A9.

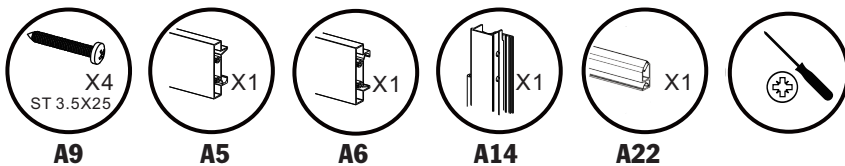
! WARNING Hand tighten only, do not use power tools.



Insert gasket A22 onto top front frame A5

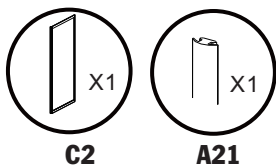
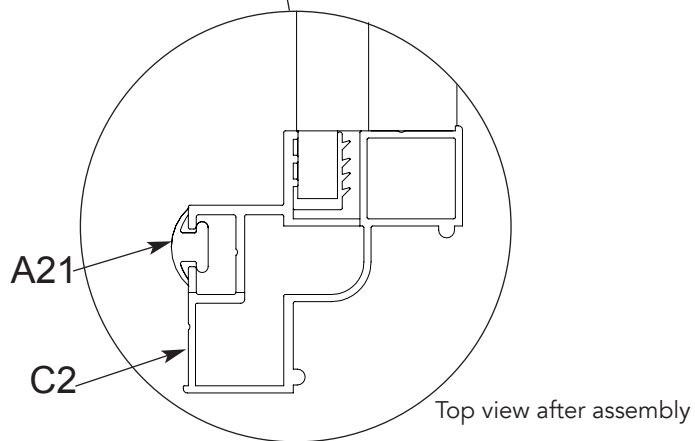
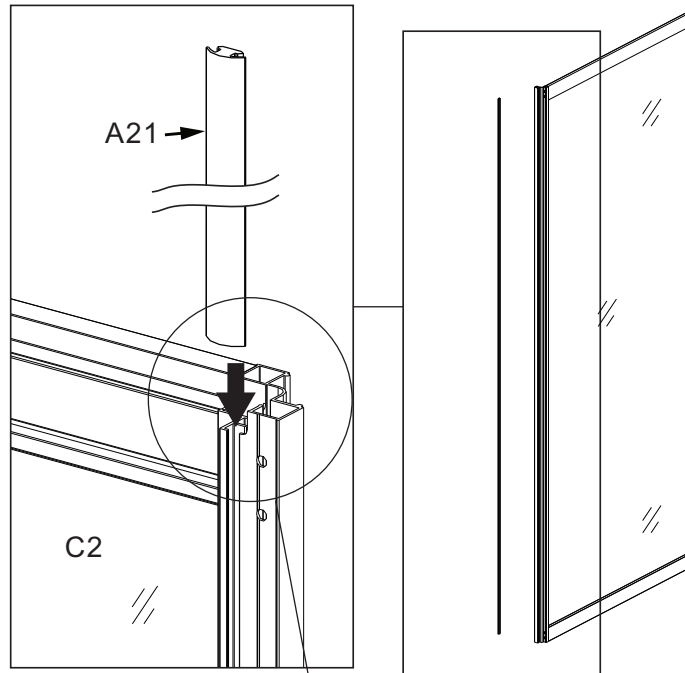


Side view after assembly



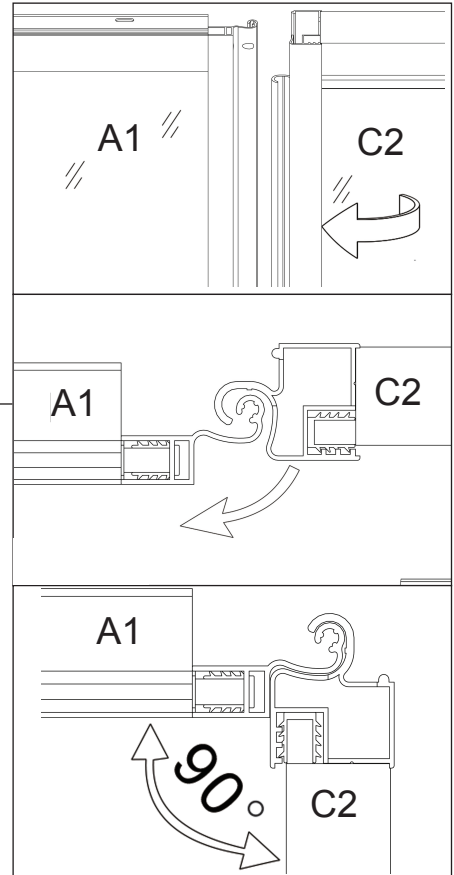
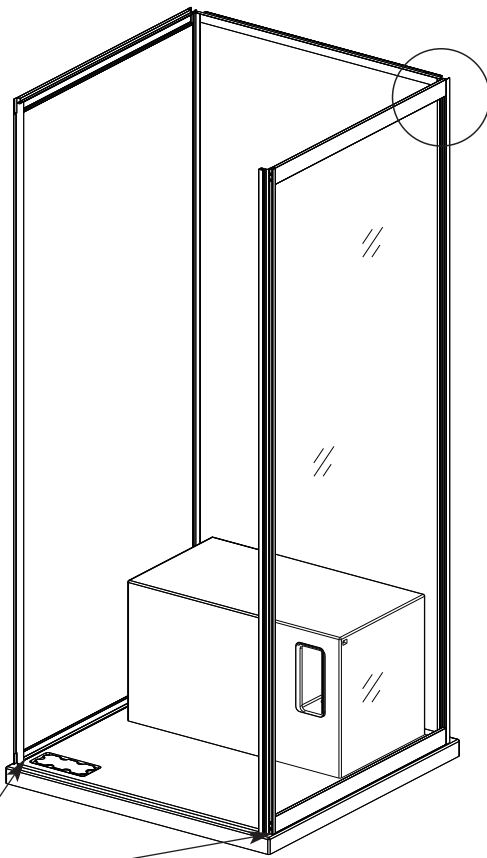
RIGHT FRAME GASKET

Insert magnetic strip A18 into the front groove of right glass panel C2. Ensure the flat magnetic surface faces front/left side.



RIGHT SIDE PANEL ASSEMBLY

Attach right side glass panel C2 to rear glass panel A1 by latching extrusions on both panels, then pivoting as shown.

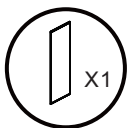


WARNING: Ensure right side glass panel is 90 degrees from back glass panel.

These 2 front surfaces do not line up with each other.

IMPORTANT NOTE: Painted surface and markings on glass should face exterior of enclosure.

WARNING: Ensure enclosure has even spacing around perimeter of base.



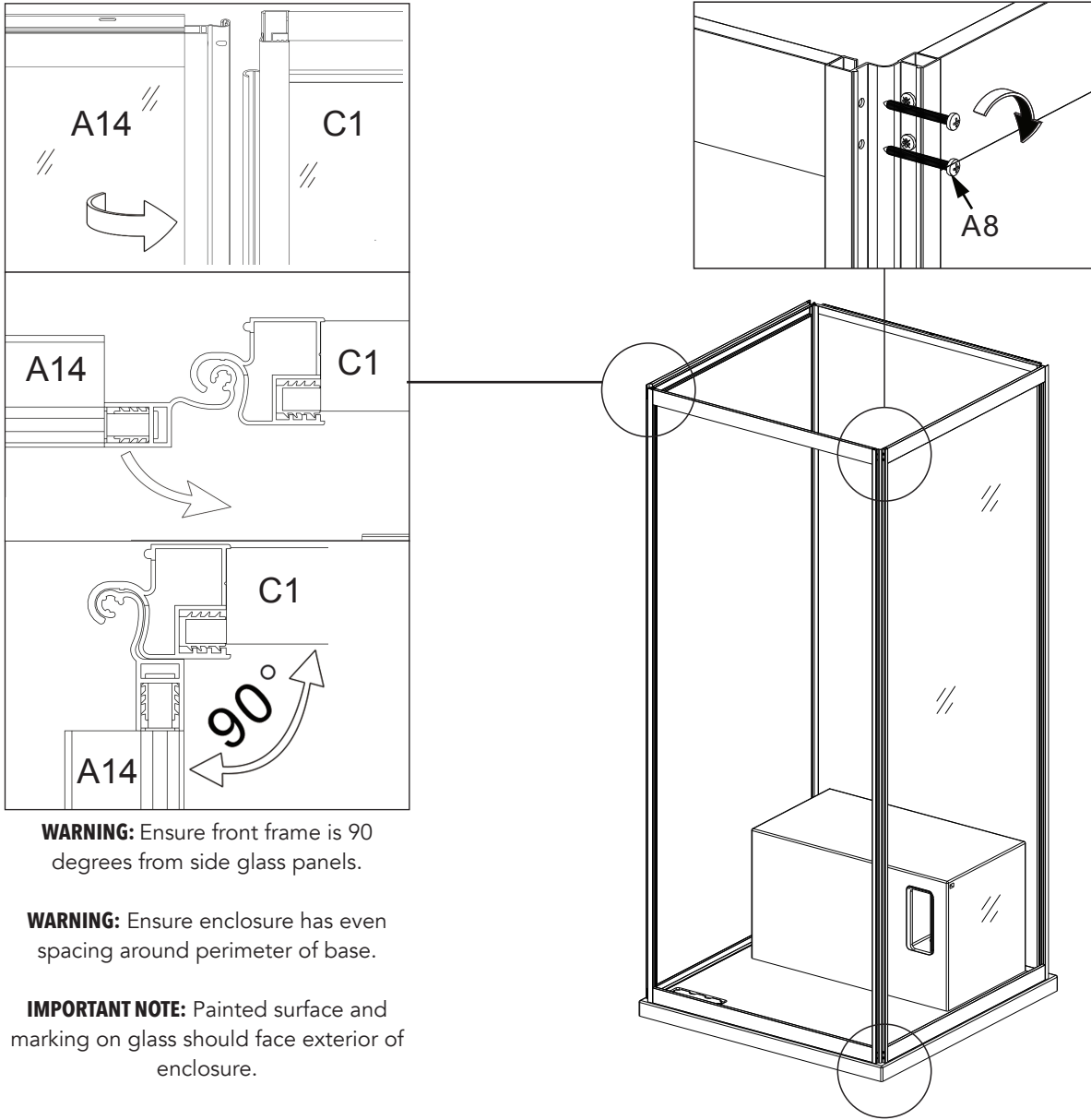
C2

FRONT FRAME INSTALLATION

Attach front frame A14 onto left glass panel C1 by latching extrusions on both panels, then pivoting as shown.

Secure front frame onto right glass panel C2 with provided screws A8 as shown.

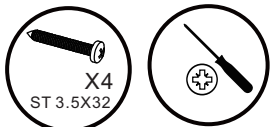
!WARNING Hand tighten only, do not use power tools.



WARNING: Ensure front frame is 90 degrees from side glass panels.

WARNING: Ensure enclosure has even spacing around perimeter of base.

IMPORTANT NOTE: Painted surface and marking on glass should face exterior of enclosure.



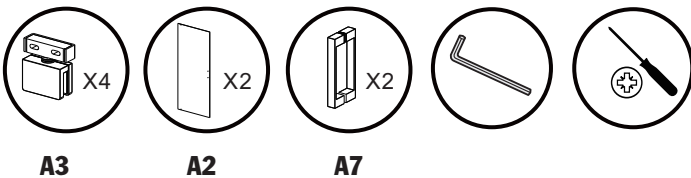
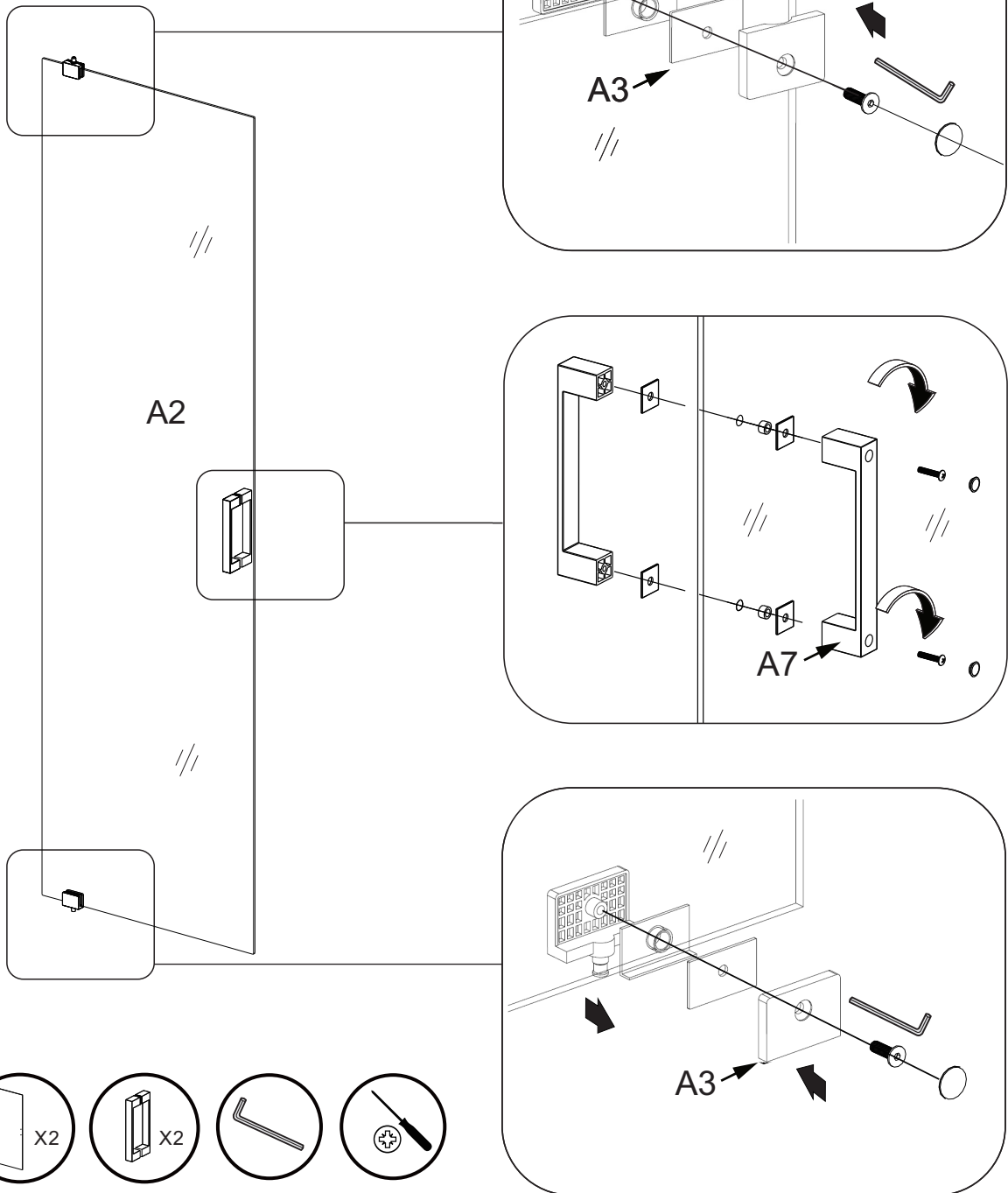
A13

DOOR HINGES AND HANDLE INSTALLATION

Install door hinges A3 and handle A7 onto glass door panel A2 as shown.

Use provided allen wrench for hinges.

⚠ WARNING Hand tighten only, do not use power tools.



DOOR INSTALLATION

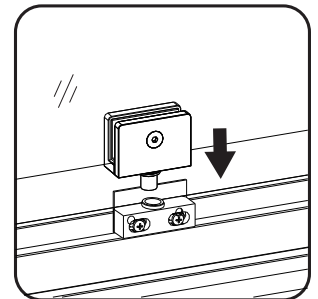
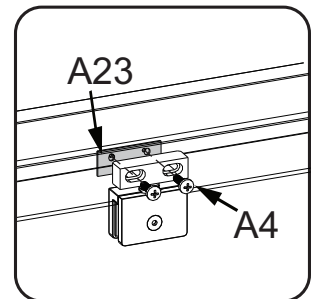
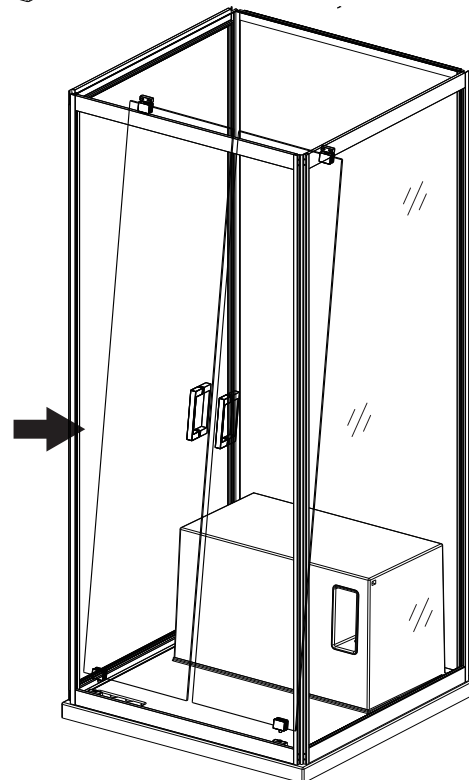
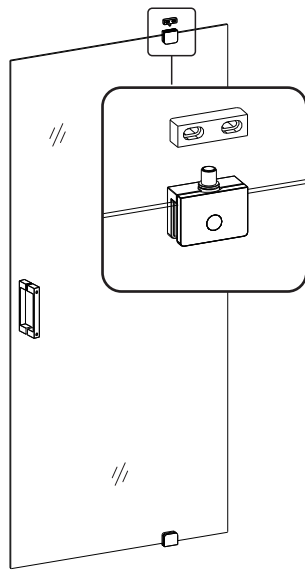
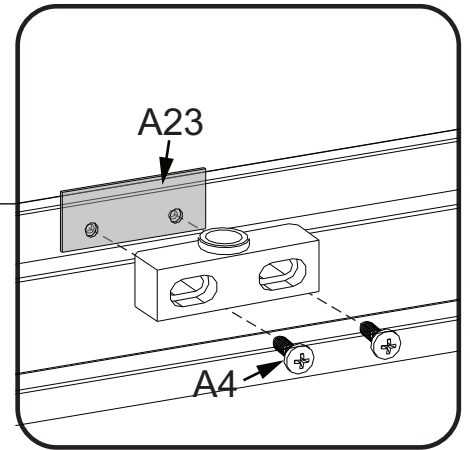
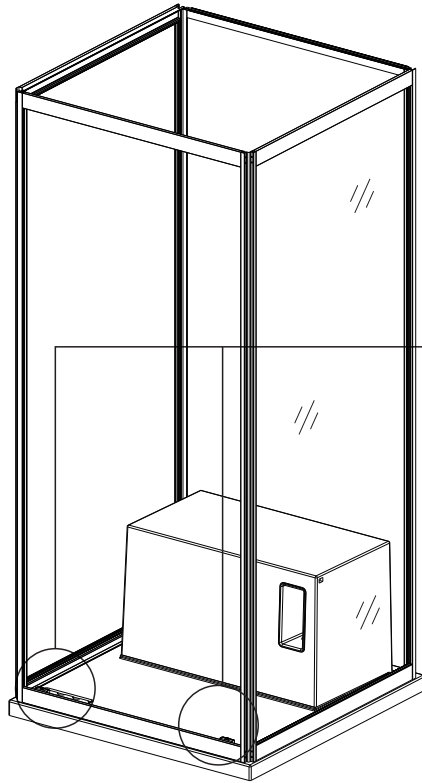
Install gasket A23 and door hinge onto bottom front frame with screws A4 as shown.

!WARNING Hand tighten only, do not use power tools.

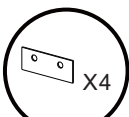
Place glass door A2 into bottom hinge.

Place door hinge on top of glass door A2.

From inside of enclosure, press gasket A23 and glass door against front frame, secure door hinge onto top frame with screws A4.



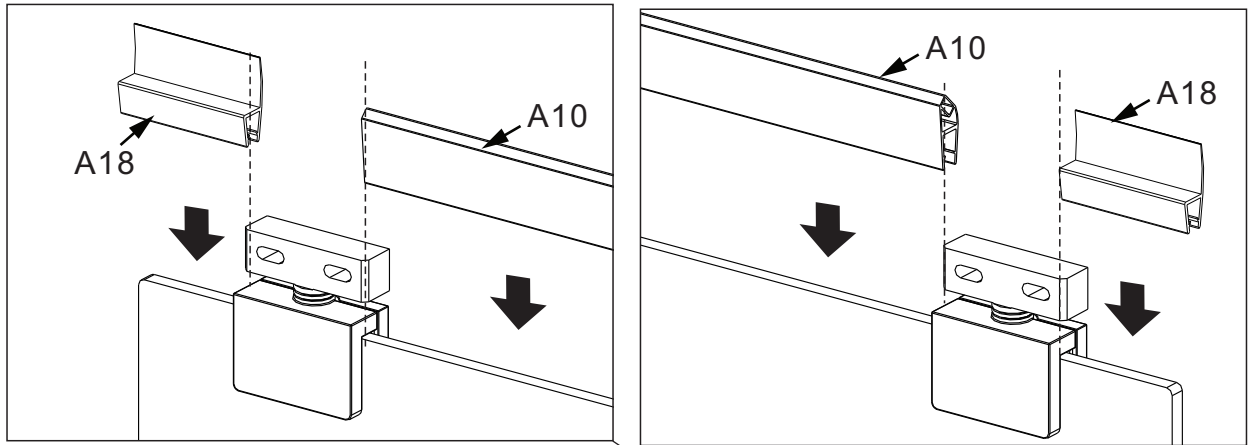
A12



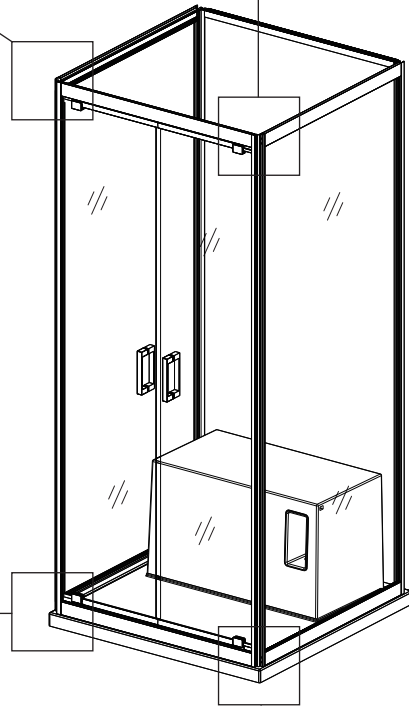
A23

CAUTION: Install doors one at a time to avoid possible personal and property damages.

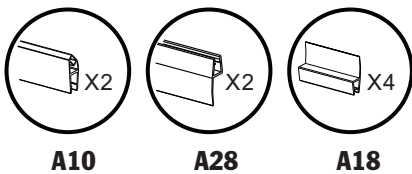
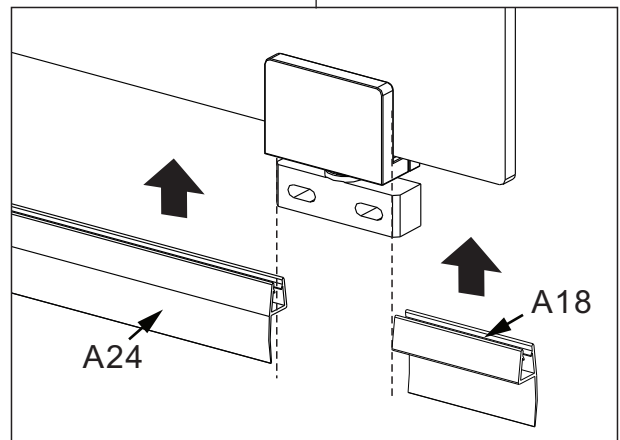
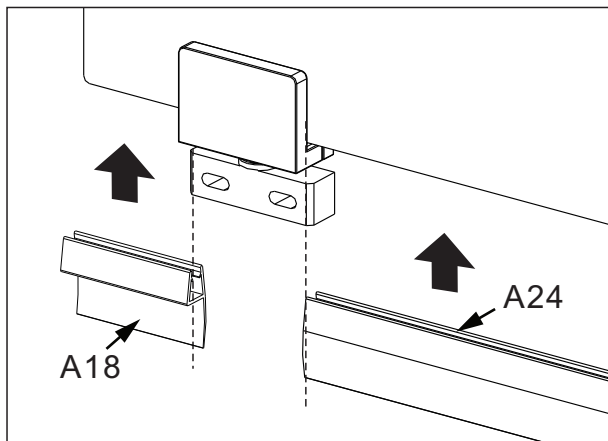
DOOR GASKET INSTALLATION (TOP & BOTTOM)



Install door gasket A10 and A18 on top of door.



Install door gasket A18 and A24 to bottom of door.

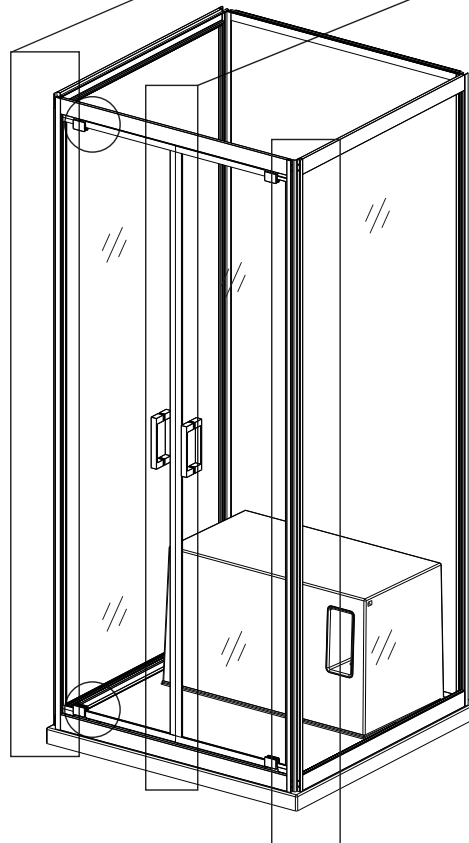
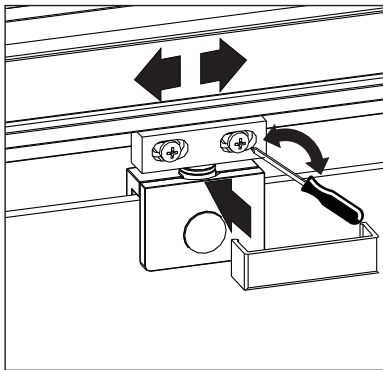
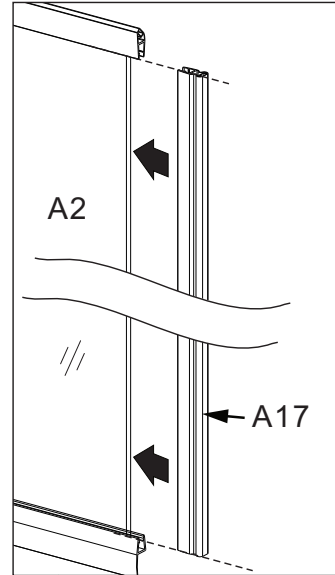
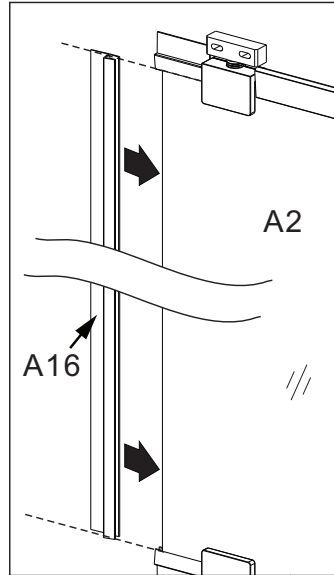


DOOR GASKET INSTALLATION (SIDES)

Install silicone gasket A16 onto left side of glass door panel A2. Trim excess with a cutter.

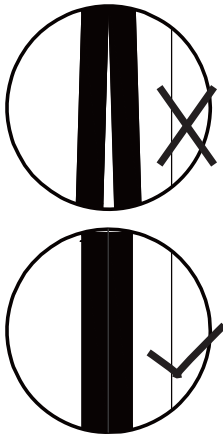
Install magnetic gasket A17 onto the right side of glass door panel A2. Trim excess with a cutter.

Use below image as guidance.

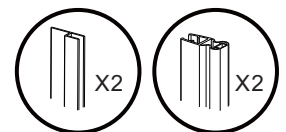


A18	A10	A10	A18
A16	Door	A17 A16	Door A16
A18	A10	A10	A18

Suggested guidance on how gaskets should look after installation.



WARNING Ensure center magnetic strips make full contact with each other. Adjust hinge assemblies on top and/or bottom of doors if necessary.



A16

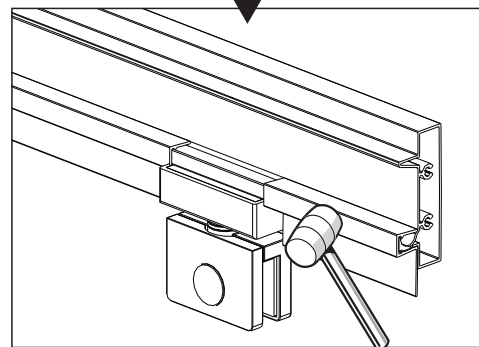
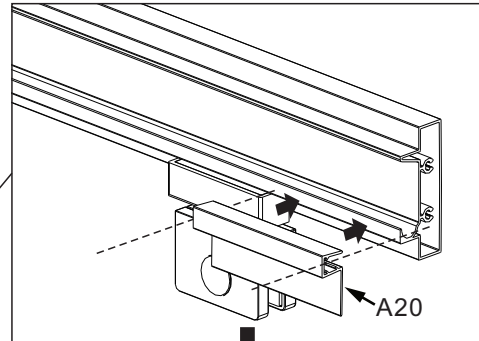
A17

FRAME GASKET INSTALLATION

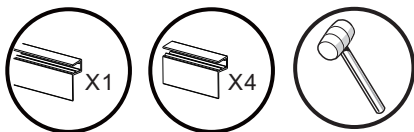
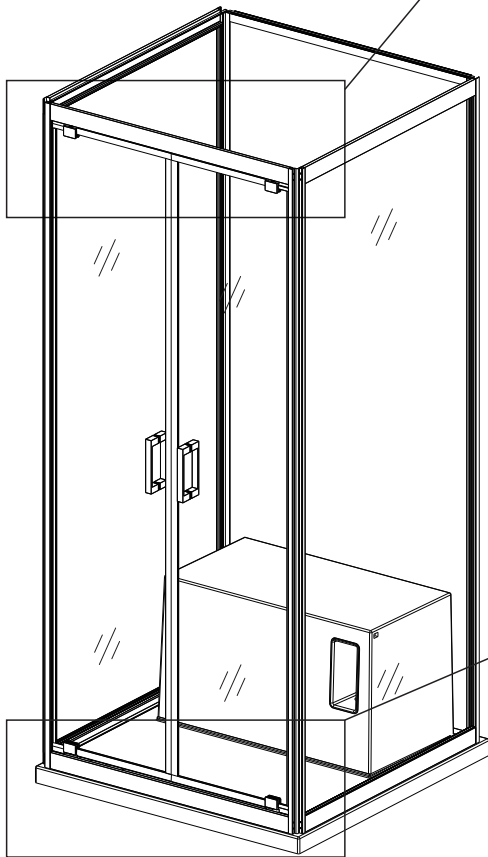
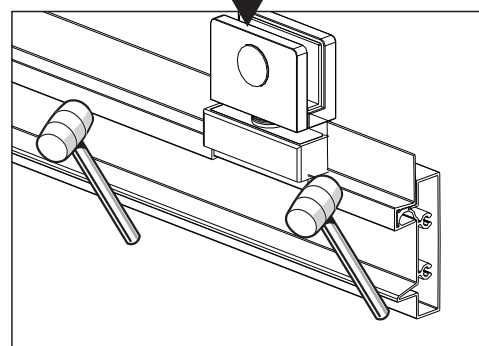
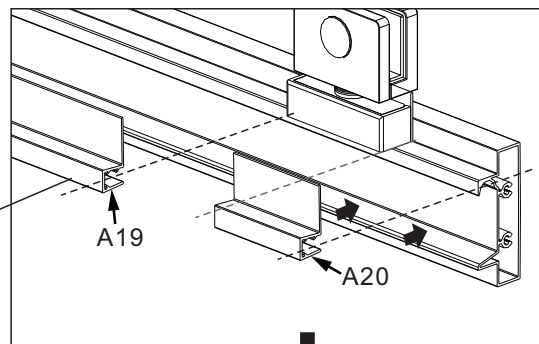
Install gasket A20 on the inside of top door frame with a mallet.

Install gasket A19 and A20 on the inside of bottom door frame with a mallet.

Install gasket A20 on top door frame.



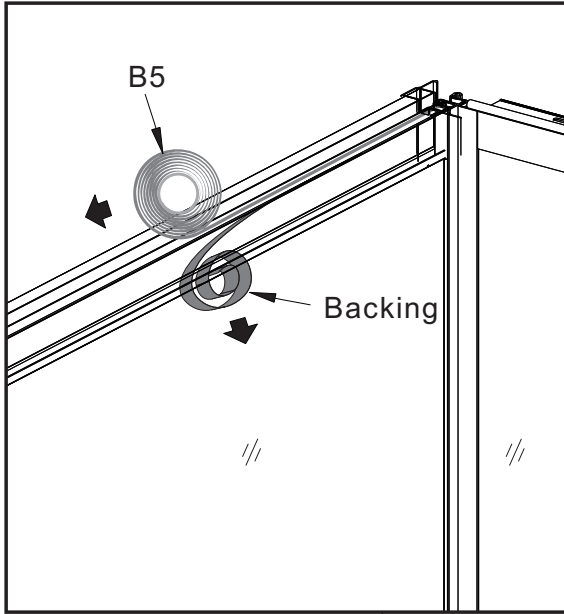
Install gasket A19 and A20 on bottom door frame.



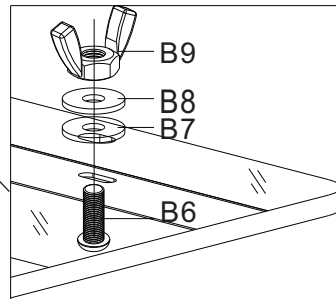
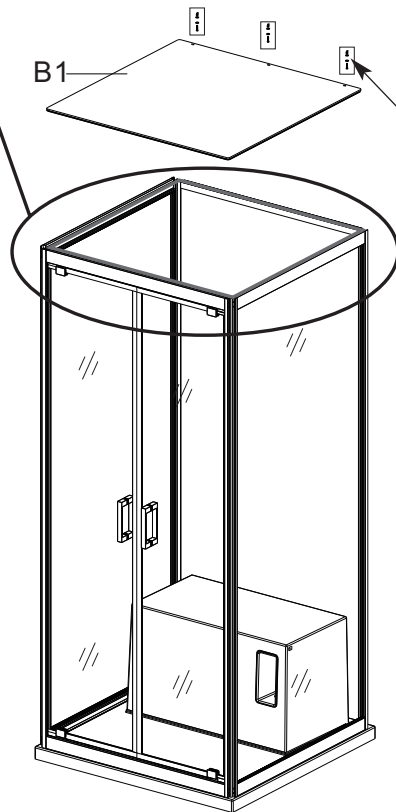
A19

A20

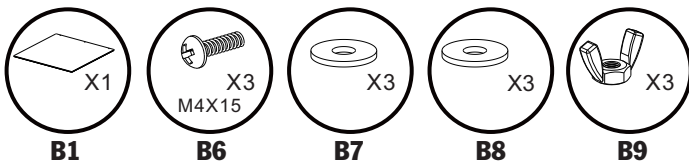
TOP INSTALLATION



Install black foam gasket along top perimeter of enclosure, with adhesive side down, remove paper backing.



Place top glass as shown. Align 3 mounting holes with slots on alum extrusion, secure with screw, washers and wing nut.

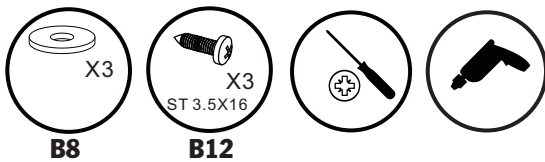
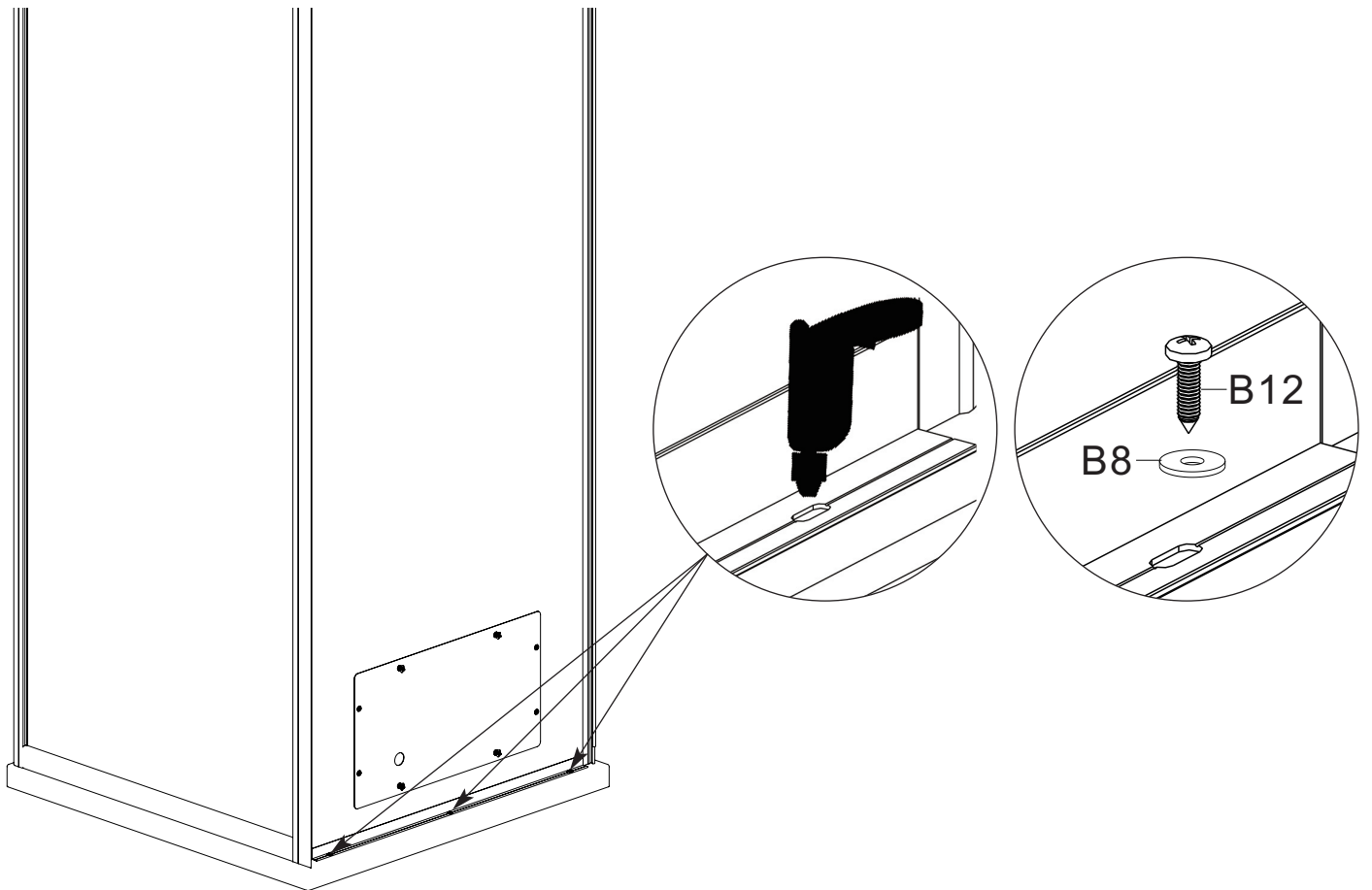


SECURING ENCLOSURE TO BASE

Drill 3 holes (1/8") on base, using slots on back glass panel's extrusion as guides.

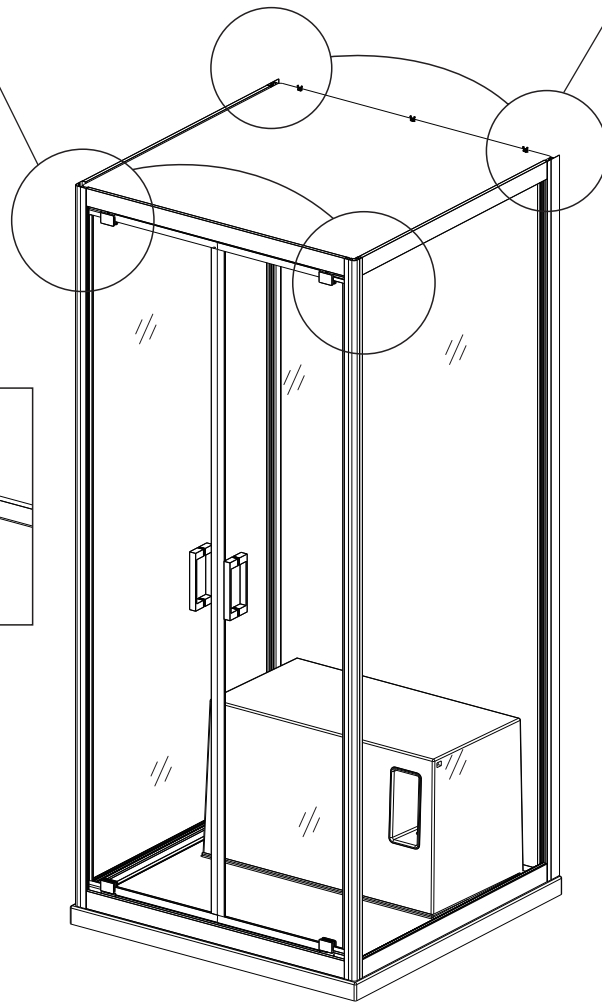
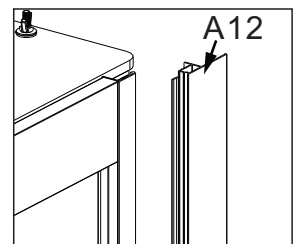
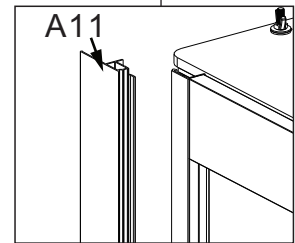
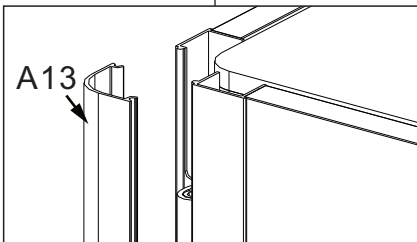
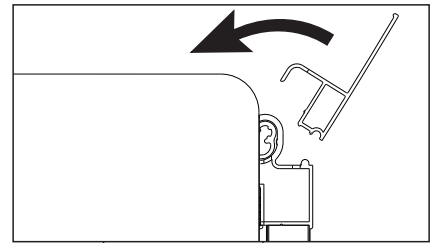
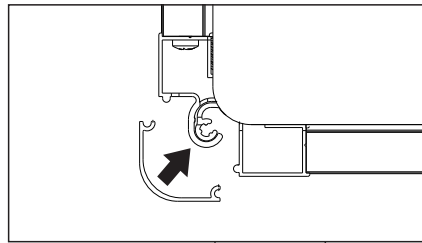
Securely install screw B12 and washer B8 in 3 holes.

!WARNING Hand tighten only, do not use power tools.

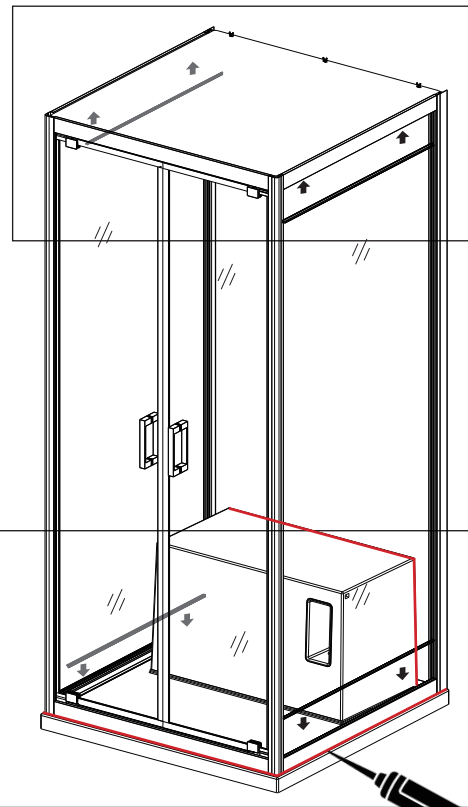
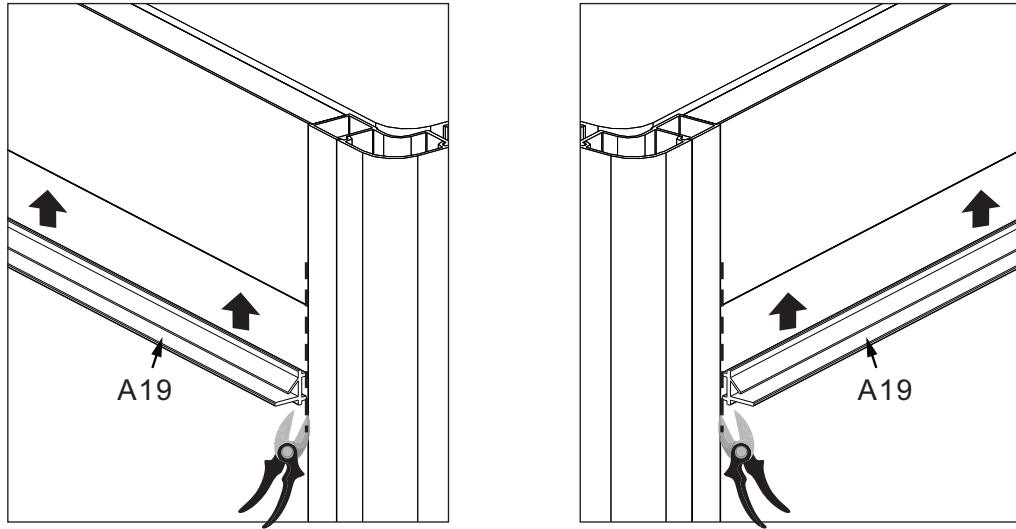


CORNER REINFORCEMENT

Install corner re-enforcements with a rubber mallet.

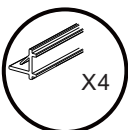


SEALING



Install gasket A19 on top and bottom of side glass. Trim excess with a cutter.

Wipe clean base and bottom frames, ensure all surfaces are free of particles and debris. Apply silicone to base and top of frame, also back of seat to create a moisture seal.



A19

ELECTRICAL REQUIREMENTS

- Plug power cord of SteamPod directly into a wall outlet, do not use any power strip or extension cords.
- ⚠ **CAUTION** Failure to plug SteamPod's power cord directly into a wall outlet may cause property damage.
- Unplug power cord from wall outlet when not in use.
- ⚠ **CAUTION** Failure to unplug power cord from wall outlet when not in use may cause property damage.

KW	Voltage	Phase	Amp	Wire Size (AWG)	Outlet Type
2.2	120	1	18	12	NEMA 6-20

FILL TANK

Initial fill might take more than one tank of water.

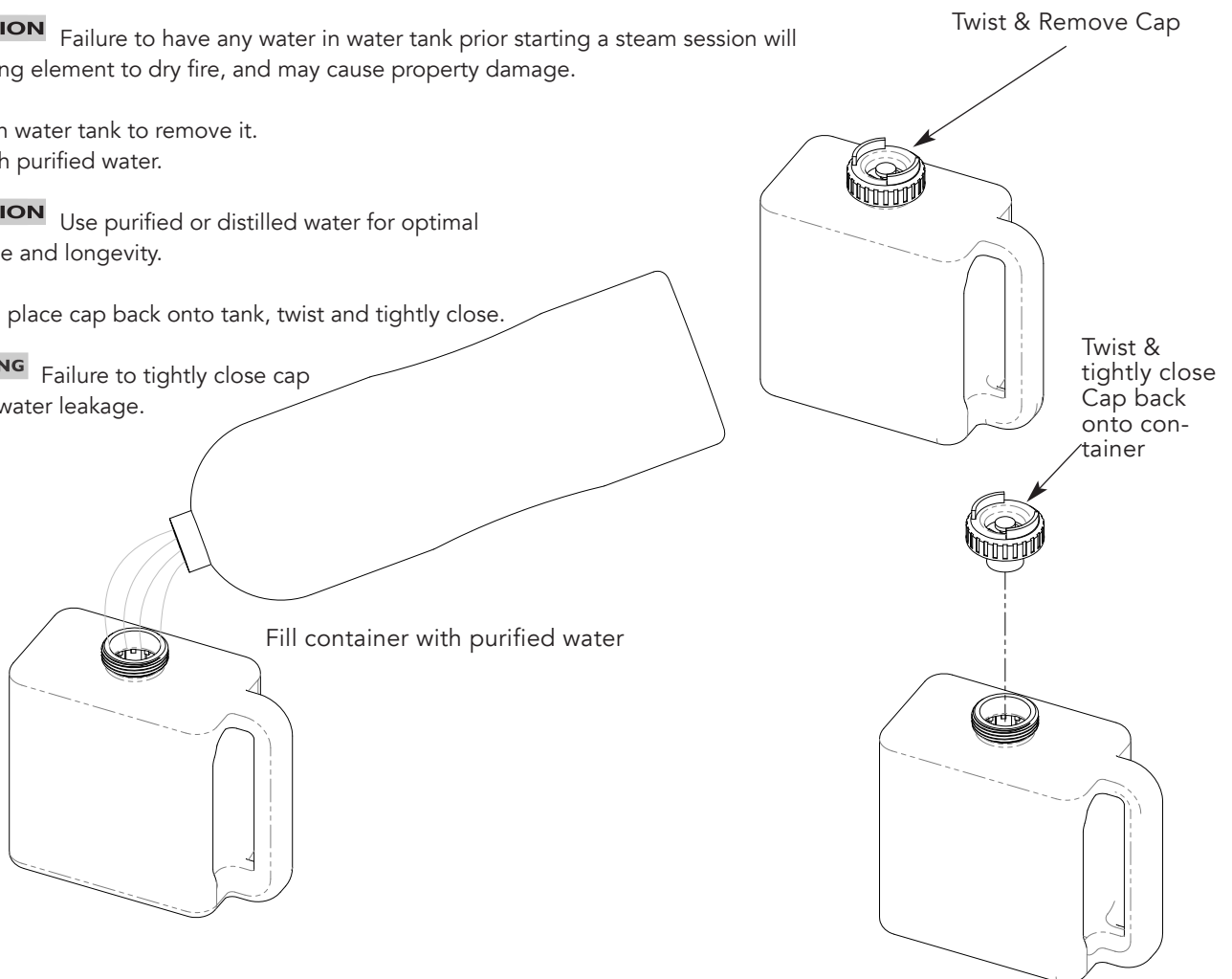
⚠ **CAUTION** Failure to have any water in water tank prior starting a steam session will cause heating element to dry fire, and may cause property damage.

Twist cap on water tank to remove it.
Fill tank with purified water.

⚠ **CAUTION** Use purified or distilled water for optimal performance and longevity.

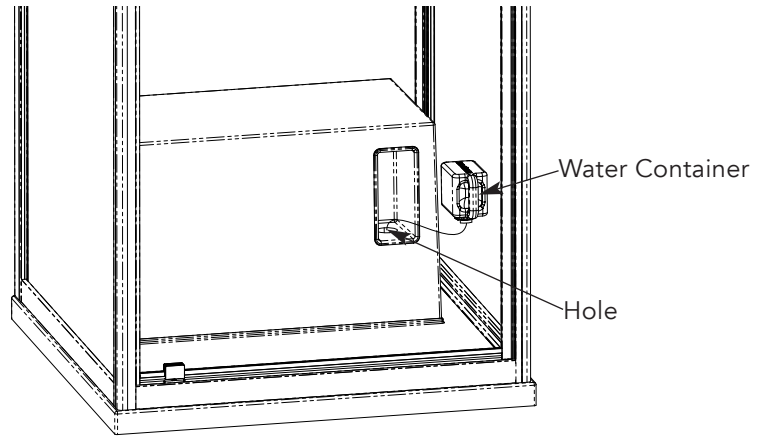
After filling, place cap back onto tank, twist and tightly close.

⚠ **WARNING** Failure to tightly close cap may cause water leakage.



INSTALL WATER CONTAINER

Slide Water Container to cavity in seat, align the Cap on Water Container with hole.

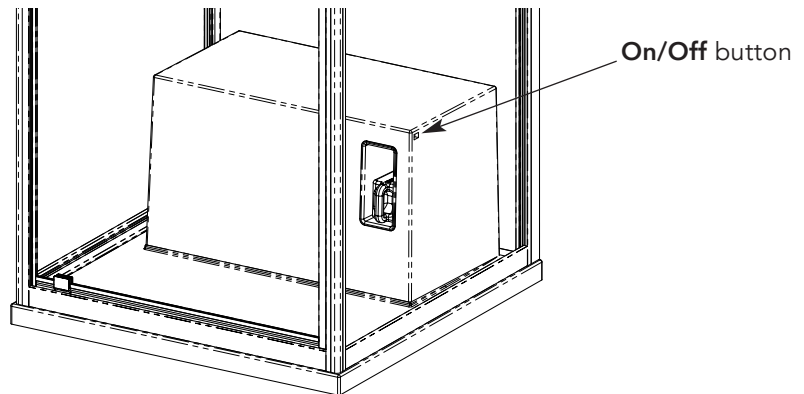


TURNING GENERATOR ON or OFF

SteamPod is equipped with an On/Off button that illuminates when pressed On and does not illuminate when pressed Off.

Press button once to turn generator on, steam normally appears after several minutes.

Generator will turn off after 20 minutes.



CAUTION Turn generator Off when not used. Failure to turn generator off will cause heating element to dry fire and may cause property damage.

SPONGE

SteamPod is equipped with a mildew and bacteria resistant sponge that soaks up all the moisture in SteamPod enclosure.

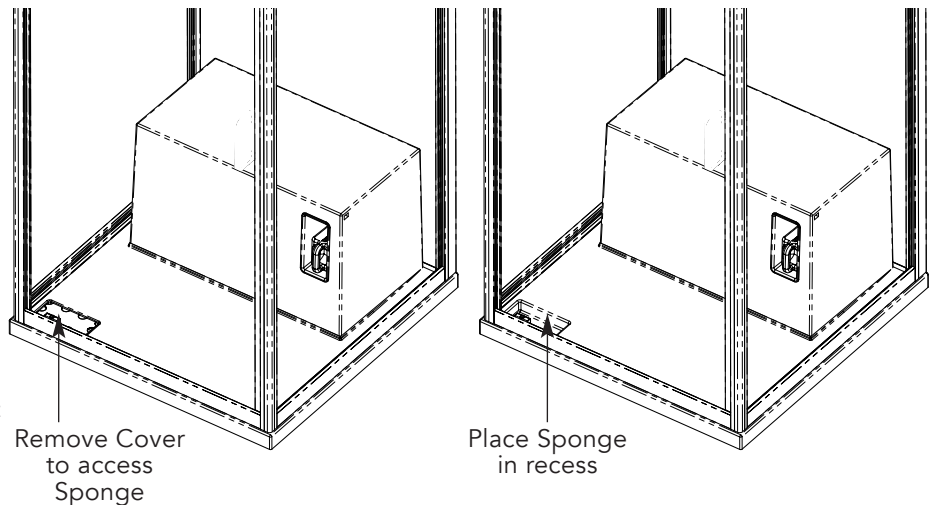
It hardens when dry.

To remove Sponge, remove cover to access it.

Rinse Sponge with water and mild soap regularly to remove debris.

To remove large amount of water, press the top surface of sponge then release to allow it to soak up excess

CAUTION Failure to place sponge in recess may cause excess water in enclosure which may cause personal injuries.



SAFETY BRACKET

SteamPod is supplied with 4 safety brackets and screws to securely attach SteamPod to the floor.

Locate each safety bracket to its desired placement.

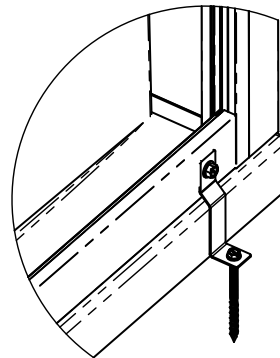
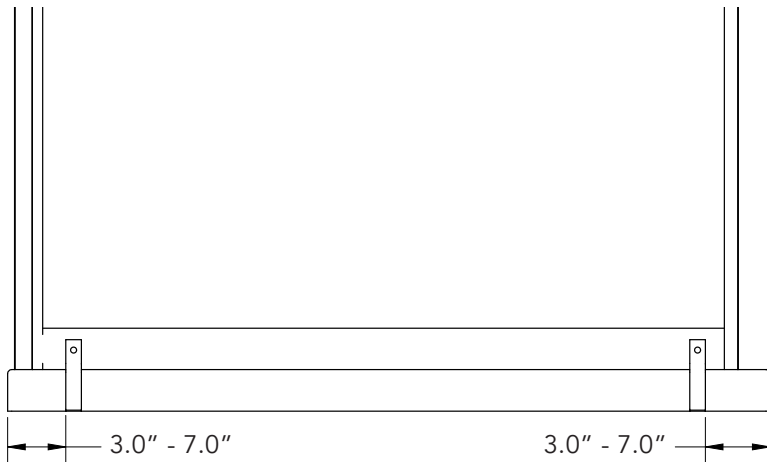
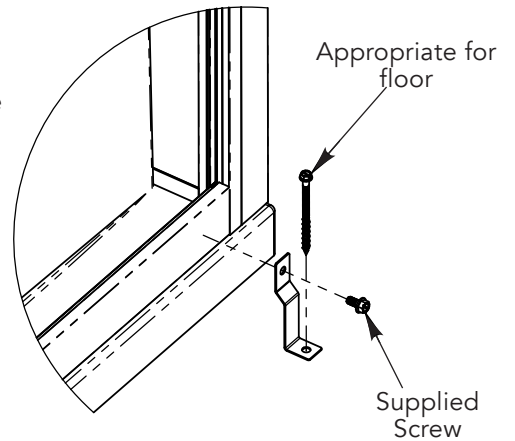
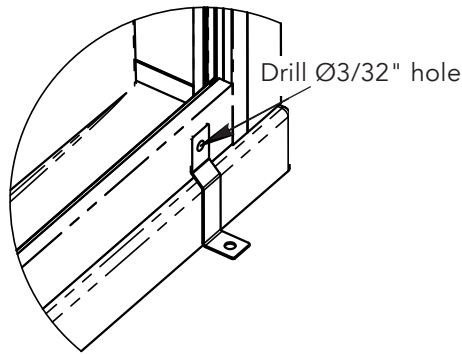
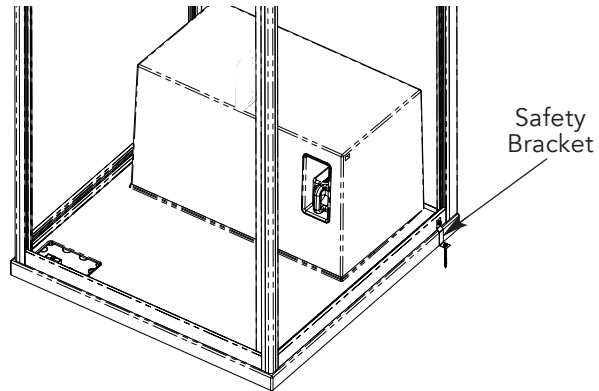
Prepare hole on the floor for the appropriate hardware, using hole on safety bracket as a guide. Ensure hardware is appropriate for the floor material.

CAUTION Failure to use the appropriate hardware for the floor may cause property damage.

Attach safety brackets to floor with appropriate hardware.

Drill a $\text{Ø}3/32$ " hole on alum extrusion, using hole on top of safety bracket as a guide.

Secure safety brackets to alum extrusion with supplied screws.



Care Tips for Enclosure, Steamhead & Water Tank

1. Use only mild soap and water on a soft cloth to clean the Enclosure, Steamhead and Water Tank.
2. Do not use abrasive cleansers
3. If any components are damaged, call the manufacturer technical service for replacement parts.

Warranty

To register your SteamPod unit online and to review the Limited Lifetime Warranty please go to the manufacturer website.

mr.steam[®]

Feel Good Inc.[®]

www.mrsteam.com

Products, information and specifications are subject to change without notice.

Please call Sales & Support at 1.800.76.STEAM (East Coast) or 1.800.72.STEAM (West Coast) for more information.

mr.steam[®] hello@mrsteam.com | www.mrsteam.com

43-20 34th Street, Long Island City, NY 11101 1 800 76 STEAM | 9410 S. La Cienega Blvd. Inglewood CA 90301 1 800 72 STEAM

2025 © MrSteam and des., A Lifetime of Pleasure, AirTempo, AromaFlo, AudioWizard, AutoFlush, AutoSteam, Butler Package, ChromaSteam, Clean Steam...Every Time, Club Therapy, CT Day Spa, Digital 1, Express Steam, Feel Good Inc., From Bathroom to Spa, HomeWizard, iButler, iGenie, iSpa Package, iSteam, iTempo, iTempo/Plus, TempoTouch, TempoFlex, Linear Steamhead, Making Wellness a Way of Life, Music Therapy, My Steam, SmartSizing, Spa Package, Steam Genie, Steam on Demand, Steam in a Box, Steam@Home, SteamStart, SteamTherapy, Tala, Tala Bath & Body, Tempo, The Intelligent Steam Bath, Valet Package, and Virtual Spa System are registered trademarks of MR.STEAM.