

## Installation Manual

For Tutorials and Troubleshooting visit [www.thermasol.com/solutions](http://www.thermasol.com/solutions)

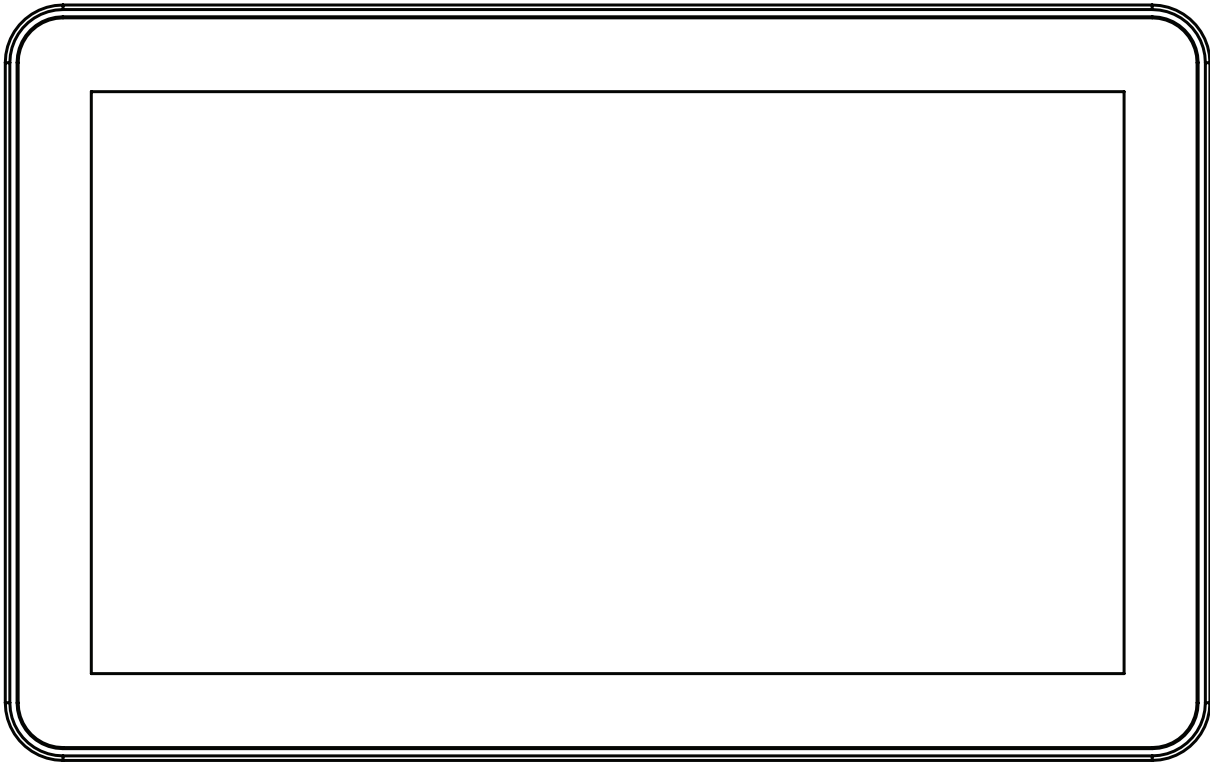
*\*Products available in square styling not shown*

**THERMASOL**<sup>®</sup>

OVER 60 YEARS OF STEAM SHOWER INNOVATION

Wellness Shower ThermaTouch 10 Package

# ThermaTouch Control



## Installation Manual

ThermaTouch V2 Control

For Tutorials and Troubleshooting visit [www.thermasol.com/solutions](http://www.thermasol.com/solutions)

**THERMASOL**<sup>®</sup>

# CUSTOMER WARNINGS

Make sure the walls, ceiling and floor materials are suitable for use with steam. Ensure electrical power is turned off for the duration of the installation.

## PLEASE REVIEW WARNINGS BELOW AND LEAVE THIS MANUAL WITH HOMEOWNER

- Do not use this product unless you have consulted your doctor and received written permission to do so. Use of this product may be hazardous to your health.
- Steam is hot! Do not touch or go near the steam head from the time the unit is “on”, up to one hour from the time the unit is off. Severe burns will occur if you come in contact with the steam head or steam emitting from the steam head.
- Never attempt to fill aroma therapy reservoir on the steam head when unit is in the “on” position. Severe burns will occur.
- Do not use ThermaSol aroma therapy oils or skin care products or any product in conjunction with your ThermaSol unit without consulting with your allergist or doctor before use. These products may be hazardous to your health.
- Your shower may be a slip and fall hazard. Check with your contractor or flooring manufacturer regarding the safe use of your flooring in a steam application. Slipping and falling into the steam head itself or into the stream of steam emitting from the steam head will cause serious burns or physical injury.
- Do not use steam room while under the influence of alcohol or drugs, as this can be hazardous to your health.
- If you are feeling uncomfortable, dizzy, faint, or starting to fall asleep, immediately exit the steam room.
- Do not use steam room if you are under the age of 16 unless supervised by an adult.
- ThermaSol generators are for indoor use only. They should never be located outside the home.
- ThermaSol generators are not to be used for space heating purposes.
- For safety, smooth operation practice, and liability. If you are a plumber/installer, please ensure this owner's manual & warranty information is in the owner's possession with specific delegation for the purpose of completely familiarizing any users with this or any ThermaSol product.
- Failure to follow installation instructions specifically will cause the warranty to be void.

All products must be installed in accordance with installation instructions provided. Failure to do so may invalidate warranty at manufacturer's discretion.

## TECHNICAL AND WARRANTY SUPPORT

For better technical assistance and before contacting Technical Support, please have your model number and serial number ready. For technical and warranty support only, contact (800) 776-0711

©2024 ThermaSol

# 1 Important Information Before You Install

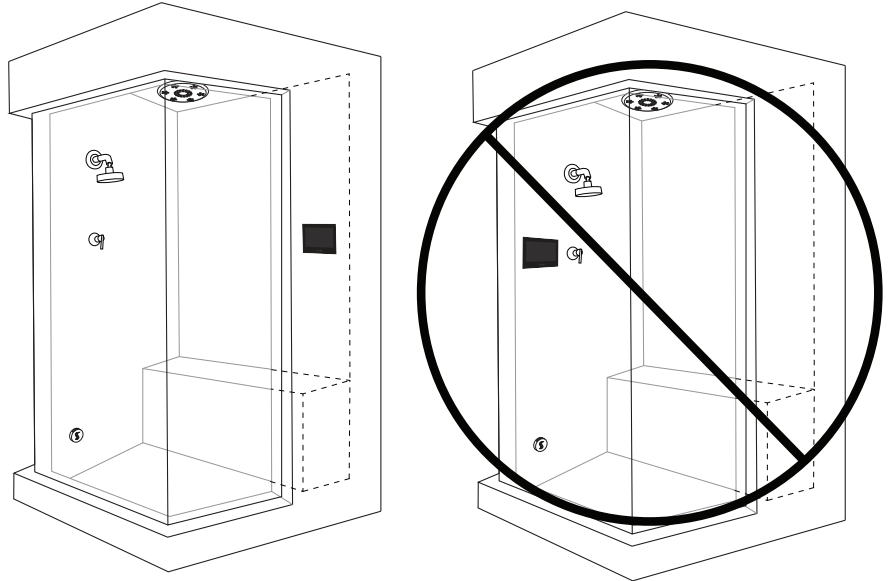
The ThermaTouch Control must be installed inside the shower. The ThermaTouch control will only function on the current TFX and PRO Series generators.

Ensure there is a 3.5-inch clearance on all sides of the mud ring to prevent any interference with fixtures or wall corners during the mounting of the control.

The control should be installed 60" from the floor of the shower and away from the steamhead.

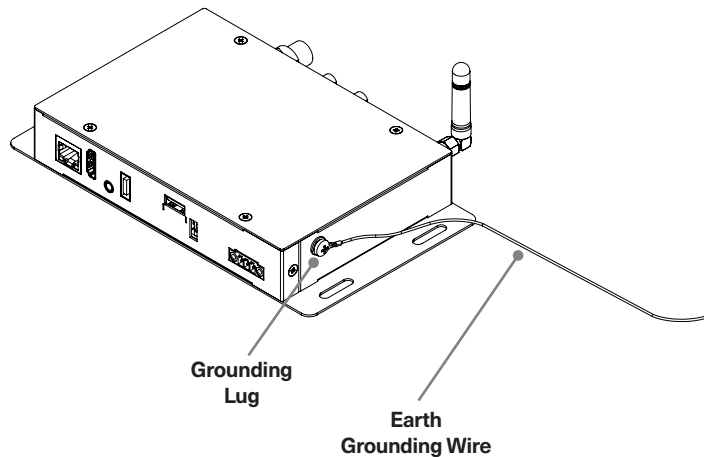
The steamhead should be installed 24" from the floor and 6" from any wall. Locate as far as possible from the bathing seating area or location of the users and not below any fixtures.

**IMPORTANT:** When locating and installing the ThermaTouch, it is required to not place the control under any water-outlets, shower heads or in the direct path of flowing water. SEE DIAGRAM FOR LOCATION EXAMPLE.



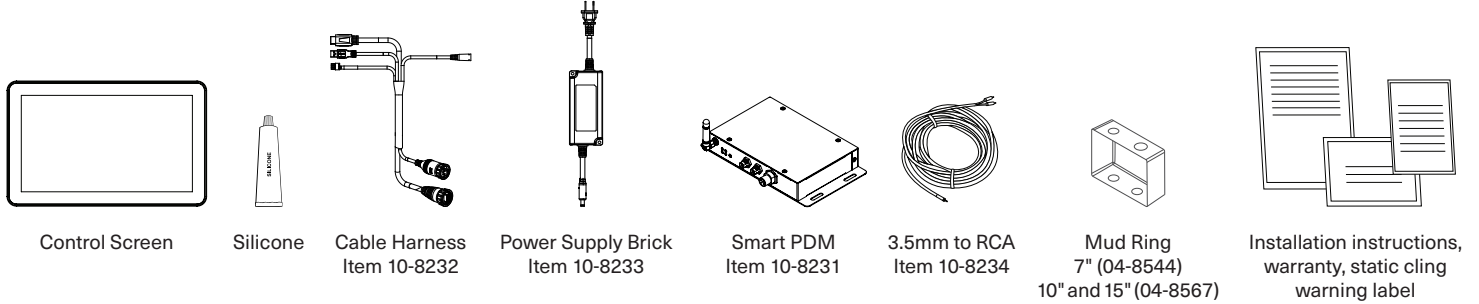
Your Smart PDM comes with a preinstalled grounding lug. Prior to installation of your ThermaTouch and Smart PDM, locate the closest earth ground (electrical outlet, copper water pipe) and attach a grounding wire as shown. Grounding wire not included.

If you have any questions about this process, please contact us at [support@thermasol.com](mailto:support@thermasol.com) or by phone at (800) 776-0711.



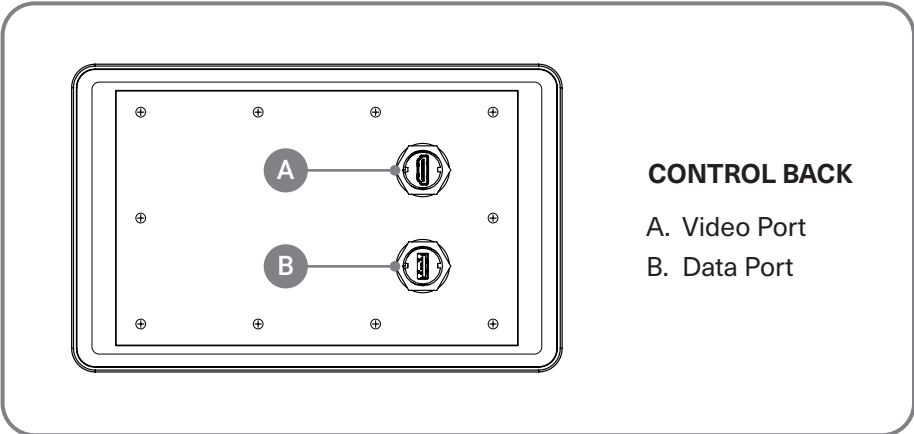
## 2 Tools and Materials

### PARTS ENCLOSED

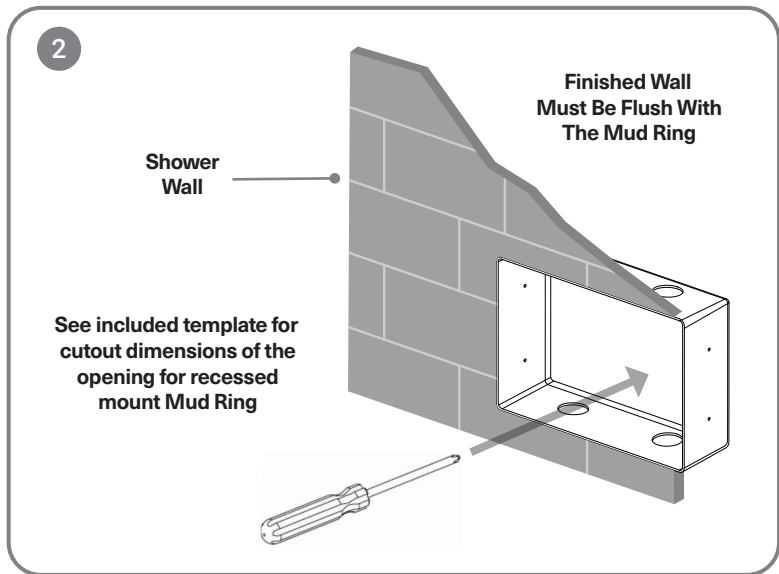
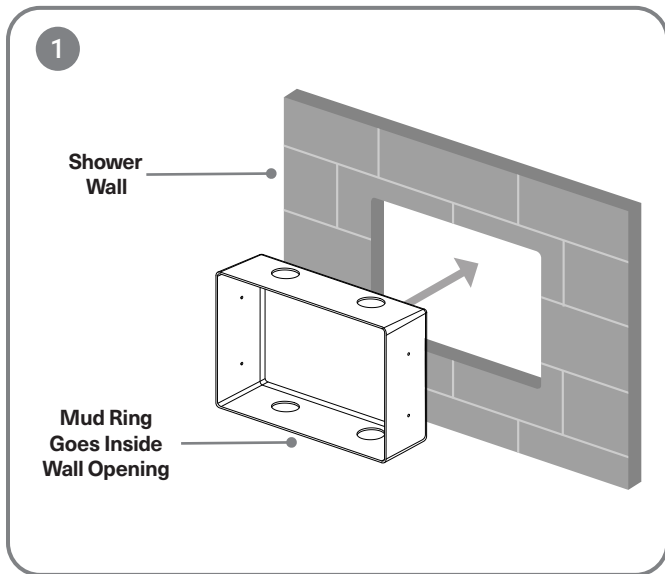


### ADDITIONAL MATERIALS NEEDED

- Ethernet Cable with RJ-45 Connector (not supplied)
- Other materials as required



## 3 Mud Ring Application



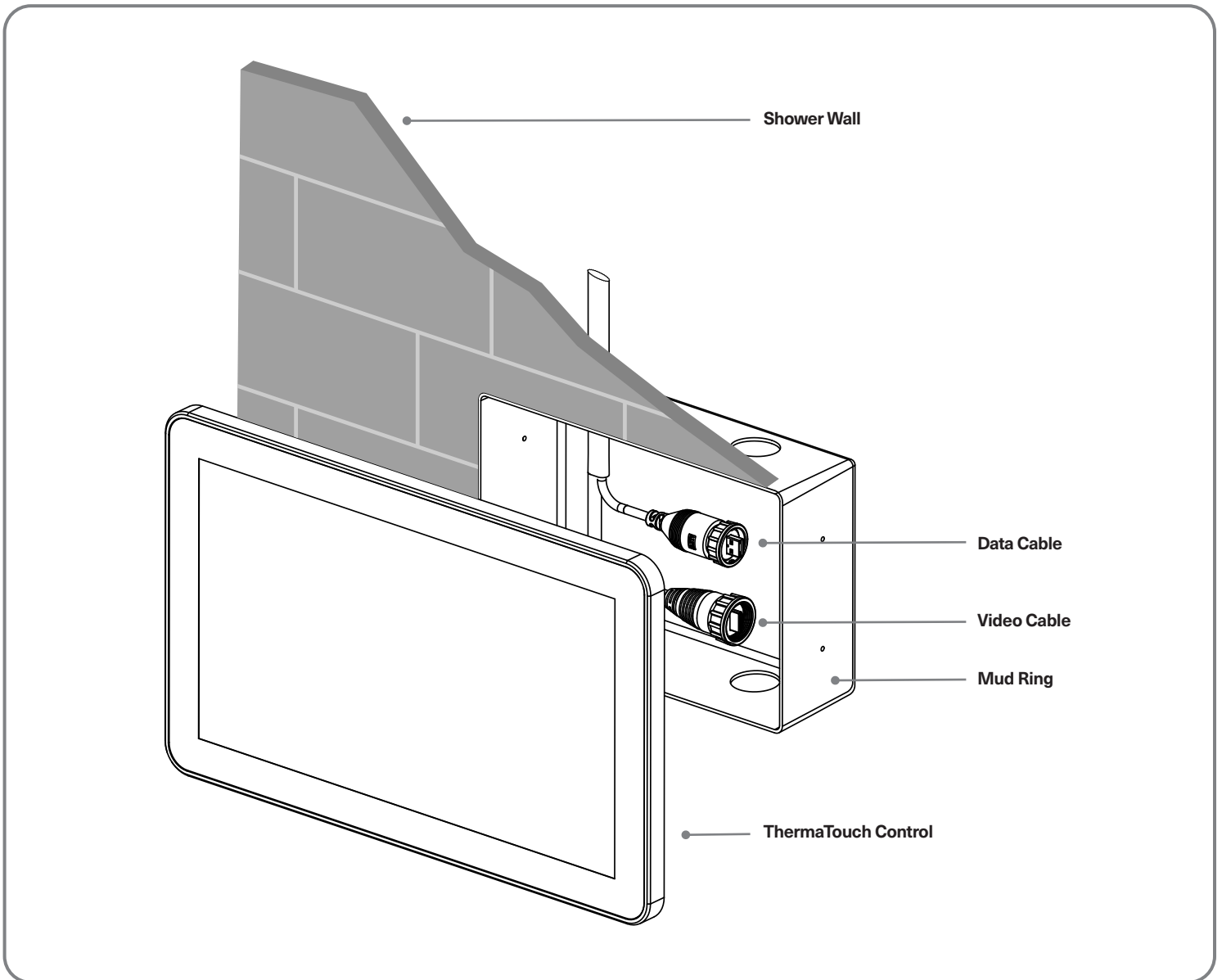
Read warnings on page 2. For illustrative purposes only. Consult with qualified professional for steam room construction details.

# 4 Control Installation and Data Cable Connection

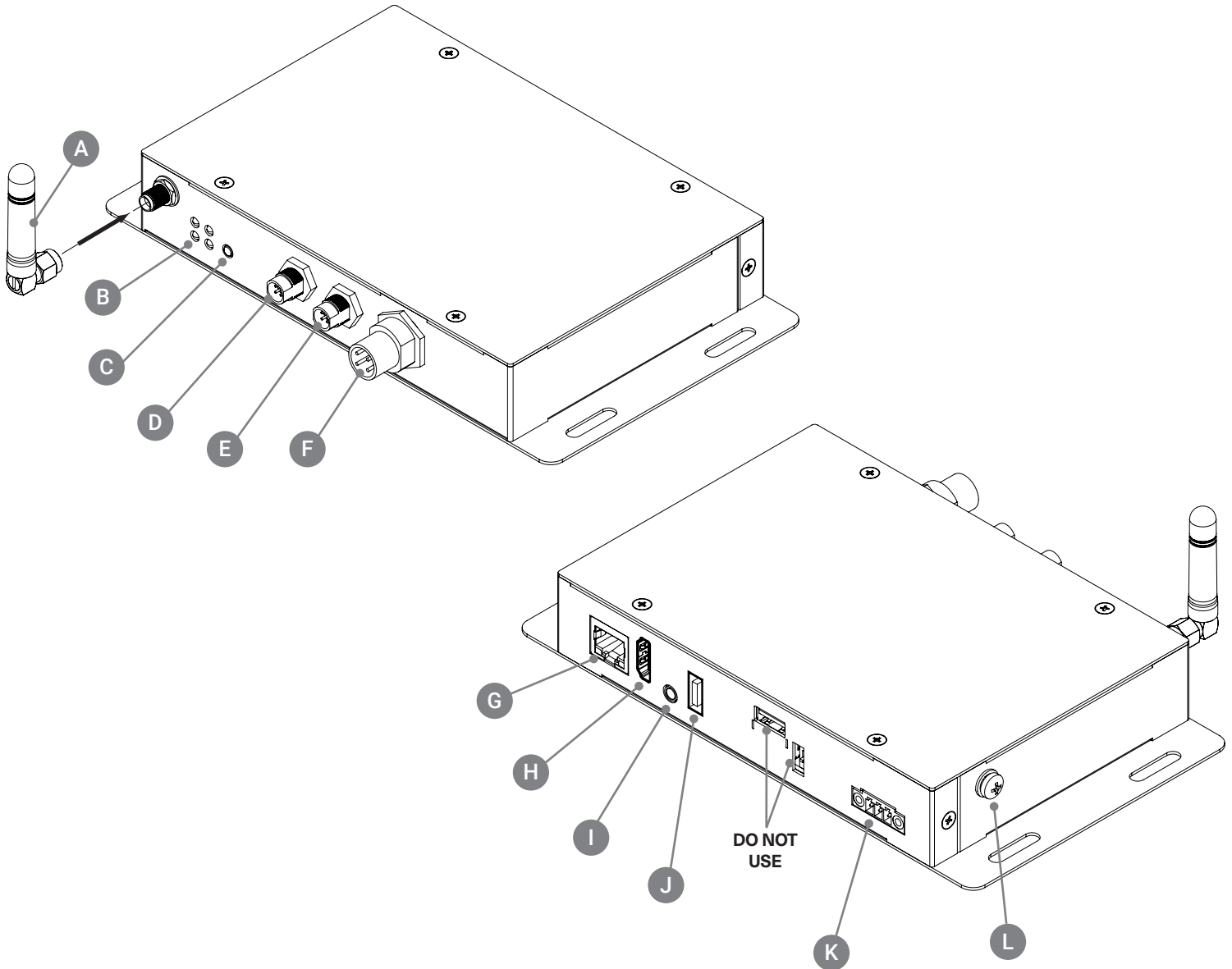
Route the cable harness through the finished wall to the back side of the control. (The other end of the cable runs to the Smart PDM location.)

Run the cable harness through the mud ring as shown in the diagram and connect the water resistant data and video to the leads coming out of the control screen.

NOTE: Avoid tight bends. DO NOT pinch, nail, staple, wedge or bind the cable harness.



# 4 Control Installation and Data Cable Connection



**SMART PDM**

- |                   |                             |                                   |
|-------------------|-----------------------------|-----------------------------------|
| A. WiFi Antenna   | E. M8 Connector 2           | I. 3.5mm Audio Port               |
| B. Status LEDs    | F. M12 Showerhead Connector | J. Data Port (Cable Harness ONLY) |
| C. Reset Button   | G. Ethernet Port            | K. Cable Harness Power Connection |
| D. M8 Connector 1 | H. Video Port               | L. Grounding Lug                  |

Read warnings on page 2. For illustrative purposes only. Consult with qualified professional for steam room construction details.

# 4 Control Installation and Data Cable Connection

Connect the data, video and ethernet cables from the provided cable harness to Smart Power Distribution Module (Smart PDM).

The other end of the cable runs to the back of the control in the shower location.

**WARNING:** The data line is NOT a standard USB cable. It carries 24V power and the use of standard cables can result in damage to the unit. USE ONLY Thermasol Cable Harness (P/N 10-8232) to connect the PDM and display.

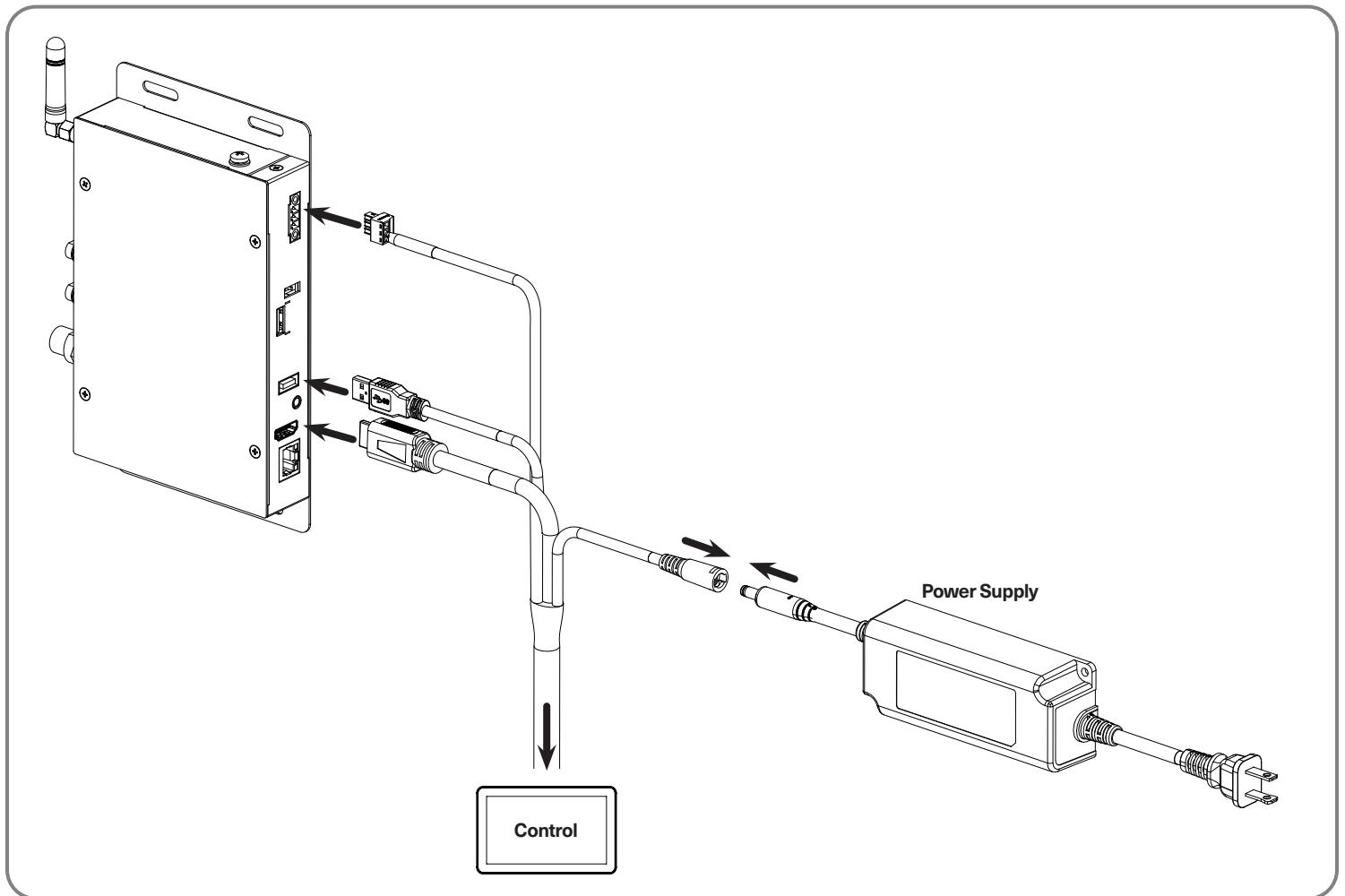
DO NOT pinch, nail, staple, wedge, or bind the cable harness.

DO NOT attempt to shorten the cable harness.

DO NOT wrap the cable harness around steam line or route it in a manner so that the hot steam line could melt the cable.

Any damage to the cable harness will result in the control not working properly.

Carefully connect the cable harness to the Smart PDM and control BEFORE turning power on to the generator or Smart PDM.





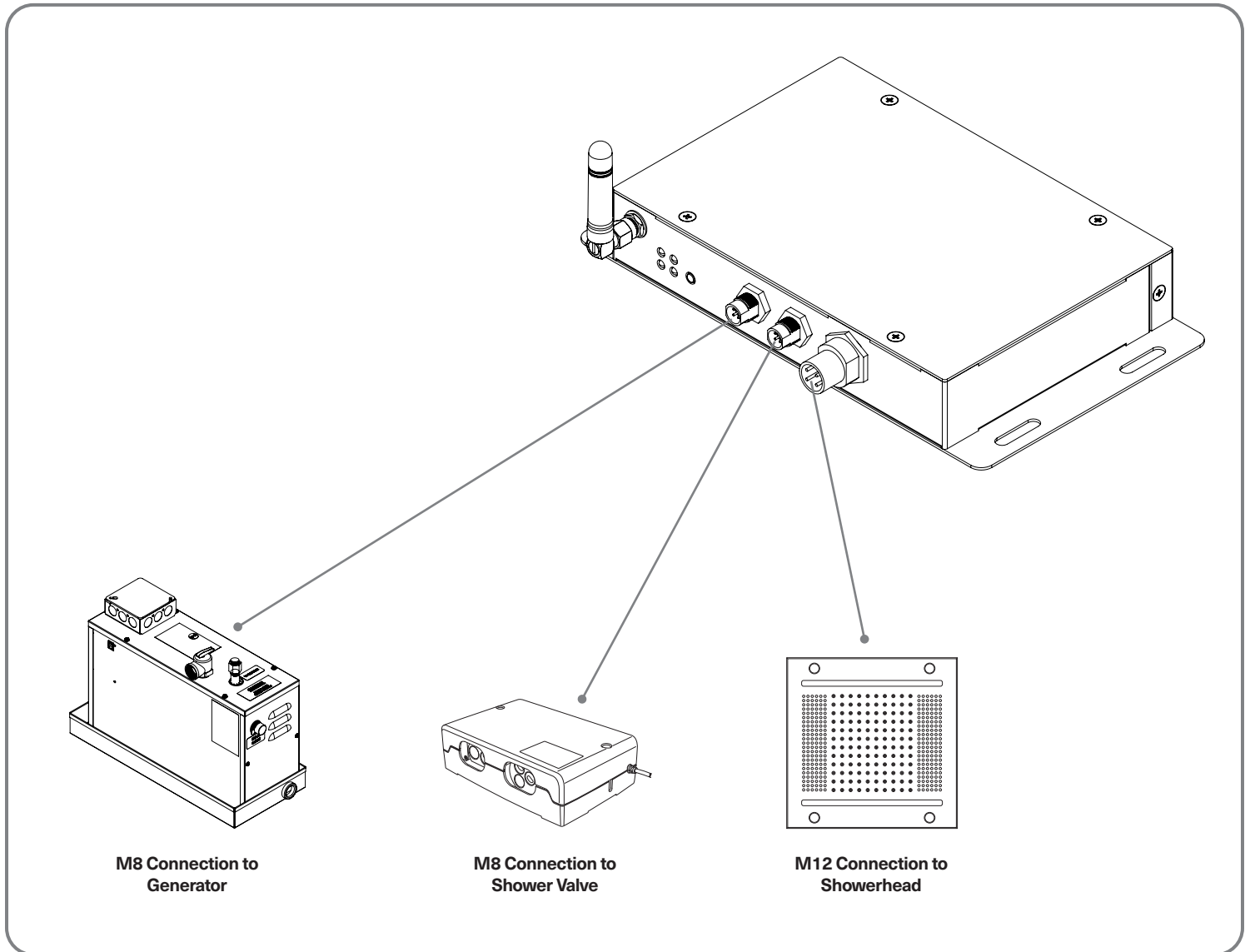
# 5 Connecting Smart PDM to Generator and Accessories

All external devices are connected to the ThermaTouch control via the Smart PDM. The Smart PDM is equipped with two identical M8 connections and one M12 connection.

To connect the steam generator, utilize one of the M8 ports. The remaining M8 port is available for linking additional ThermaSol shower accessories, such as a Digital Shower Valve. The M12 port is designated for

connecting a powered rainhead, such as ThermaSol's HydroVive or Serenity.

**IMPORTANT:** If neither the HydroVive nor Serenity rainhead option is utilized, amplified speakers are necessary for sound. These can be connected to the Smart PDM via the 3.5mm Audio port on the back of the unit.



## 6 Sealing Control

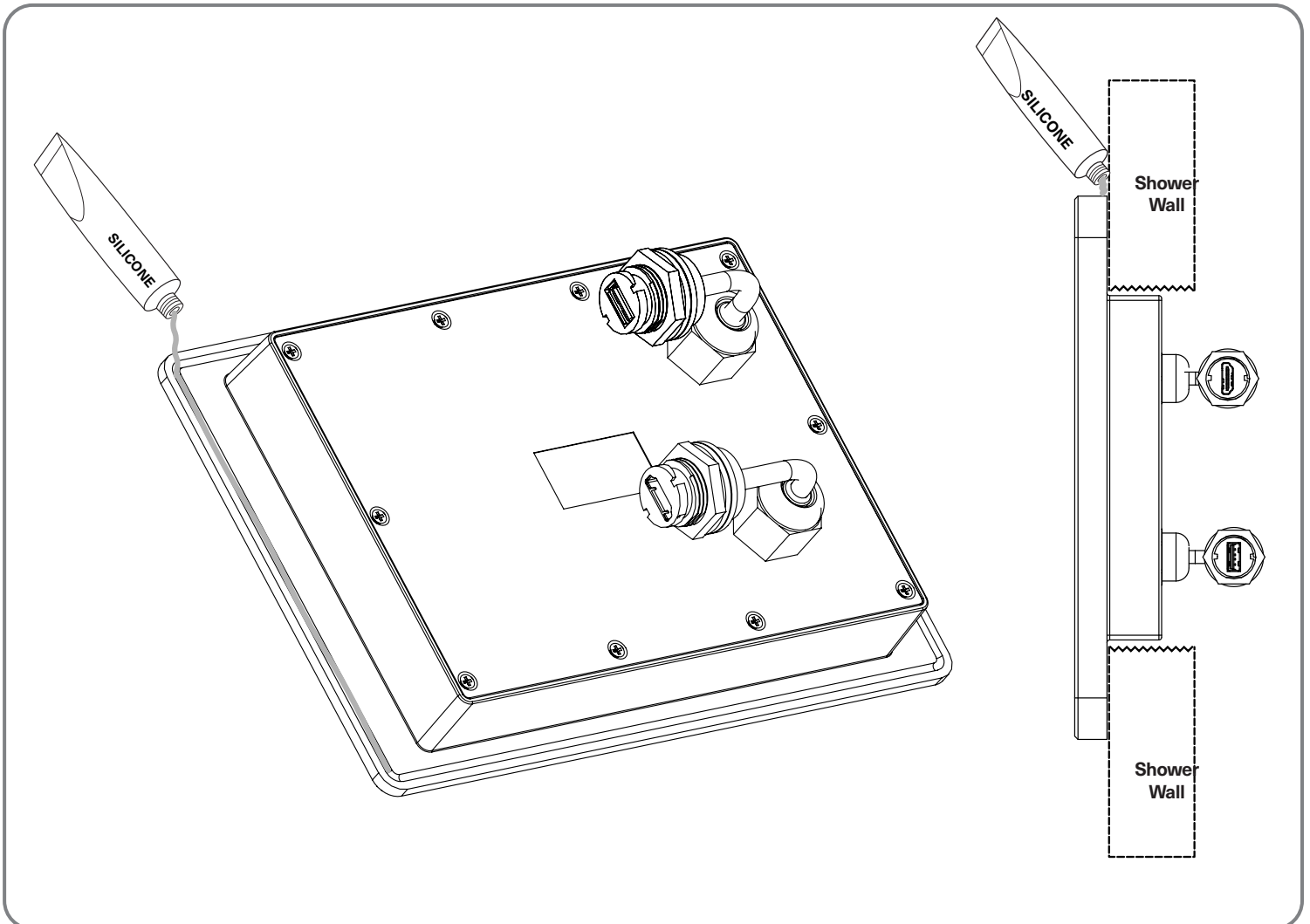
**THESE STEPS MUST BE TAKEN FOR CORRECT INSTALLATION OF THE CONTROL. BEFORE MAKING FINAL CABLE CONNECTIONS TO THE THERMATOUCH CONTROL. TEST THAT ALL CONNECTIONS ARE WORKING BEFORE SEALING THE CONTROL TO THE WALL. ENSURE THE ORIENTATION LABEL ON THE FACE OF THE CONTROL IS POINTING UP.**

(Power on the control and see that it lights up, and is oriented correct).

- A** Following the groove on back of the control, fill with the supplied silicone ensuring there is enough silicone in the groove to seal to the wall material. (Minimum 1/8" out of groove)

Once in place, completely seal the outer edge of the control to the wall so moisture does not collect behind it. wipe away any excess silicone.

Place the control on the wall pressing firmly. You may need to tape the control into place until the silicone dries. Be careful not to harm the wall or control with the tape. Let dry for 24 hours before using steam bath.



Read warnings on page 2. For illustrative purposes only. Consult with qualified professional for steam room construction details.

# 7 Steam Line and Steamhead

Now you will need to decide on the steamhead placement in the shower so you can run the steam line from the generator to the steamhead. There are a couple of things you need to know about the placement of the steamhead and steam line itself.

**DO NOT** install any valve in the steam line. Flow of steam must be unobstructed.

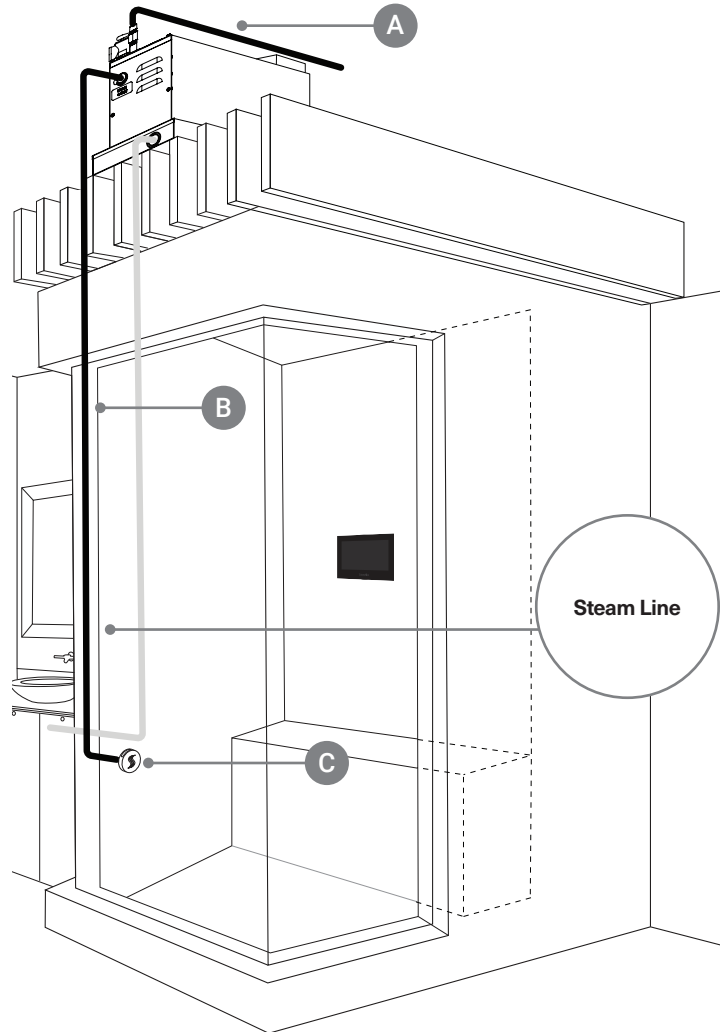
**DO NOT** plumb any traps in the steam line.

- A** The water inlet on the generator requires a 1/2" brass union for easy installation.
- B** Use 1/2" brass pipe or copper tubing from unit to steamhead rough-in fitting as permitted by codes. materials that may be in the water inlet line.
- C** See next page.

**The steam line can run up and then down, once; or horizontal; but never run down and then up. If it does, a steam trap will be produced at the low point blocking the flow of steam.**

Insulate the steam outlet piping if the piping run exceeds 10 feet or is exposed to cold areas. Use steam rated insulation.

Pitch/angle steam lines back towards generator before any up or down turns; pitch/angle towards steam room after any up or down and avoid perfectly level plumbed lines. This prevents condensation from pooling at low points in the steamline.



# 7 Steam Line and Steamhead

**DO NOT** install the steamhead near the seating area or the user.

**C Install the steamhead 24" from the floor or bathtub rim and 6" from any corner.**

Steamhead is to be mounted as far as possible from typical bathing position (seated or standing) and installed as far from the in-shower controller as possible.

For retrofit to existing finish wall:

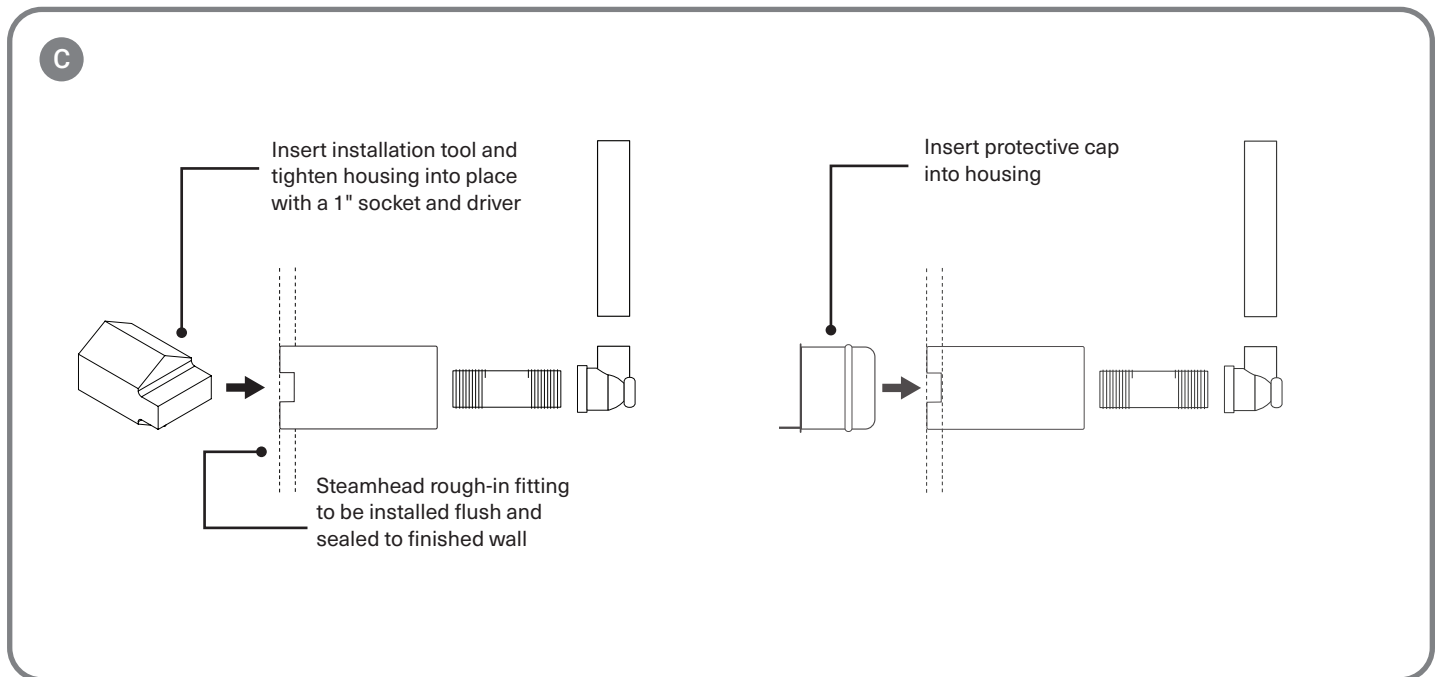
Drill a 1-1/8" diameter hole in the shower wall or wall above bathtub rim for the steam outlet rough-in fitting and install to be flush with the finished wall. this housing must be sealed to the wall to not allow vapor or water behind it. (plumbing must be done from backside of finished space)

For new framing: Mount and install rough-in fitting to be flush with finished wall.

Connect a 1/2" NPT brass pipe or copper tubing to the steam outlet union (not included) on the generator running the pipe to the steam head location in the wall to connect with the steamhead rough-in fitting. It is very important that the pipe is firmly secured to the wall, so that when the steamhead is installed it doesn't push the rough-in fitting back into the wall. Install a 1/2" drop elbow on the end of the 1/2" pipe or tubing for the rough-in fitting.

Use the installation tool to tighten the housing in place with a 1" socket and driver. Then insert the protective cap into the housing.

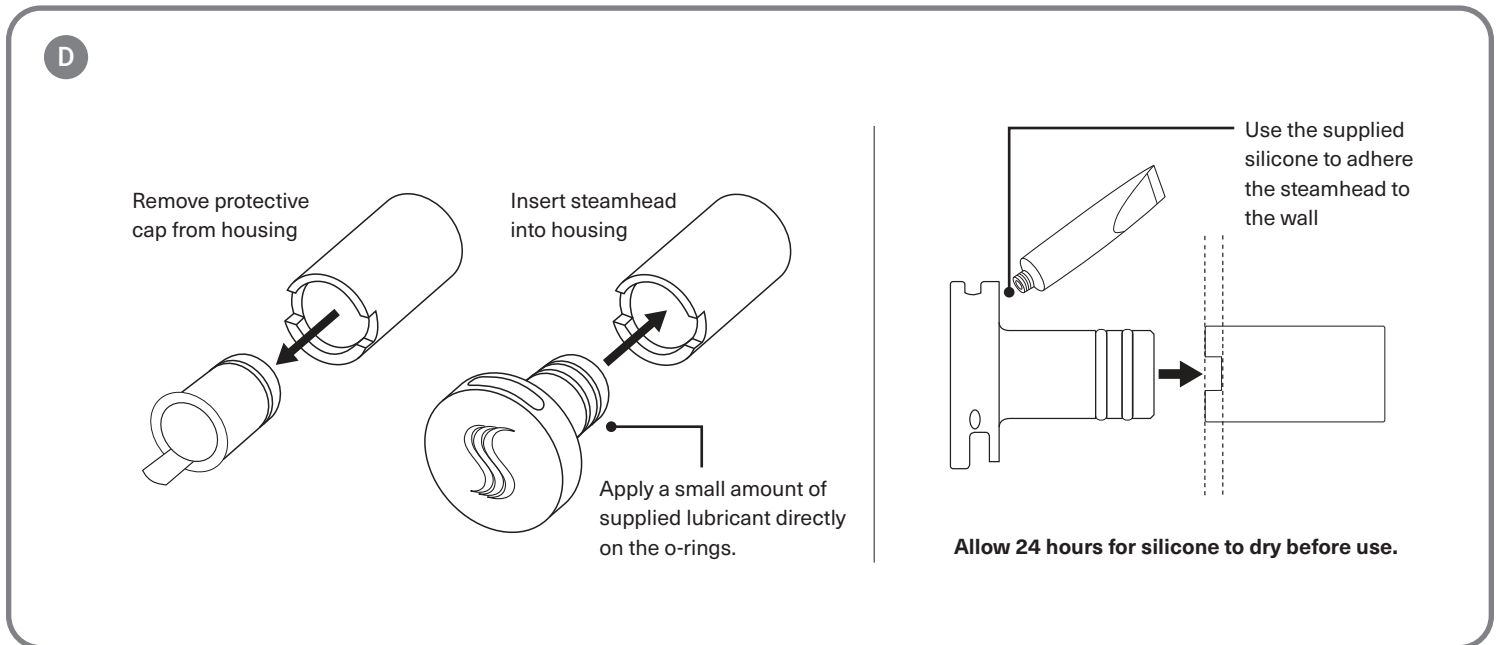
For all the connections, use solder for copper joints and Teflon tape for pipe fittings and do not over tighten fittings. **DO NOT USE PVC CEMENT.**



# 7 Steam Line and Steamhead

**D** Once the shower wall is complete and the housing is sealed to the wall, remove the protective cap and insert the steamhead into housing. Use the supplied silicone to adhere the steamhead to the wall sealing out any water from getting behind the head.

Use supplied o-ring lubricant to assist in steam head installation. A very small amount is all that is needed directly on the o-rings.



# 8 Final Pre-Check Before Operation

Turn ON the water supply to the generator. Check all the connections for leaks.

Plug in generator (unless hardwired model).

Turn ON the power source or breaker.

Verify control panel lights up and test operation. Note: Initial power-on phase takes several minutes for generator to heat up steam.

Please direct the home owner to visit [www.thermasol.com/solution](http://www.thermasol.com/solution) and click on the "I'm the home owner" button to learn about set-up and programming (in order to set up the clock and any other options if applicable).

## 9 Trouble Shooting, Tutorials and Error Codes

Visit [www.thermasol.com/solutions](http://www.thermasol.com/solutions).

Click on Troubleshoot then click on ThermaTouch Control Error Codes.

**NOTES**

---

---

---

---

---

---

---

---

---

---

---

---

---

---

---

---

---

---

---

---

---

---

---

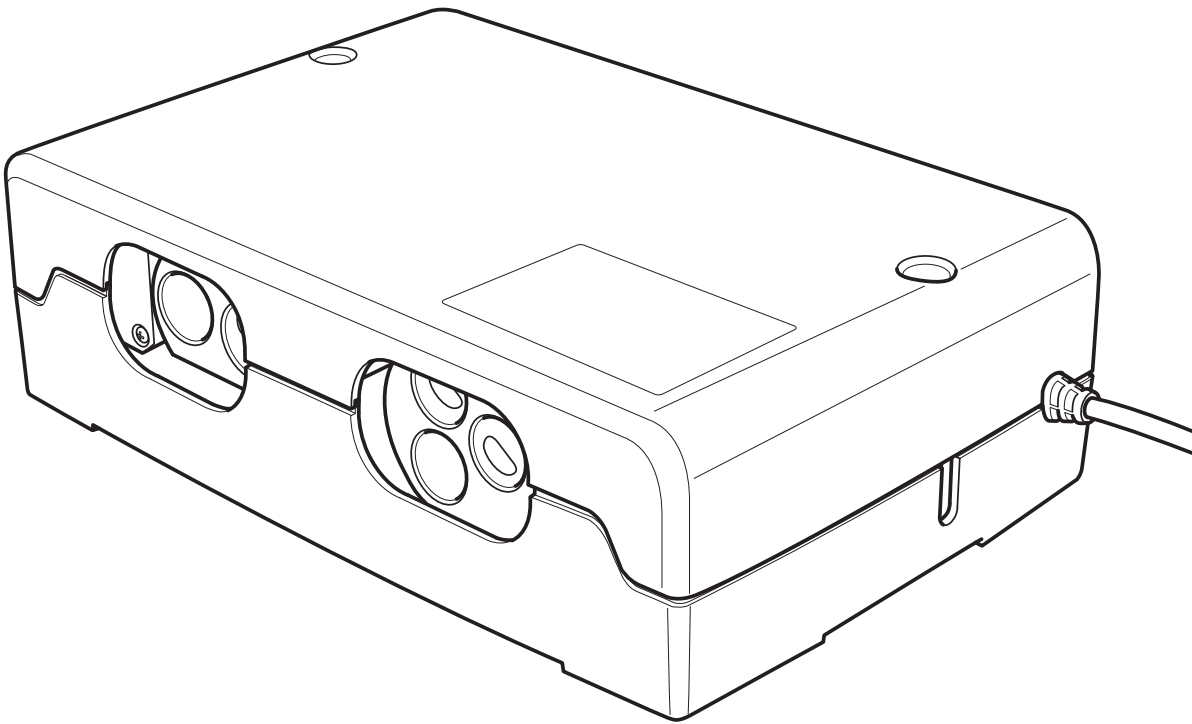
---







# Digital Shower Valve



Installation Manual

TDS-3000

**THERMASOL**<sup>®</sup>

OVER 60 YEARS OF STEAM SHOWER INNOVATION

# 1 Important Information Before You Install

Make sure the walls, ceiling and floor materials are suitable for use with this product. Ensure electrical power is turned off for the duration of the installation.

**IMPORTANT: The Digital Shower Valve must be accessible and should not be sealed in the wall**

**PLEASE REVIEW WARNINGS BELOW AND LEAVE THIS MANUAL WITH HOMEOWNER**

BEFORE USING THE SHOWER, TEST THE WATER TEMPERATURE WITH YOUR HAND BEFORE FULLY ENTERING THE SHOWER.

DO NOT USE THERMASOL AROMATHERAPY OILS OR SKIN CARE PRODUCTS OR ANY PRODUCT ASSOCIATED WITH YOUR THERMASOL PRODUCT WITHOUT CONSULTING WITH YOUR ALLERGIST OR DOCTOR BEFORE USE. THESE PRODUCTS MAY BE HAZARDOUS TO YOUR HEALTH.

DO NOT USE THIS PRODUCT WHILE UNDER THE INFLUENCE OF ALCOHOL OR DRUGS, AS THIS CAN BE HAZARDOUS TO YOUR HEALTH.

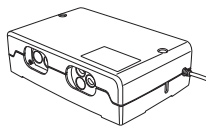
All products must be installed in accordance with installation instructions provided. Failure to do so may invalidate warranty at manufacturer's discretion.

©2018 ThermaSol.

---

# 2 Tools and Materials

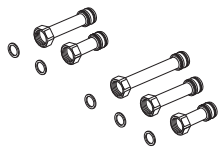
**Parts enclosed with the Digital Shower:**



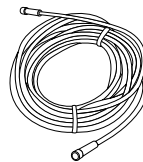
Digital Shower  
10.9" x 6.93" x 2.95"



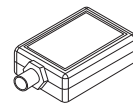
Set of screws,  
2 x 5 x 50 mm



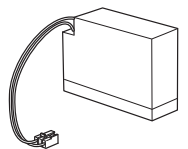
Set of connection nipples  
All connections are 1/2" NPT



50-foot CAN-bus cable



Digital Interface

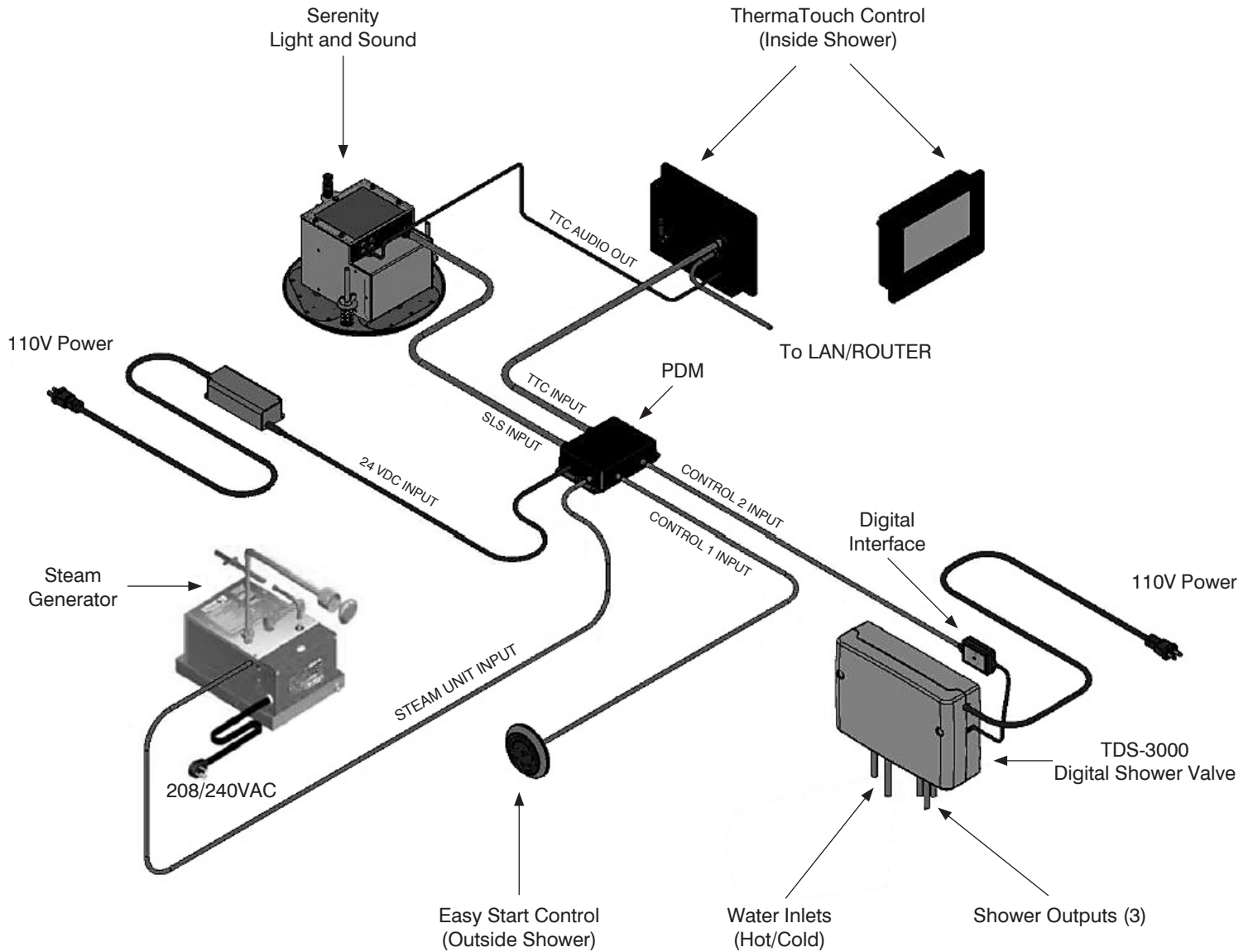


Back up battery

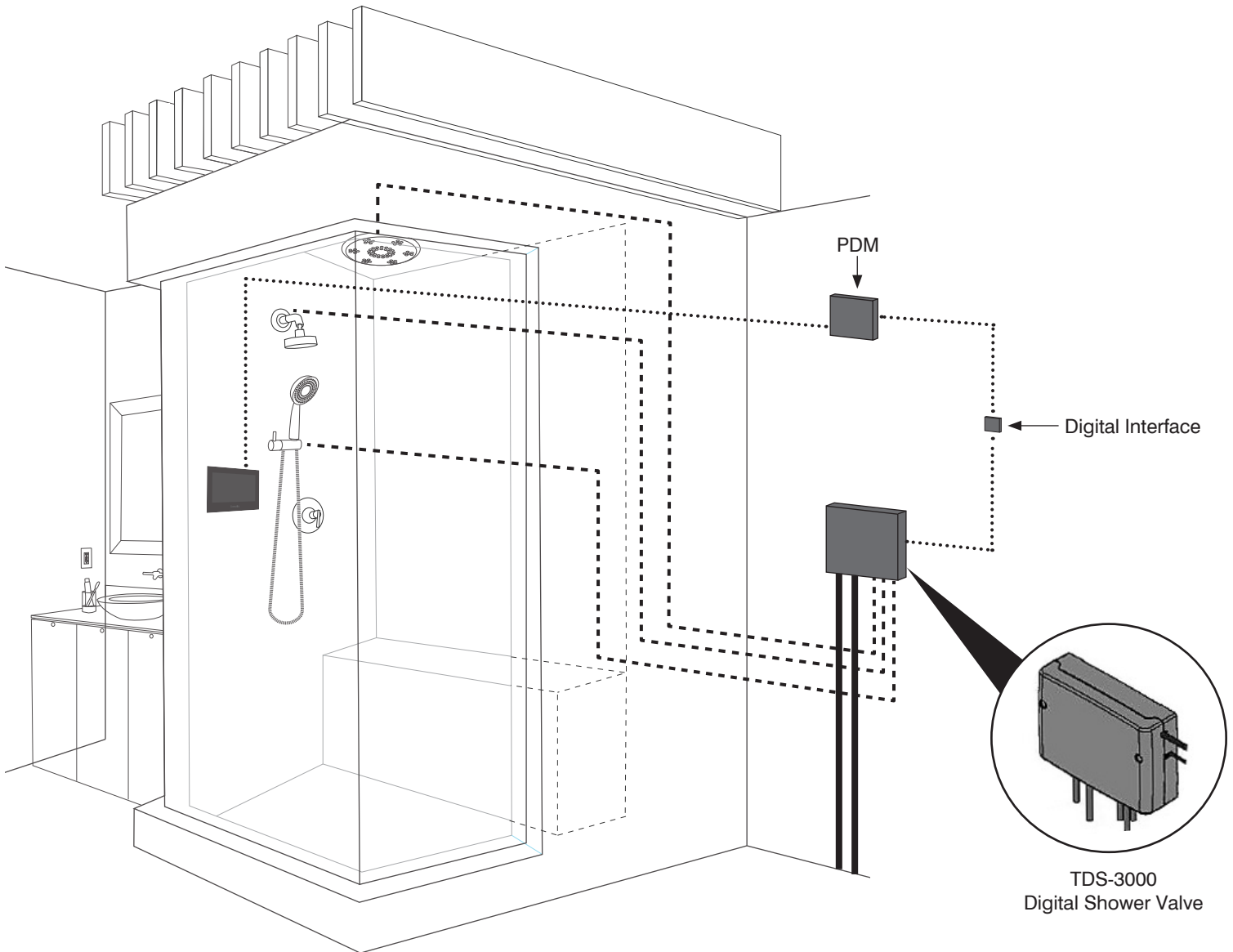
**Tools needed:**

- o Pencil
- o Drill bit 8 mm
- o Phillips head screwdriver
- o Adjustable wrench
- o Drill
- o Level

# 3 Typical System Layout

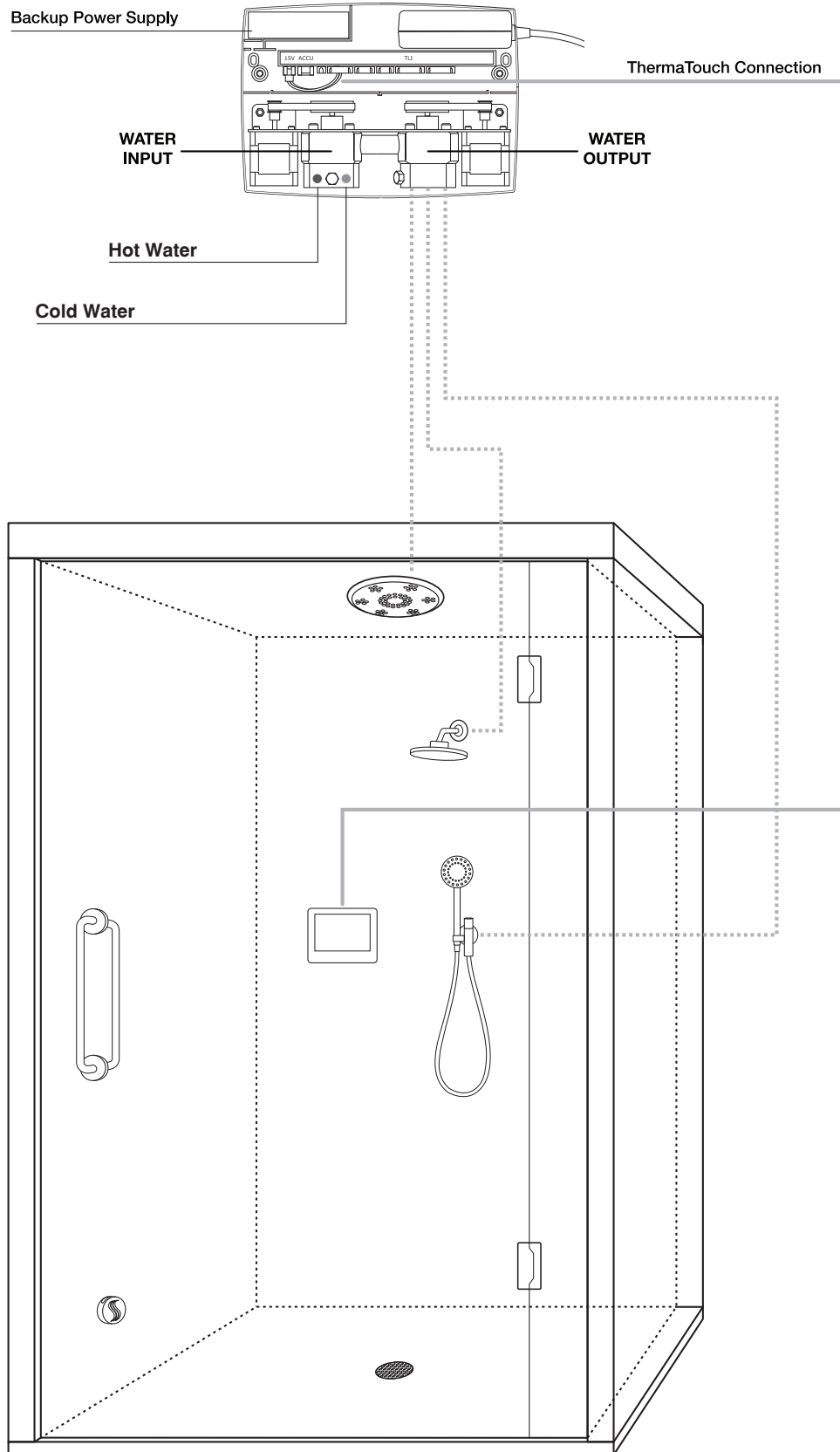


# 4 Scope of Application

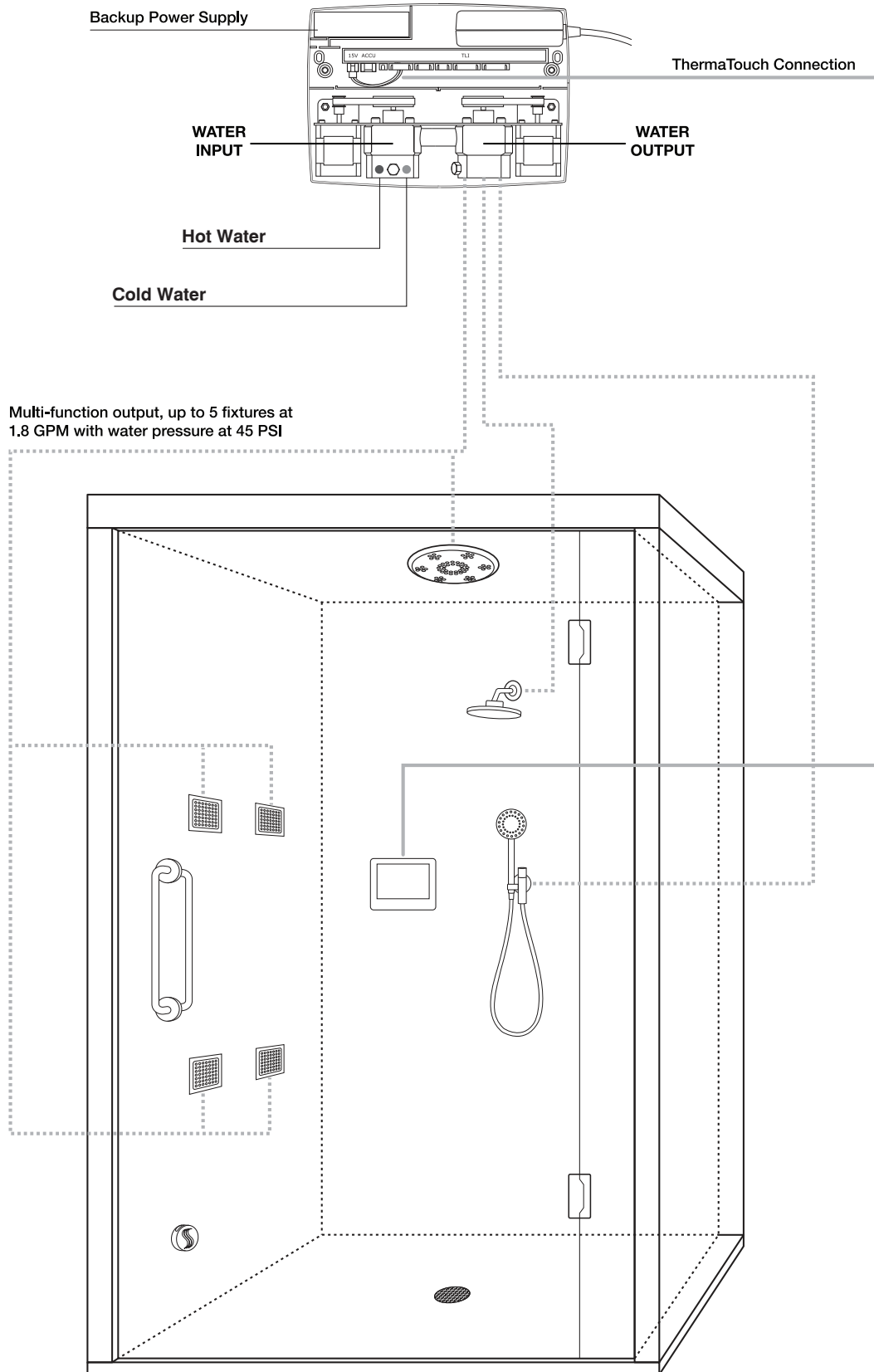


**IMPORTANT:** The Digital Shower Valve must be accessible and should not be sealed in the wall

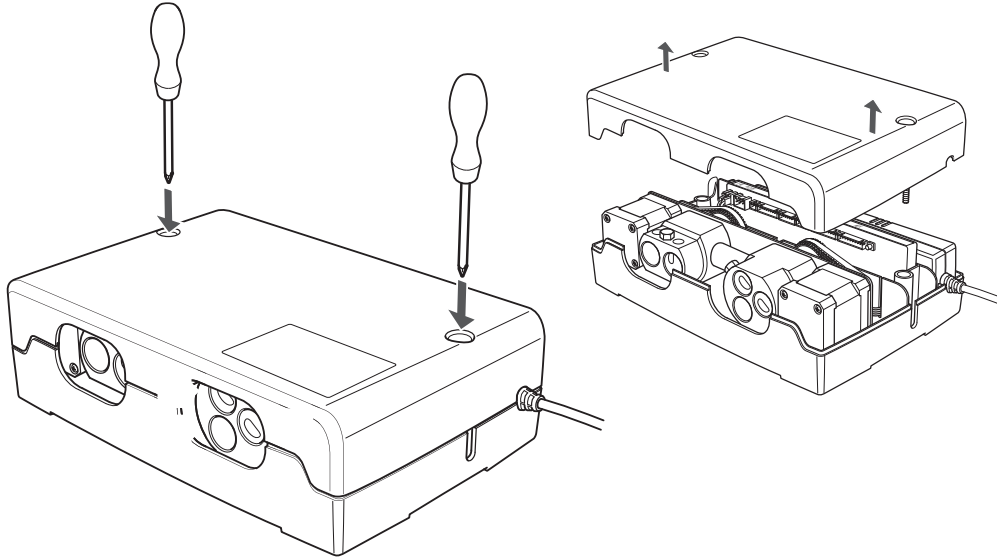
**DIGITAL SHOWER VALVE**  
Multiple components from one port location



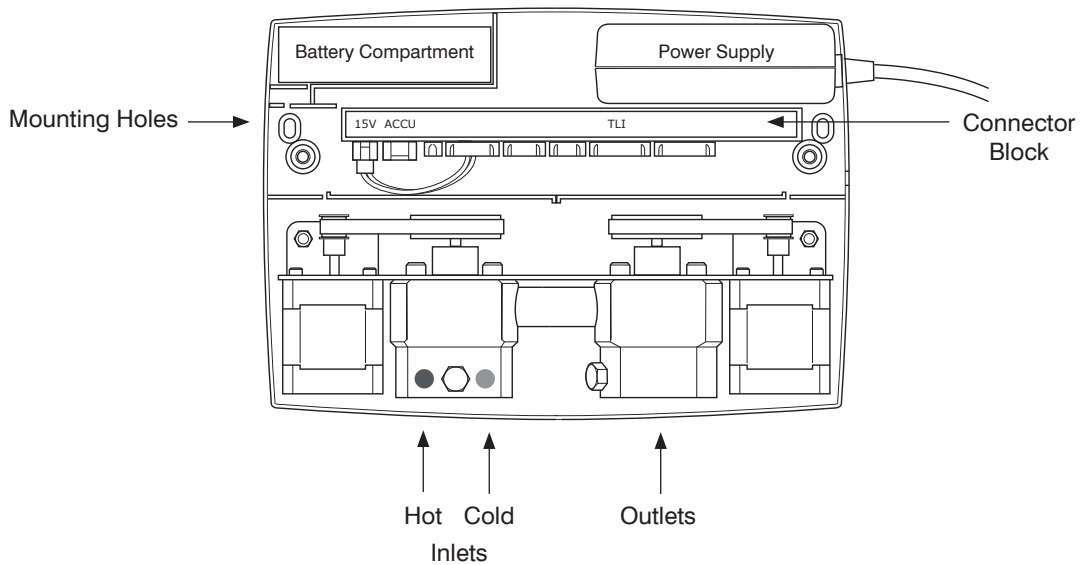
**DIGITAL SHOWER VALVE**  
Multiple components from one port location



# 5 Remove Cover



# 6 Inside Valve System Controller

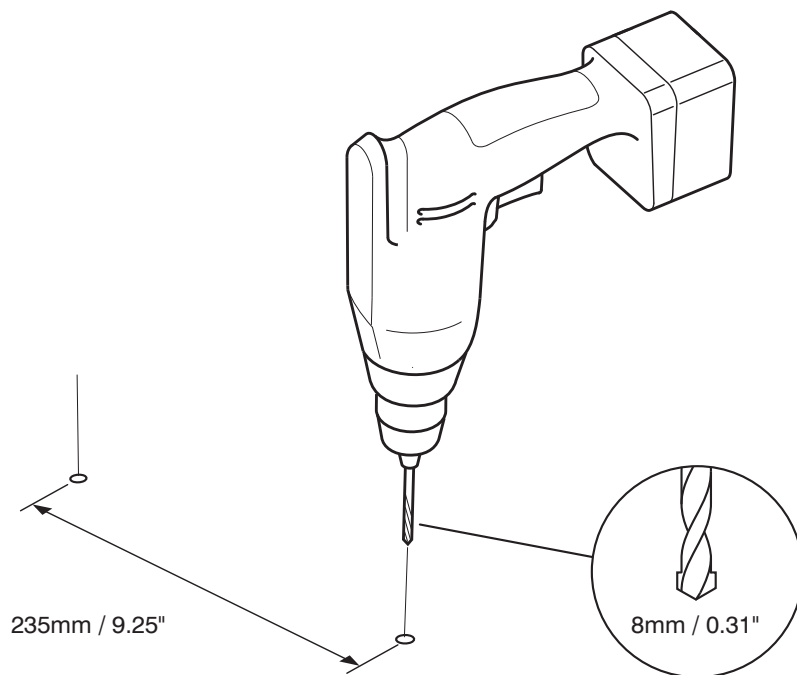
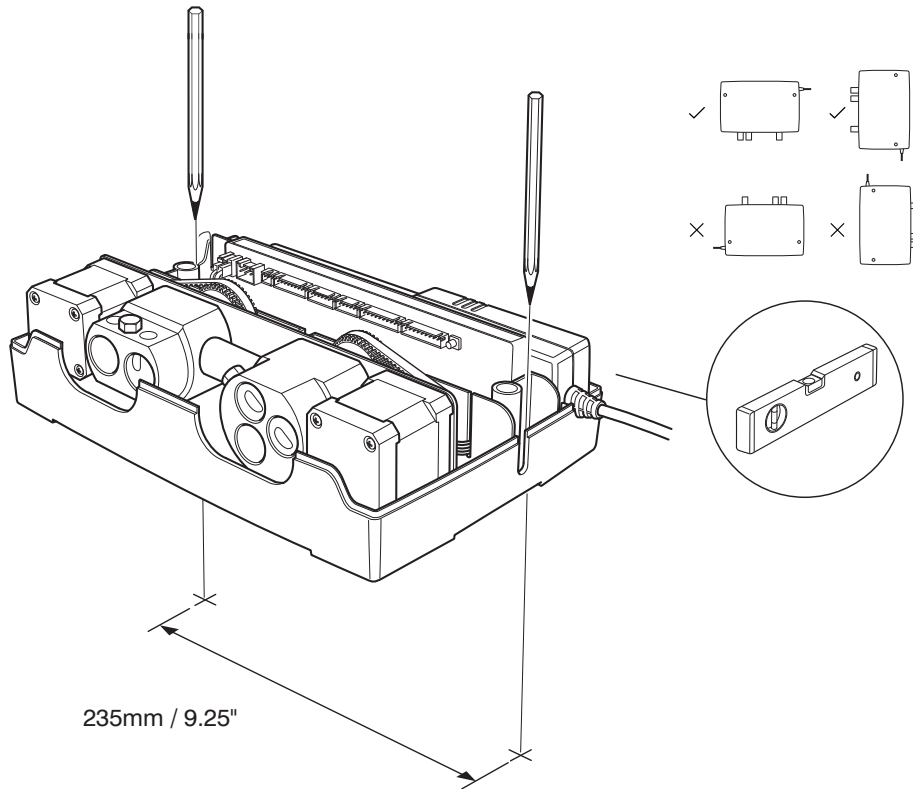




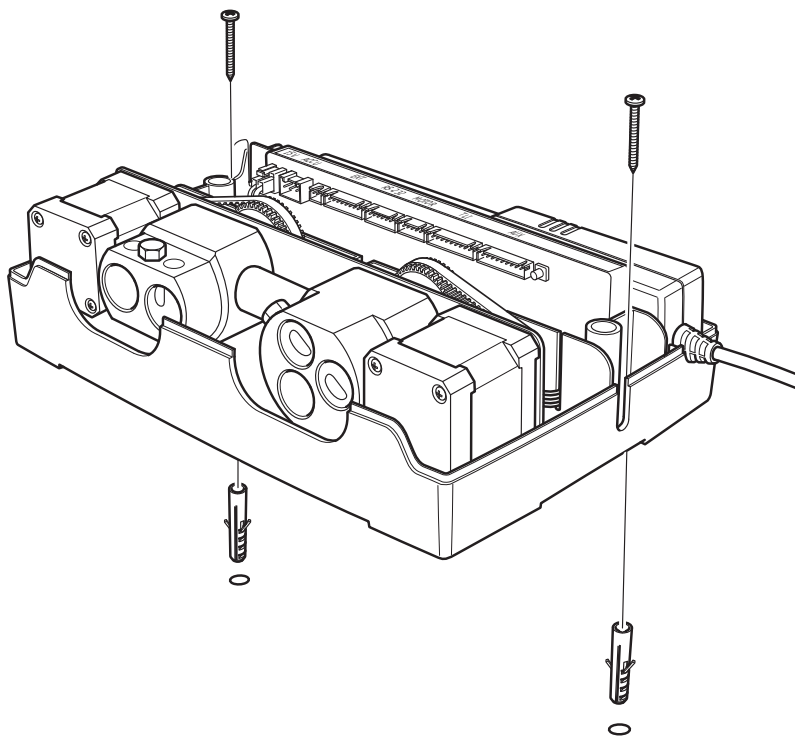
# 7 Mark and Drill Holes



**IMPORTANT:** The Digital Shower Valve must be installed within 50' of the PDM module.

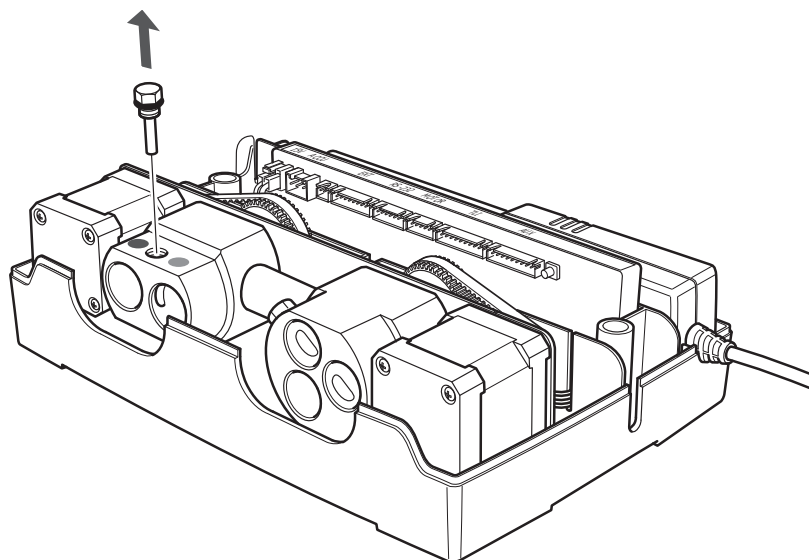


## 8 Install Valve System Controller

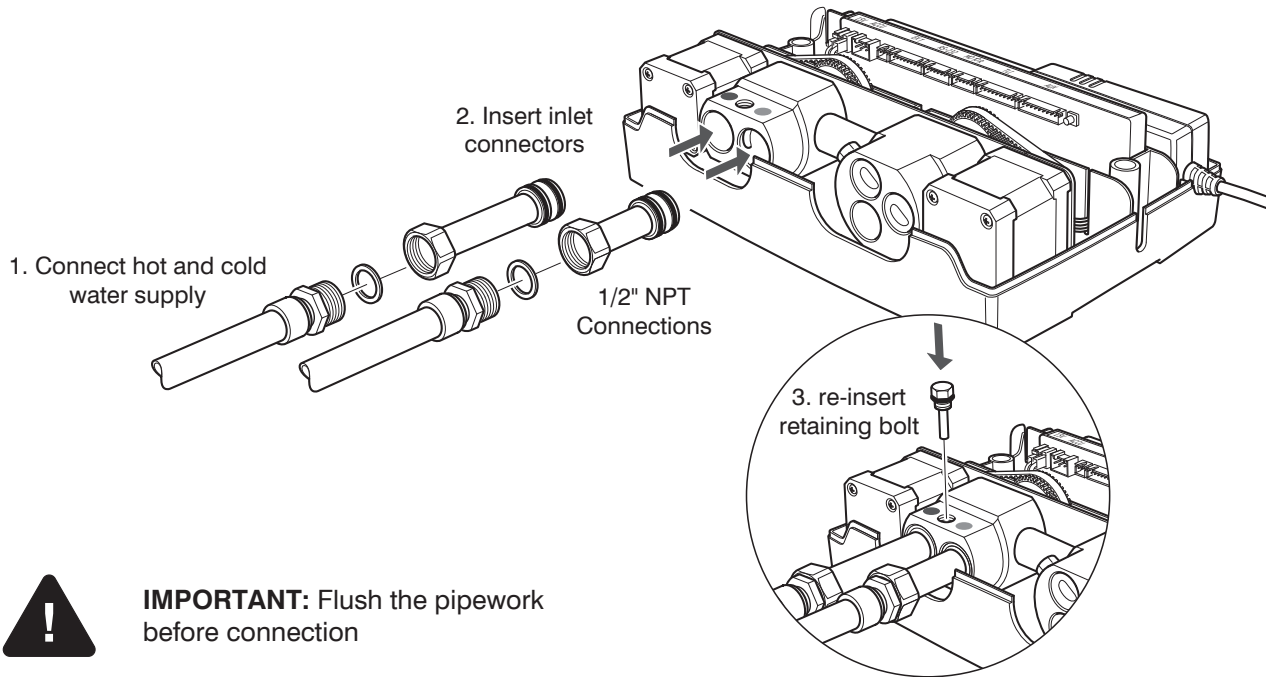


---

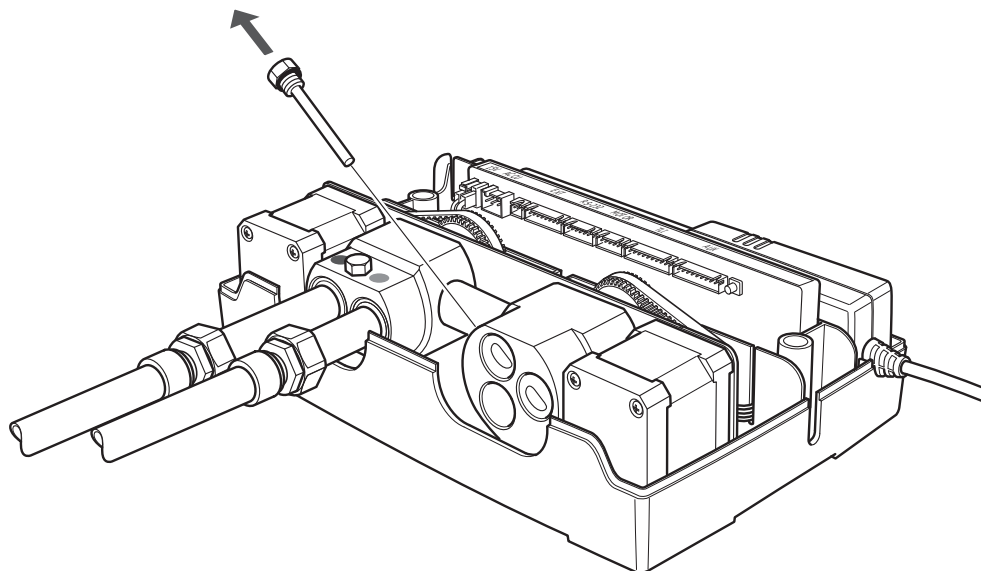
## 9 Remove Inlet Retaining Bolt



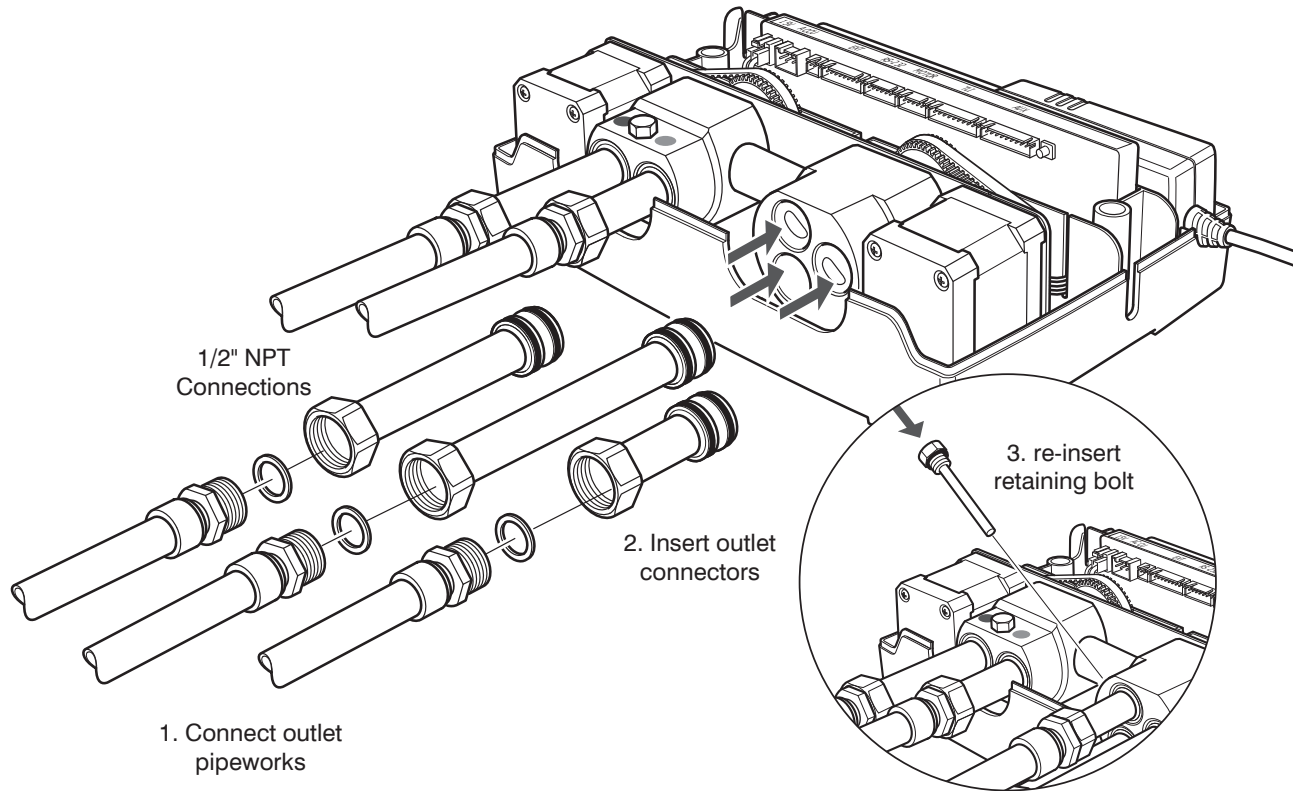
# 10 Connect Hot and Cold Water Supply



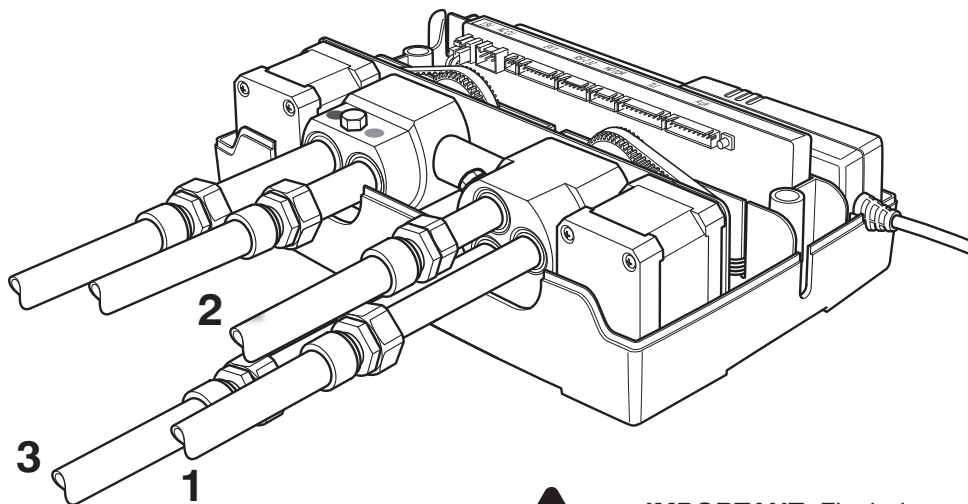
# 11 Remove Outlet Retaining Bolt



# 12 Connect Outlet Pipeworks

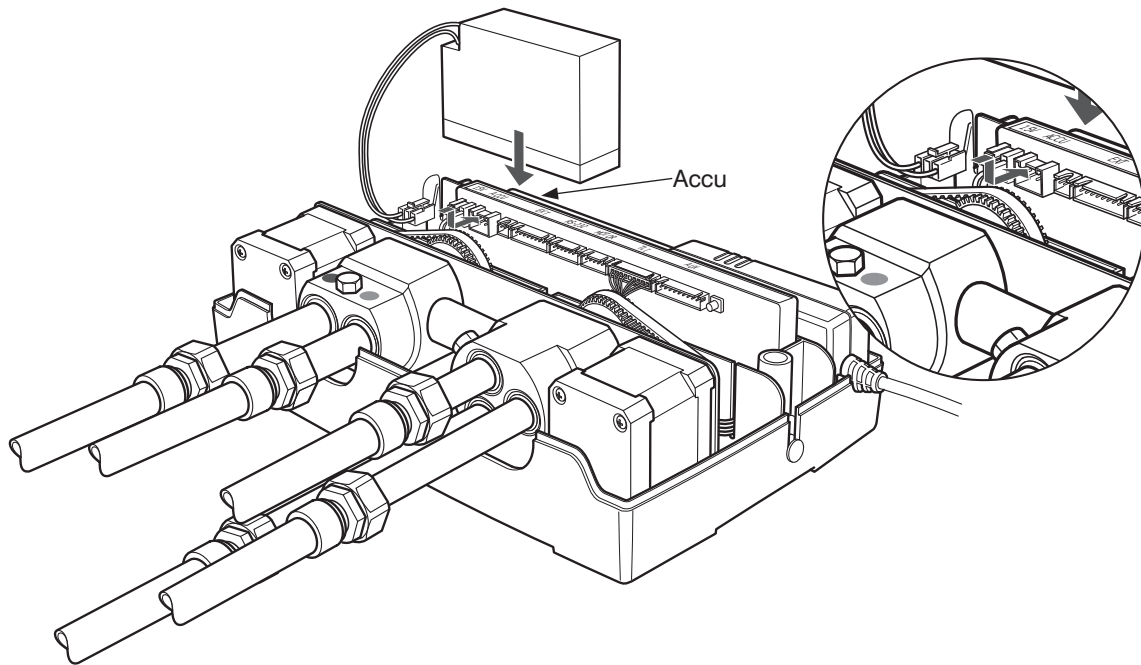


- 1
- 2
- 3

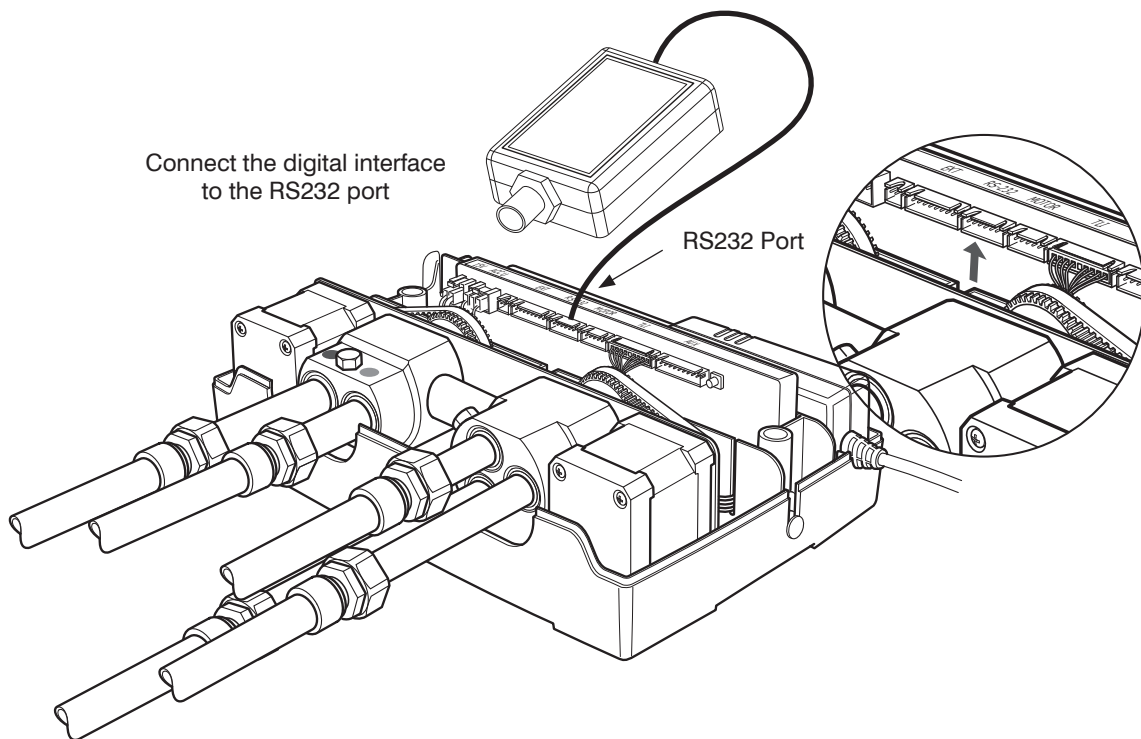


**IMPORTANT:** Flush the waterlines prior to connecting to clear any debris.

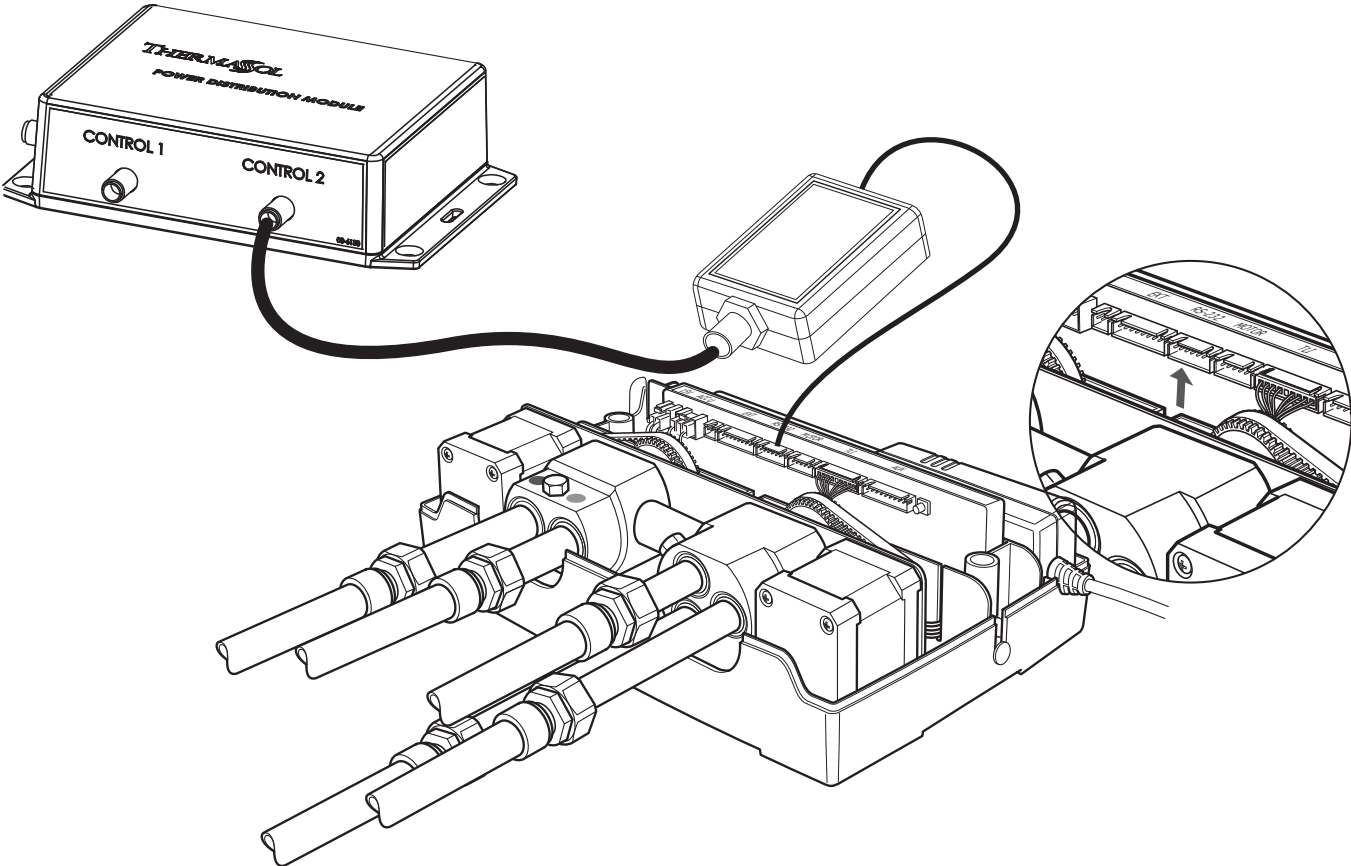
# 13 Connect Back Up Battery



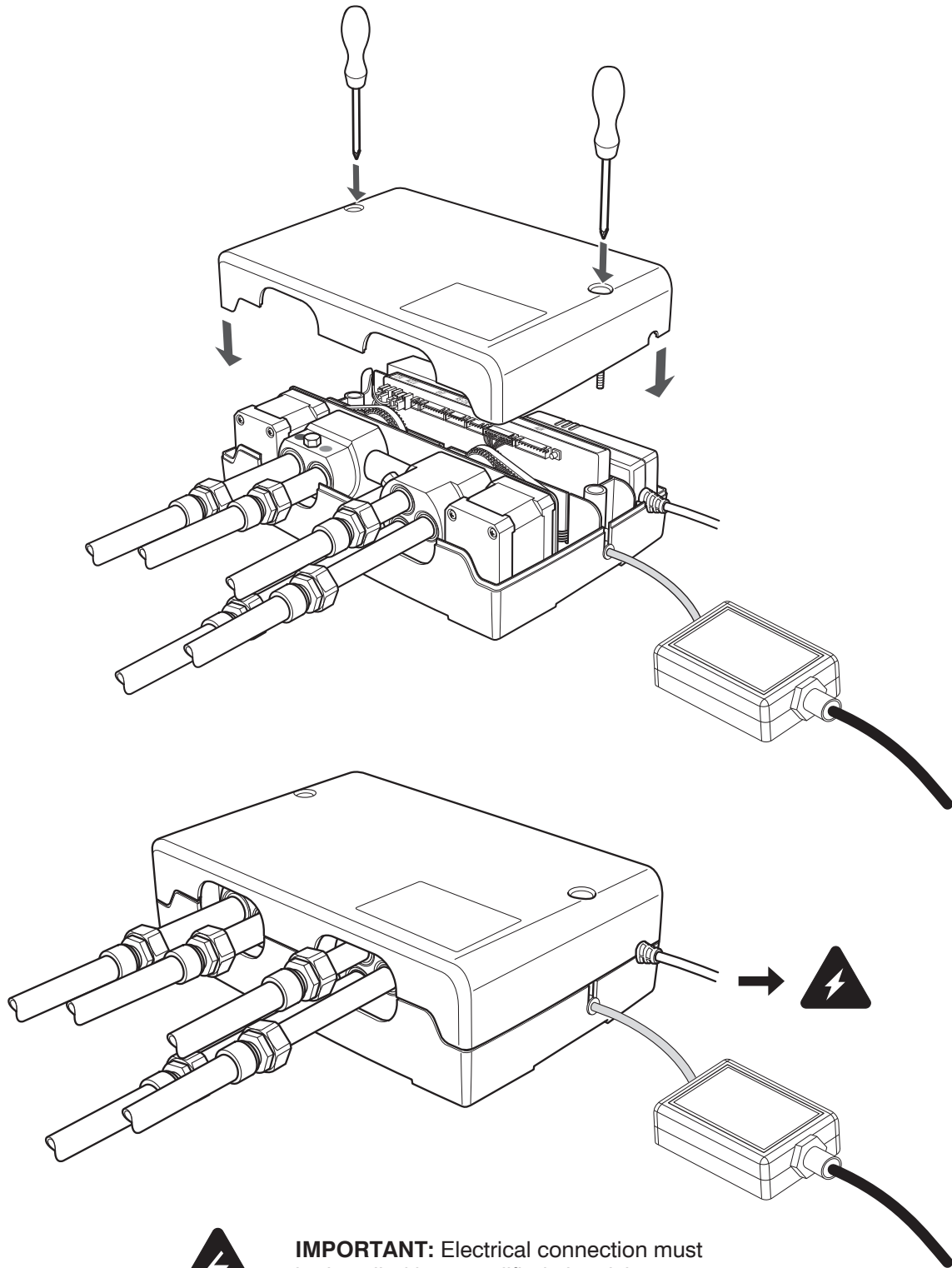
# 14 Connect The Digital Interface



# 15 Connect The PDM



# 16 Re-fit Cover and Connect



**IMPORTANT:** Electrical connection must be installed by a qualified electrician.

## ThermaSol Product Registration

Dear ThermaSol End User:

Please register your product at [www.thermasol.com/warranty](http://www.thermasol.com/warranty) so we can assist you much quicker if you ever need to contact our Technical Support Department.

In addition we'll keep you informed about your product and time to time we'll update you about new products and other company announcements.

Thank you from all of us at ThermaSol and we wish you many relaxing and steamy days ahead.

We will not sell, rent or share your personal information.



1958 Steam Way  
Round Rock, TX 78665



## Product Warranty

This warranty shall extend only to the original retail purchaser or end user of the product and are contingent on the proper use of the product in accordance with the instructions and specifications published by ThermaSol and shall not apply to any product that has been repaired or modified by persons other than approved by ThermaSol. Proof of purchase from Authorized Reseller will be required to start any warranty process except where prohibited by law. These warranties are not valid for any product that is sold with defaced or altered serial number, or for any product that was purchased used, refurbished, "as is", or in unknown condition.

All warranty claims must go through ThermaSol directly.

## Limited Warranty

ThermaSol extends to the original purchaser a 1-year limited warranty to repair or replace (at its discretion) Digital Shower Valve parts found to have manufacturing defects.

## Exclusions

These warranties will be terminated by ThermaSol for the following reasons:

1. Improper installation, such as installation that fails to observe National/Local Plumbing and/or Electrical codes.
2. Use of the system in a non-residential or commercial application, including a hotel.
3. Service to equipment by unauthorized personnel.
4. Installation that does not permit proper access for service.
5. Non-payment of repairs not covered under warranty.
6. Modification to any part of the unit.
7. Use of non-ThermaSol repair parts.
8. Alteration or removal of product serial number.

## Limitations

These warranties will be terminated by ThermaSol for the following reasons:

1. ThermaSol will not be liable in any way for any indirect, special, incidental, exemplary, or consequential damages resulting from the sale, delivery, installation or use of its products. Users are responsible for suitability of the products for their application. Damage resulting from improper specification or application or other operating conditions beyond ThermaSol's control is not under warranty.
2. ThermaSol will not exercise reasonable efforts in rendering service under these warranties, but shall not be liable for any damage arising out of delays; these warranties only cover the repair and/or replacement of ThermaSol product as specified by the warranty.
3. ThermaSol does not guarantee that a local service person will be available for in-home services. Unit may have to be removed and reinstalled at owner's expense. It is the responsibility of the buyer to file a claim with the carrier/carriers for any product that has shipping damage to or from ThermaSol. An EVA (Evaluation Number) must be obtained from the factory and used on any correspondence or packages sent to the factory.
4. THESE WARRANTIES ARE NON-TRANSFERABLE TO ANY OTHER PURCHASER OR PARTY OTHER THAN THE ORIGINAL PURCHASER FROM AN AUTHORIZED DEALER. THESE WARRANTIES ARE NOT VALID FOR ANY PRODUCTS SOLD USED, REFURBISHED, "AS IS", OR IN UNKNOWN CONDITION. NO OTHER AGENT OR PARTY CAN GIVE ANY OTHER WARRANTY OR PROMISE. THESE ARE THE SOLE WARRANTIES FOR YOUR THERMASOL PRODUCT, EXCEPT AS PROVIDED BY LAW.

These warranties give you specific legal rights and you may also have other rights, which may vary, from state to state. Determination of rights under these warranties is in accordance with the laws of Texas. Any dispute under these warranties must be submitted and resolved by arbitration in Texas.

**Notes:**

---

---

---

---

---

---

---

---

---

---

---

---

---

---

---

---

---

---

---

---

---

---

---

---

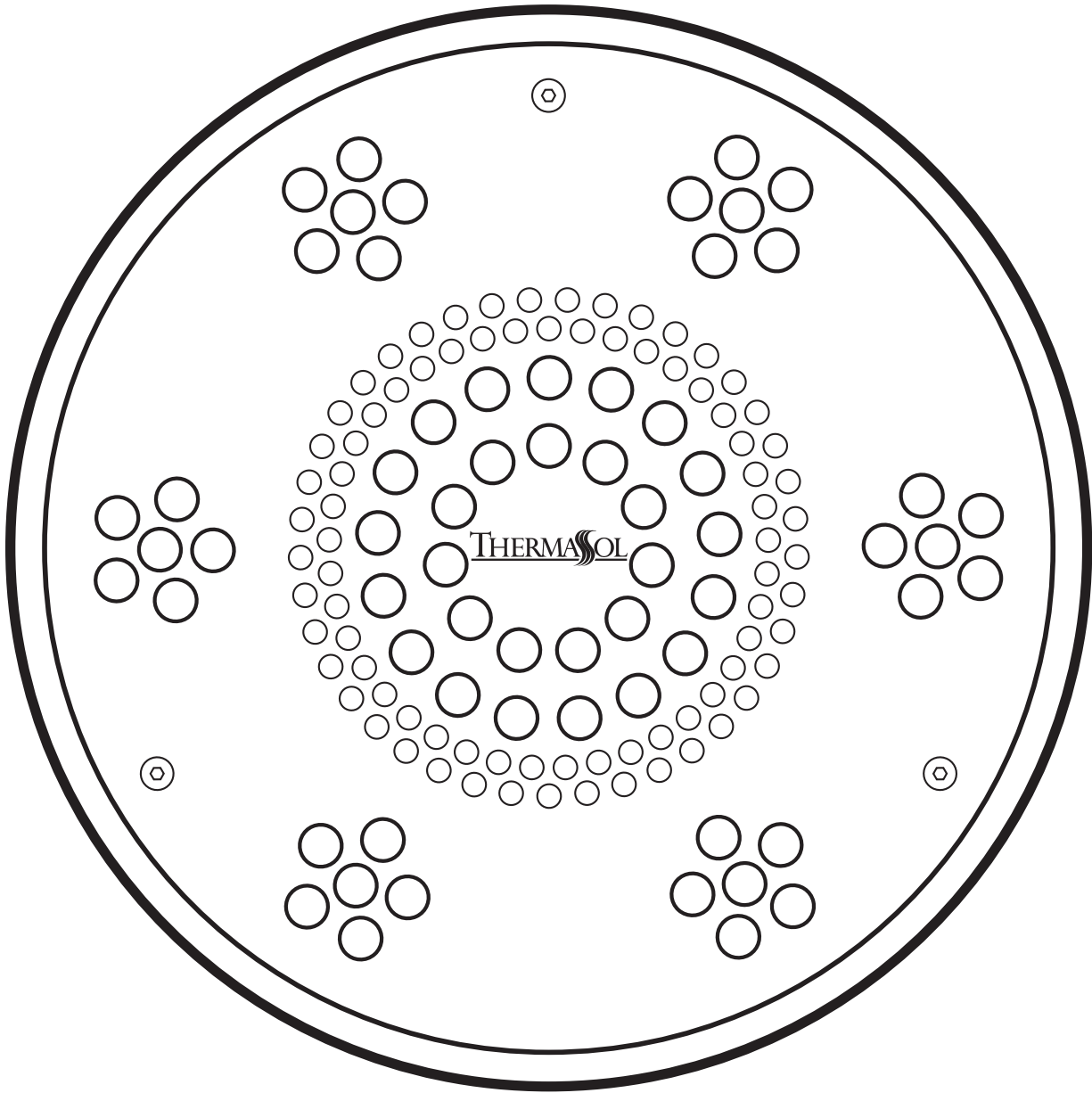
---

---

---

---





## Installation Manual

For Tutorials and Troubleshooting visit [www.thermasol.com/solutions](http://www.thermasol.com/solutions)

SLSRRD-XX, SLSSQ-XX

**THERMASOL**<sup>®</sup>

OVER 60 YEARS OF STEAM SHOWER INNOVATION

Serenity Light, Sound, Rain Head

# 1 Important Information Before You Install

PLEASE REVIEW WARNINGS BELOW AND LEAVE THIS MANUAL WITH HOMEOWNER

DO NOT USE THIS PRODUCT UNLESS YOU HAVE CONSULTED WITH YOUR DOCTOR AND RECEIVED WRITTEN PERMISSION TO DO SO. USE OF THIS PRODUCT MAY BE HAZARDOUS TO YOUR HEALTH.

PLEASE CONSULT YOUR PHYSICIAN BEFORE USING. IF YOU ARE PREGNANT, ELDERLY, HAVE HIGH BLOOD PRESSURE, DIABETES, SUFFERING FROM HEART DISEASE, ARE INTOXICATED, OR NOT IN GOOD HEALTH, DO NOT USE THIS STEAM BATH.

STEAM IS HOT! DO NOT TOUCH OR GO NEAR THE STEAMHEAD FROM THE TIME THE UNIT IS "ON," UP TO ONE HOUR AFTER IT HAS SHUT OFF. SEVERE BURNS WILL OCCUR IF YOU COME IN CONTACT WITH THE STEAMHEAD OR STEAM EMITTING FROM THE STEAMHEAD.

NEVER ATTEMPT TO FILL AROMA RESERVOIR ON THE STEAMHEAD WHEN UNIT IS IN THE "ON" POSITION. SEVERE BURNS WILL OCCUR.

DO NOT USE THERMASOL AROMATHERAPY OILS, SKIN CARE PRODUCTS OR ANY PRODUCT ASSOCIATED WITH YOUR THERMASOL UNIT WITHOUT CONSULTING WITH YOUR ALLERGIST OR DOCTOR BEFORE USE. THESE PRODUCTS MAY BE HAZARDOUS TO YOUR HEALTH.

DO NOT USE STEAM ROOM WHILE UNDER THE INFLUENCE OF ALCOHOL OR DRUGS, AS THIS CAN BE HAZARDOUS TO YOUR HEALTH.

YOUR SHOWER MAY BE A SLIP-AND-FALL HAZARD. CHECK WITH YOUR CONTRACTOR OR FLOORING MANUFACTURER REGARDING THE SAFE USE OF YOUR FLOORING IN A STEAM APPLICATION. SLIPPING AND FALLING INTO THE STEAMHEAD ITSELF OR INTO THE STREAM OF STEAM EMITTING FROM THE STEAMHEAD WILL CAUSE SERIOUS BURNS OR PHYSICAL INJURY.

IF YOU ARE FEELING UNCOMFORTABLE, DIZZY, FAINT, OR STARTING TO FALL ASLEEP, IMMEDIATELY EXIT THE STEAM ROOM.

DO NOT USE STEAM ROOM IF YOU ARE UNDER THE AGE OF 16 UNLESS SUPERVISED BY AN ADULT.

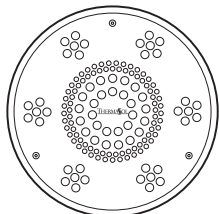
THERMASOL STEAM BATH GENERATORS ARE NOT DESIGNED TO BE USED FOR SPACE HEATING PURPOSES.

THERMASOL STEAM BATH GENERATORS ARE FOR INDOOR USE ONLY. THEY SHOULD NEVER BE LOCATED OUTSIDE THE HOME.

ALL PRODUCTS MUST BE INSTALLED IN ACCORDANCE WITH INSTALLATION INSTRUCTIONS PROVIDED. FAILURE TO DO SO MAY INVALIDATE WARRANTY AT MANUFACTURER'S DISCRETION. ©2016 THERMASOL.

# 2 Tools and Materials

Parts Enclosed:



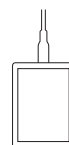
**Serenity Light, Sound,  
Rain Head fixture and hardware**  
Item SLSRX-XX



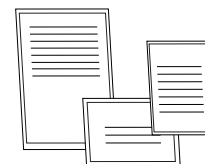
**Silicone**



**25-foot Yellow M12 Cable**  
Item 03-7149-25



**Bluetooth Module**



**Installation instructions**

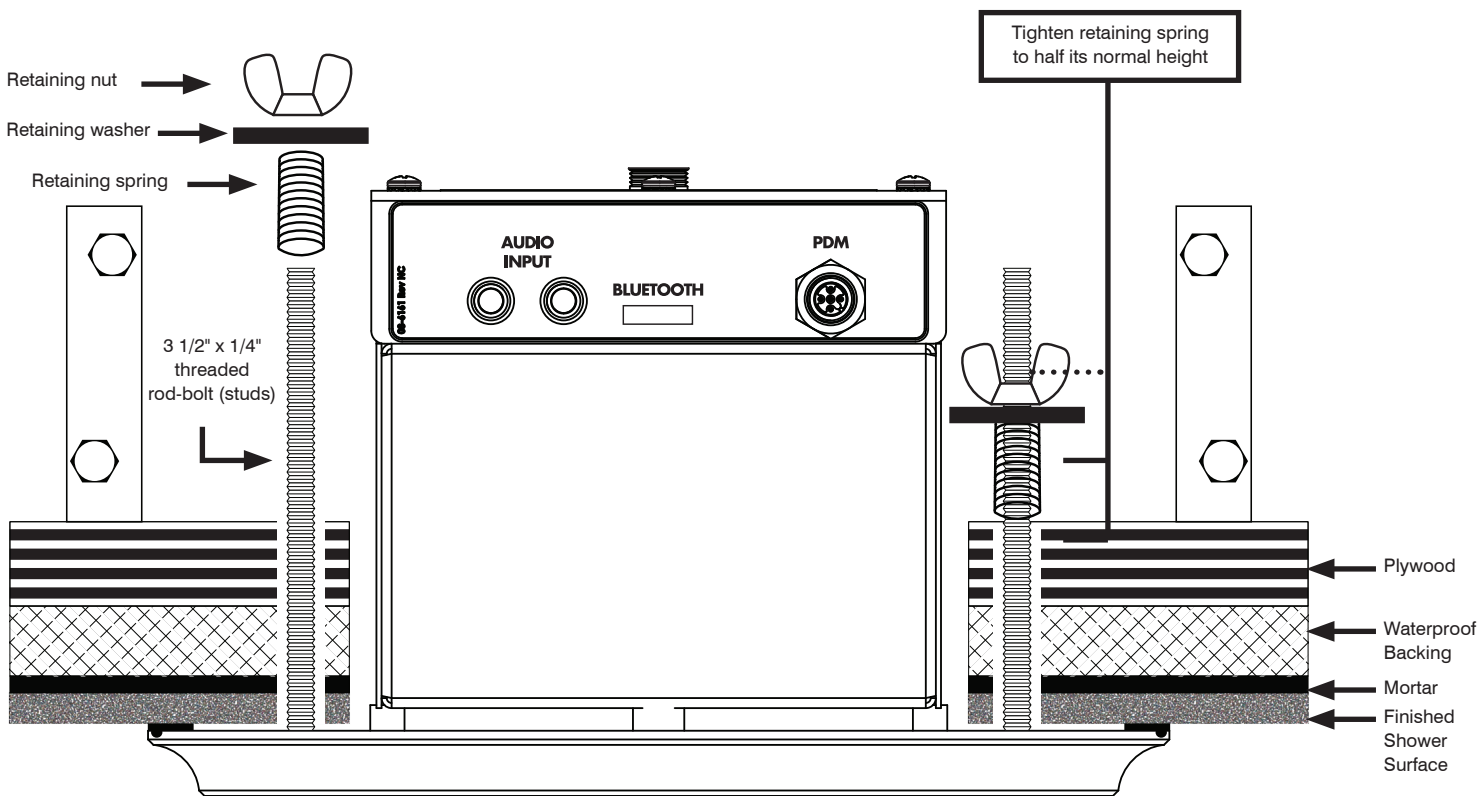
**Compatible controls:**

- ThermaTouch 7" and 10"
- SignaTouch Control
- Signature Control

**Materials needed:**

- PDM (Item 10-8147)
- Compatible controller
- Drill
- 7/16", 1/2" and 1-1/2" Drill Bits

- Tile Cutter
- Ply Wood Backing Board
- 36" long 3/8" Compression Flexible Water Line
- Separate water volume control diverter with shut off valve



(Fig. 1) Installation Profile View

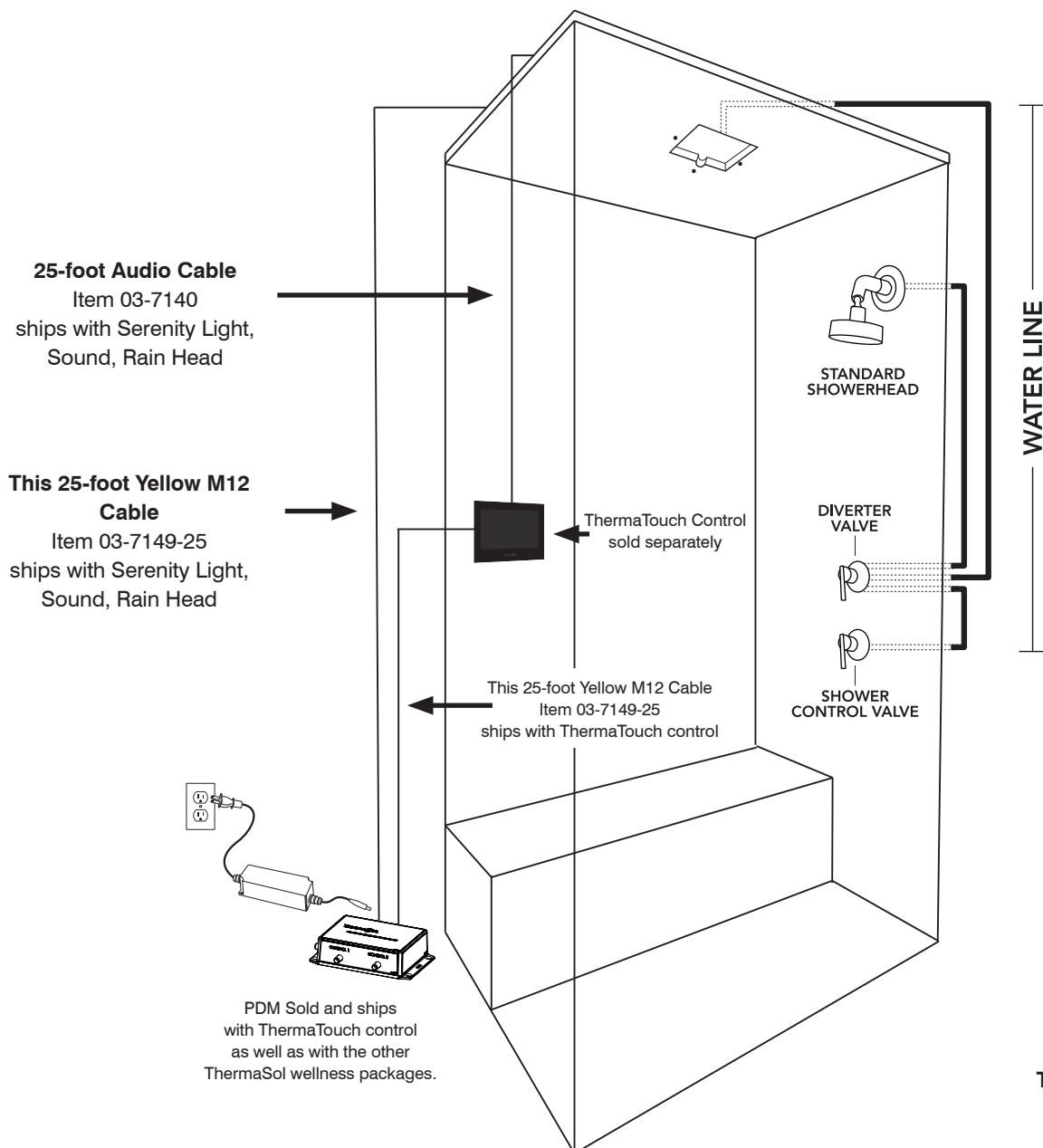
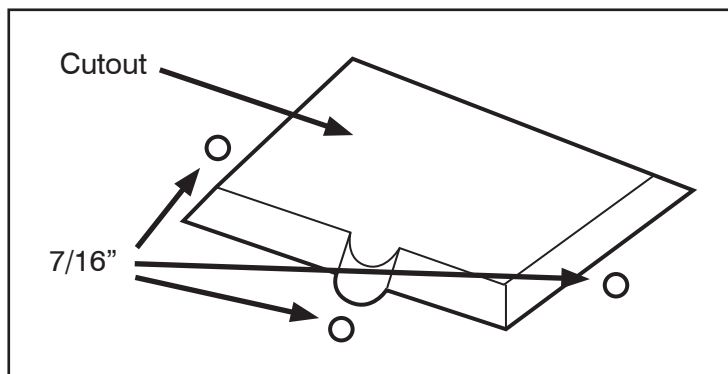
# 3 Placing and Cutting Template

After completing the shower construction and running the necessary cables, water supplies and etc. using template included in these instructions (page 8) proceed to:

- After choosing the desired location, use the printed template to drill the three 7/16" holes
- Then proceed cutting the cutout

Note: Template must be printed out at actual size.

Install suitable wood support between joists.

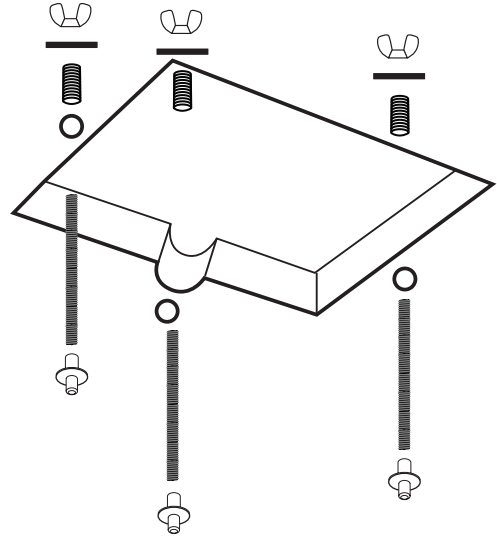


Template (see back cover)

## 4 Mounting Hardware

- Connect the 3 1/2" x 1/4" all-thread rod bolts (studs) together with supplied couplings.
- Insert the 3 1/2" x 1/4" studs from the shower side into the 7/16" pre-drilled holes. Hold it in place while from the top side of the cut out insert supplied spring, washer and secure it with provided wing nut.
- Tighten retaining spring to half its normal height (shown on page 3)

Repeat the above steps for all three studs

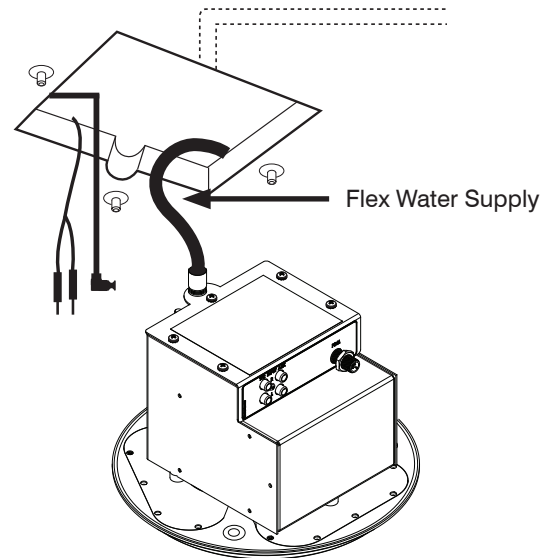


## 5 Connecting Water Supply

**NOTE:** Make sure to flush out any debris from the pipe before connecting the fixture!

You will need a 36" flex water supply that connects to your water pipe that you plumbed for the Rain Head. The connection to the Rain Head needs to be 3/8" compression. Please connect the 36" flex water supply from the water source to the Rain Head. Do NOT over tighten.

Slowly open the water and check for leaks before proceeding.

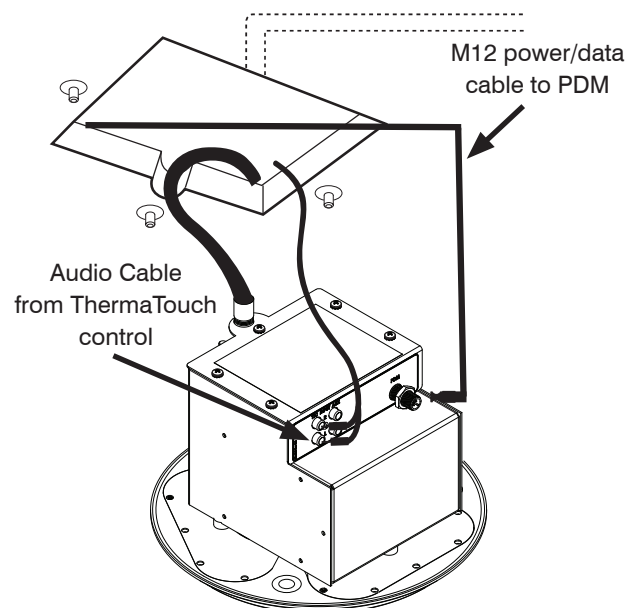


## 6 Connecting Cables

Connect the Audio cable that is connected to the ThermaTouch control.

- Red to (R), White to (L), and make sure that both cables are connected to the same Input "1" or Input "2".
- At this point IF you have any other audio source to be connected please do it now to the open Input on the Rain Head.
- Next, connect the M12 power/data cable that runs or will run to the Power Distribution Module (PDM).

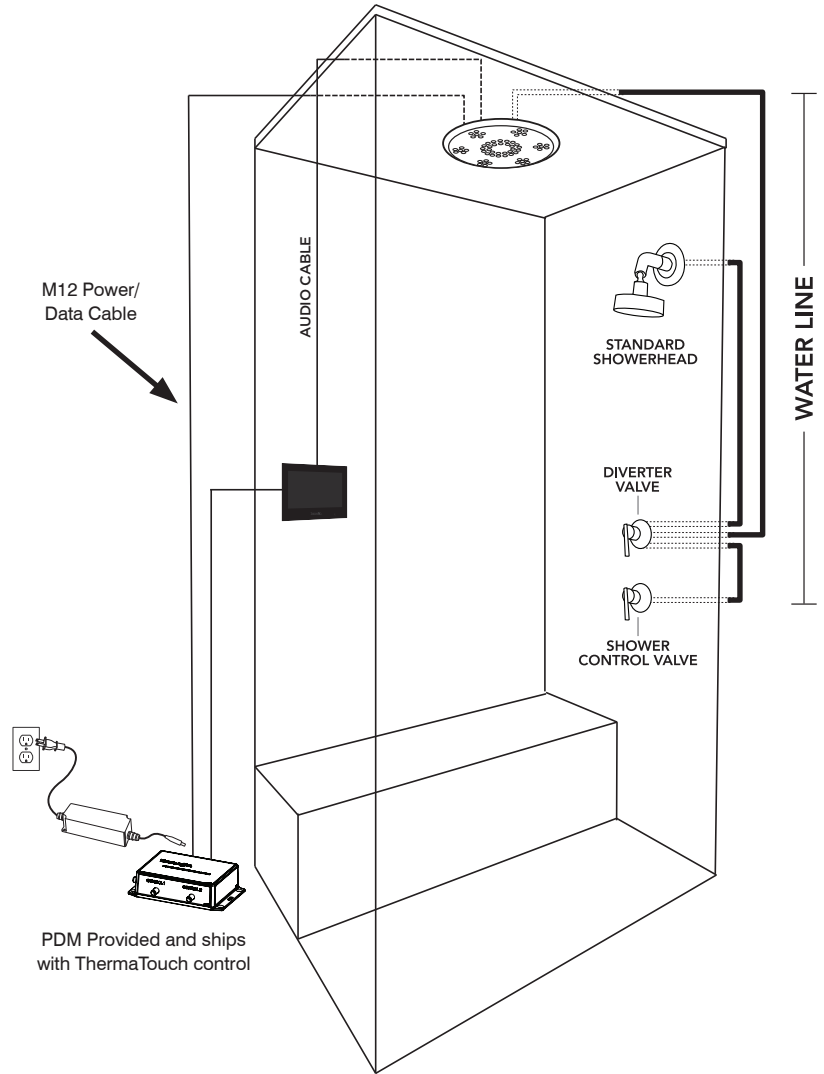
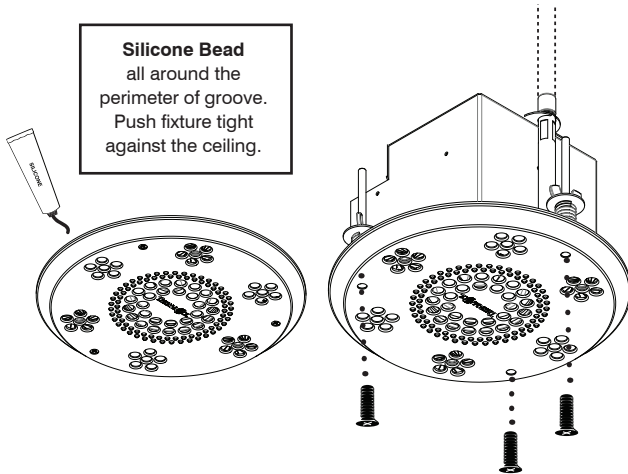
**NOTE:** Make sure that the "L" shaped end of M12 cable is connected to the Rain Head





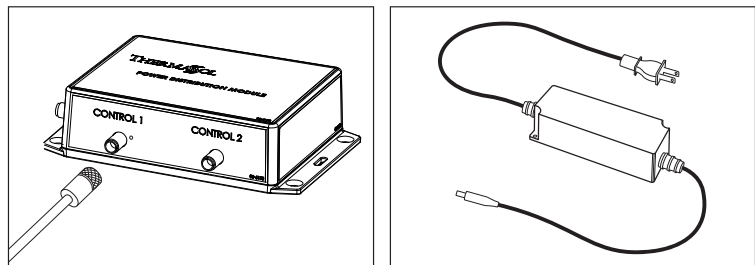
# 7 Securing Serenity Rain Head

- Carefully conceal in attic space any extra lengths of the cables or the water supply above the shower area. Align the Rain Head fixture to the three couplings. Make sure that the Rain Head will fit perfectly and flush with the ceiling. **IF** needed please adjust the studs and couplings to assure perfect fit.
- After you confirmed that the three couplings will perfectly align and Rain Head will be flush with the finished ceiling material apply silicone around center groove on back of the fixture. Push fixture tight against ceiling.
- Use the three provided screws and secure them into the fixture which will connect with the couplings. Tighten them carefully so you don't cross thread them or you don't damage the fixture.
- Allow silicone to dry for 24 hours.

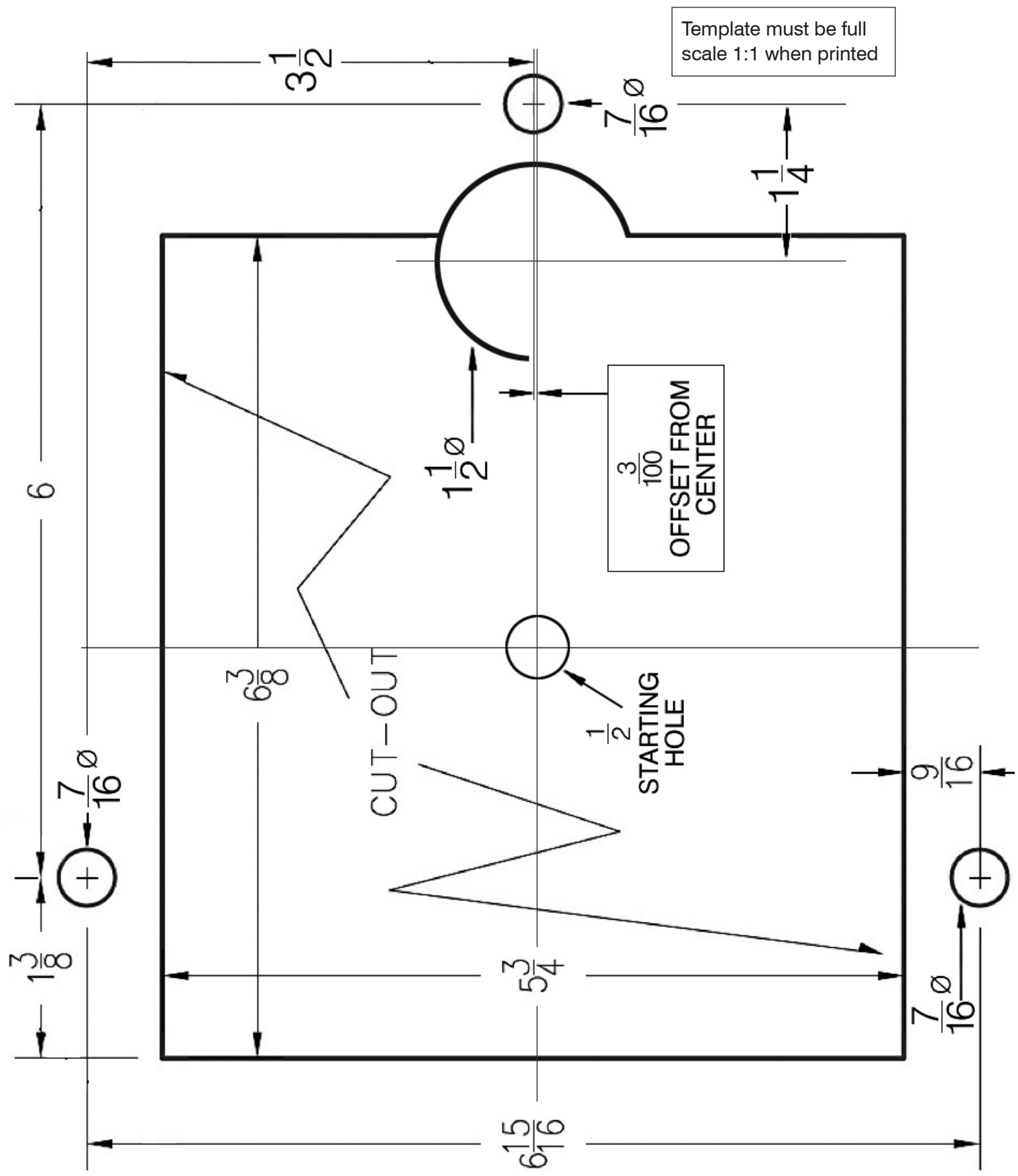


# 8 Connecting to Power Distribution Module (PDM)

- Make sure that the M12 power/data cable is connected from the Rain Head to PDM
- PDM must be plugged in to standard 110V electrical outlet
- If your control is plugged in and powered ON you can test the lights and etc.



Template must be full scale 1:1 when printed



7 6 5 4 3 2 1

# THERMASOL<sup>®</sup>

*Superior Steamshower Systems*



---

1958 STEAM WAY ROUND ROCK, TX 78665  
PHONE: 800.776.0711 | FAX: 800.556.5257 | WWW.THERMASOL.COM

# THERMASOL®

*Steam & Showering Systems*

